

CONDUCTOR									
COML AWG	AIRC FT MIL-W-5086 NAVY-MAL-E-16366B	CATALOG NUMBER	FIG.	O.D.	B	L ±.035	INSTALLATION TOOL INDEX NO.	REFERENCE	ORDNANCE PART NO.
22-18	AN - 22 - AN - 18 N1 - N2	YSV18	1	.12	.25	.62	36	FA19360	573173
22-18	AN - 22 - AN - 18 N1 - N2	YSV18H	2	.12	.22	.890	36	FA19361	
20-14	AN - 20 - AN - 14 N2 V2 - N4 12 SOL.	YSV14	3	.16	.25	.635	36	FA19362	573174
20-14	AN - 20 - AN - 14 N2 V2 - N4 12 SOL.	YSV14H	4	.16	.24	.94	36	FA19363	8415457
12-10	AN - 12 - AN - 10 N6 - N9	YSV10	3	.21	.31	.75	36	FA19364	573175
12-10	AN - 12 - AN - 10 N6 - N9	YSV10H	4	.21	.31	1.06	36	FA19365	
12-10	AN - 12 - AN - 10 N6 - N9	YSV10G8	4	.21	.31	1.06	36	FA39275	
8	AN - 8 STR N23	YSV8CG5	3	.27	.44	1.00	38	FA19580	
8	AN - 8 STR N23	YSV8CL	3	.27	.44	1.00	38	FA19580	7992541
	AN - 6 STR.	YSV6CL	3	.31	.50	1.12	39	FA19581	
	AN - 4 STR.	YSV4CL	3	.38	.50	1.12	40	FA19582	7689511
	AN - 2 STR.	YSV2CL	3	.46	.62	1.406	41	FA19583	
	AN - 1 STR.	YSV1CL	3	.51	.62	1.46	42	FA19584	7984500
	AN 1/0 STR.	---						---	
	AN 1/0 STR.	YSV25L	3	.56	.69	1.531	43	FA19585	
	AN 2/0 STR.	---						---	
	AN 2/0 STR.	YSV26L	3	.63	.81	1.781	44	FA19408	
	AN 3/0 STR.	---						---	
	AN 3/0 STR.	YSV27L	3	.70	.81	1.81	45	FA19624	
	AN 4/0 STR.	---						---	
	AN 4/0 STR.	YSV28L	3	.77	.88	1.94	46	FA19814	
9	AN - 9 STR.	YSV9CL	3	.23	.31	.75	92	FA13231	

REV	DATE	DESCRIPTION	ECO	BY	CHK.
A	02/16/2012	*DRP* DOCUMENT RE-DRAW PROCESS	26767	MRA	MB

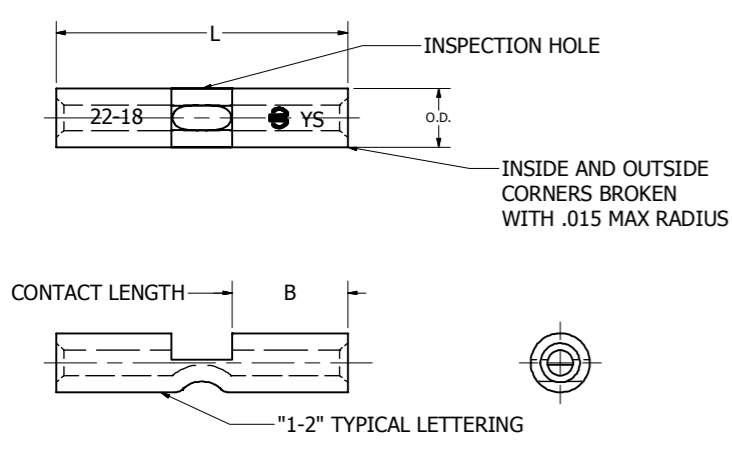


FIG. 1

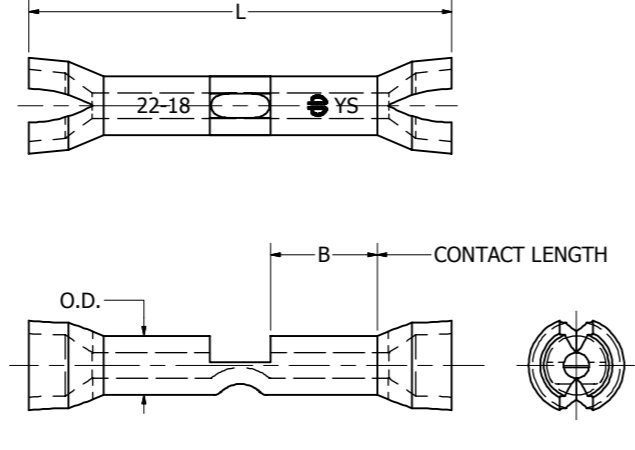


FIG. 2

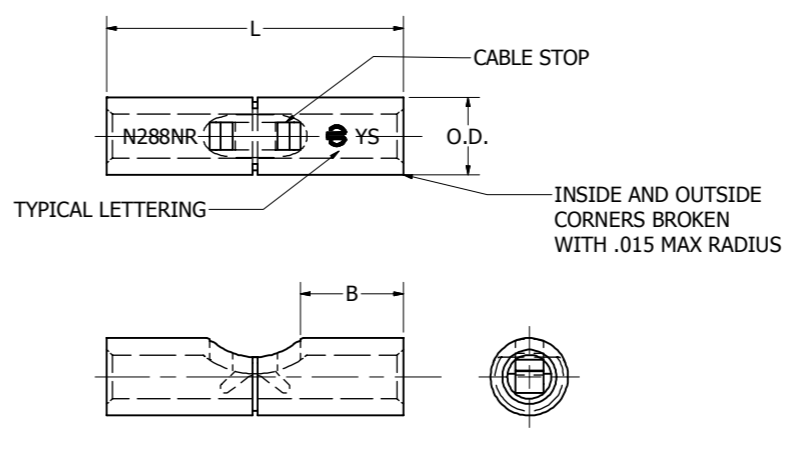


FIG. 3

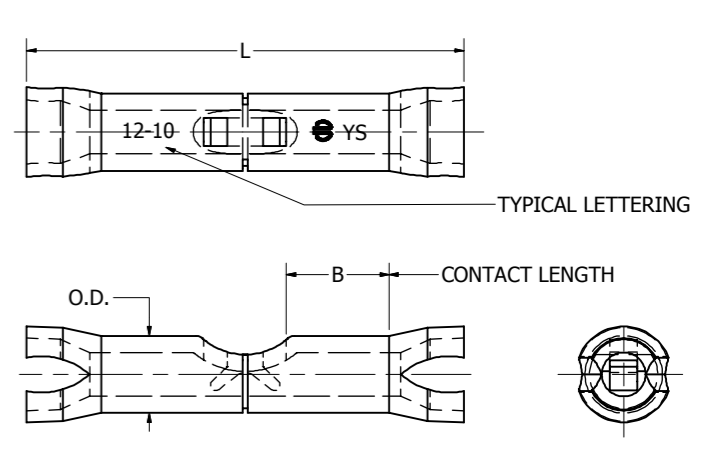


FIG. 4

REFERENCE: SC10137, SC200297.  
 SUPERSEDES: SA36487-0, SC10058-33 & A9242-6.

- NOTES:
- ONE INDENTATION USED ON EACH END ON ALL CABLE.
  - NO LETTERING ON HYLINK™
  - MATERIAL: COPPER.
  - FINISH: TIN PLATED.

TO ORDER BURNDY PRODUCTS CALL		HYLINK™	
UNITED STATES 1-800-346-4175 (LONDONDERRY, NH)		ITEM NO: SEE TABLE	
CANADA: 1-800-361-6975 (QUEBEC) 1-800-387-6487 (ALL OTHER PROVINCES)		CAT. NO: YSV, YSVL & YSVH TABLE	
FOR PRODUCT INFO: <a href="http://www.burndy.com">http://www.burndy.com</a>		DRAWN BY: J.E.S 4/10/1980 CHECKER: AM 4/14/1980 DSN APRVL: G.Z. 4/16/1980 MFG APRVL: -- QA APRVL: -- MKT APRVL: --	
PROJECT #:	SIZE	DRAWING NO	
DOCUMENT TYPE: Sales	D	SD010058-01	A
REL LEVEL: Released		SHEET 1 OF 1	

## X-ON Electronics

Largest Supplier of Electrical and Electronic Components

*Click to view similar products for [Terminals](#) category:*

*Click to view products by [FCT Electronics](#) manufacturer:*

Other Similar products are found below :

[HT-13-10](#) [71M-250-32-NB](#) [01-2065-1-0216](#) [00581P0075](#) [M10-10RX](#) [M10BCK](#) [60205-1](#) [604200-1](#) [60598-1-CUT-TAPE](#) [60617-1-C](#) [60873-1](#) [M14-516R/SK](#) [M14-6RSX](#) [M18-10FLX](#) [M18-8FBX](#) [M18-8R/LX](#) [M18BCK](#) [61314-6-C](#) [61-S](#) [61-SN-A](#) [62-NBM-A](#) [63-S](#) [640179-1](#) [640917-2-CUT-TAPE](#) [6501550002](#) [66107-2-C](#) [696683-1](#) [696834-1](#) [696861-1](#) [696931-1](#) [696999-1](#) [M8-516RK](#) [M86700006](#) [MA250DMFMX-A](#) [701-2007](#) [701-2307](#) [701-7761-03](#) [70F-110-32-PB](#) [718-N-A](#) [71M-187-20-NBL](#) [71M-250-32-NBL](#) [72F-187-20-NBL](#) [72M-250-32-NBL](#) [7310](#) [73F-250-32](#) [73F-250-32-NBL](#) [73F-250-32-NL](#) [F14-10C](#) [F-1M](#) [751-250](#)