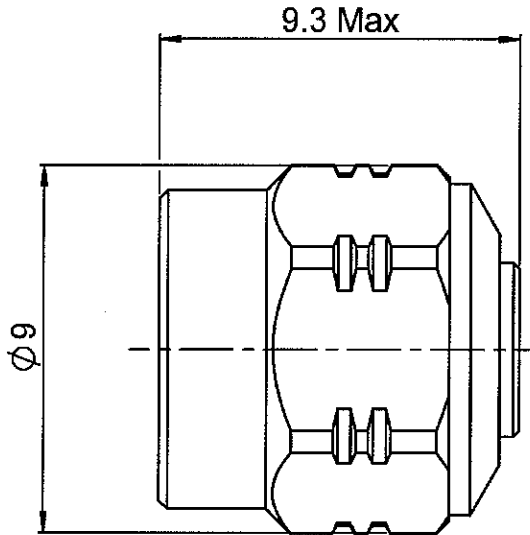


COAXIAL TERMINATION SMA MALE

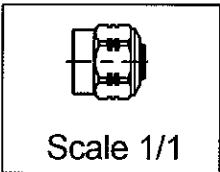
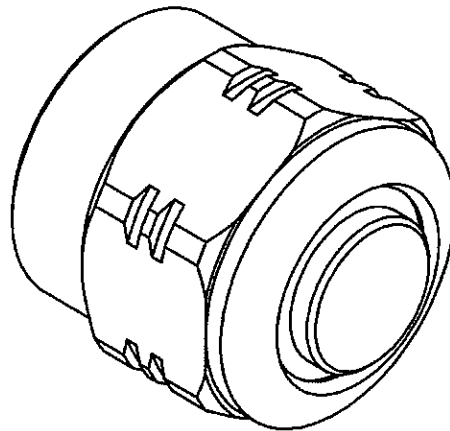
1W 4GHZ PACK 500

R404.101.000

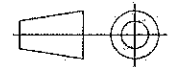
Series : **CHARGE**



Packaging by : 500
 Single packaging : W option
 Other : Contact us



dimensions are in mm.



COMPONENTS	MATERIALS	PLATINGS (µm)
BODY	BRASS	NICKEL 2
CENTER CONTACT	BRASS	GOLD 0.5 OVER NICKEL 2
OUTER CONTACT		
INSULATOR	PTFE	
GASKET	SILICONE RUBBER	
OTHERS PARTS	BRASS	BBR 2

Issue : 0449 E

In the effort to improve our products, we reserve the right to make changes judged to be necessary.



COAXIAL TERMINATION SMA MALE

1W 4GHZ PACK 500

R404.101.000

Series : **CHARGE**

ELECTRICAL CHARACTERISTICS

Frequency	DC-1	GHz	1-4	GHz	GHz	GHz	GHz
V.S.W.R	≤1.08		≤1.20		≤		≤

Impedance 50 Ω
 Average power at 25°C 1 W
 Peak power at 25°C 100 W

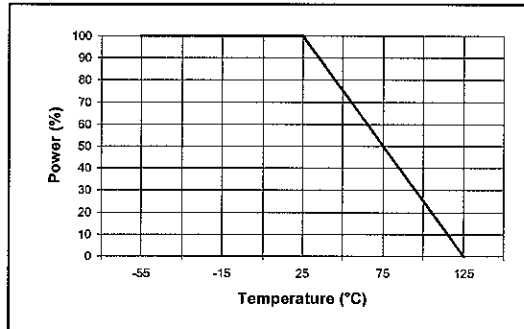
MECHANICAL CHARACTERISTICS

Connectors SMA Male
 Coupling torque 60 N.cm
 Mating life 100 Cycles mini.
 Weight 1.000 g

ENVIRONMENTAL

Operating temperature range -55/+125 °C
 Storage temperature range -55/+125 °C

Power derating
 Versus temperature



SPECIFICATION

OTHER CHARACTERISTICS



X-ON Electronics

Largest Supplier of Electrical and Electronic Components

Click to view similar products for [radiall](#) manufacturer:

Other Similar products are found below :

[F760858219](#) [8959-1511-004](#) [5919-1503-000](#) [7101-1541-010](#) [7105-1561-010](#) [MD11-035](#) [81-6201-0450](#) [9074-9513-000](#) [9620-9003-151](#)
[R113425097](#) [R114305000W](#) [R124075210](#) [R125055000](#) [R125512000W](#) [R141154000W](#) [R141572000](#) [R143012000](#) [R143235161W](#)
[R166268000](#) [R176019000](#) [R191841001W](#) [R282102000](#) [R282744220](#) [R282918120](#) [R404770000](#) [R414430150](#) [R414520150](#) [R433514700](#)
[R570022105](#) [R570123005](#) [R570363010](#) [R570442000](#) [R570E52010](#) [R574402410](#) [R585423230](#) [R114425000](#) [R124510000](#) [R125052500](#)
[R125320020W](#) [R141331500W](#) [R162017000W](#) [R176404000](#) [R191970091](#) [R282120010](#) [R282750000](#) [R317270000](#) [R404110150](#)
[R404280150](#) [R404755000](#) [R413210150](#)