

Customer Information Sheet

DRAWING No.: R40-671XX94

SHEET 2 OF 2

IF IN DOUBT - ASK

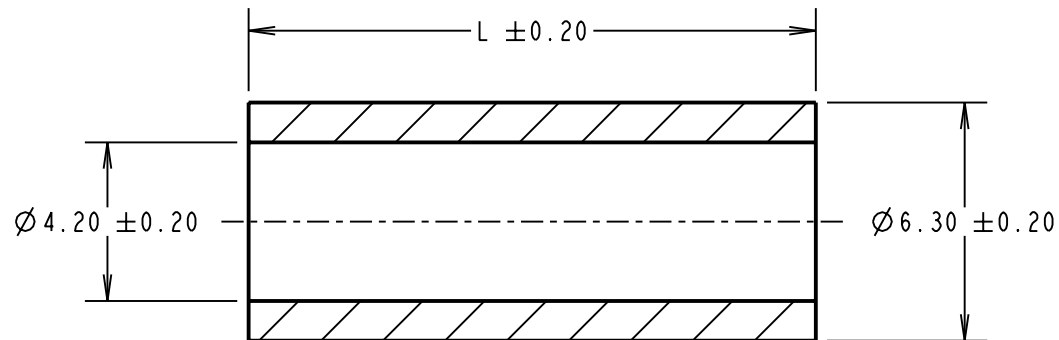
(C)

NOT TO SCALE

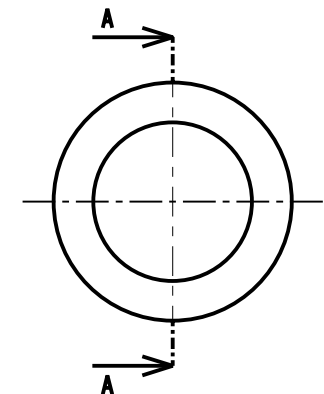
THIRD ANGLE PROJECTION

ALL DIMENSIONS IN mm

PART No.	L
R40-6710394	3.00
R40-6710494	4.00
R40-6710594	5.00
R40-6710694	6.00
R40-6710794	7.00
R40-6710894	8.00
R40-6710994	9.00
R40-6711094	10.00
R40-6711194	11.00
R40-6711294	12.00
R40-6711394	13.00
R40-6711494	14.00
R40-6711594	15.00
R40-6711694	16.00
R40-6711894	18.00
R40-6712094	20.00
R40-6712594	25.00
R40-6713094	30.00



SECTION A-A



ORDER CODE:

R40-671XX94

LENGTH L IN mm

CP	4	24.02.10	10676
NAME	ISS.	DATE	C/NOTE
APPROVED: C.PENROSE			
CHECKED:		R.ADDE	
DRAWN:		A.J.F	
CUSTOMER REF.:			
ASSEMBLY DRG:			

HARWIN

THIS DRAWING AND ANY INFORMATION OR DESCRIPTIVE MATTER SET OUT HEREON ARE CONFIDENTIAL AND COPYRIGHT PROPERTY OF THE HARWIN GROUP AND MUST NOT BE DISCLOSED, LOANED, COPIED OR USED FOR MANUFACTURING, TENDERING OR FOR ANY OTHER PURPOSE WITHOUT THEIR WRITTEN PERMISSION.

TOLERANCES

X. = ±1mm
 X.X = ±0.25mm
 X.XX = ±0.10mm
 X.XXX = ±0.01mm

ANGLES = ±5°
 UNLESS STATED

MATERIAL:

NYLON 66 - WHITE

FINISH: CLEAN

S/AREA: mm²

TITLE:

M4 CLEARANCE
 CIRCULAR SPACER

DRAWING NUMBER:

R40-671XX94

HARWIN USA
 TEL: 603 893 5376
 FAX: 603 893 5396
 mis@harwin.com

HARWIN Europe (UK)
 TEL: 023 9231 4545
 FAX: 023 9231 4590
 mis@harwin.co.uk

HARWIN Asia
 TEL: +65 6 779 4909
 FAX: +65 6 779 3868
 mis@harwin.com.sg

SHT
 2 OF 2

X-ON Electronics

Largest Supplier of Electrical and Electronic Components

Click to view similar products for [harwin](#) manufacturer:

Other Similar products are found below :

[M20-1160046](#) [G125-MC12005L4-0150M](#) [M80-4711005](#) [M80-4801642](#) [M80-5711005](#) [M80-9403405](#) [Z1023-00](#) [G125-MH15005L7P](#) [M80-8412042](#) [M80-8662622](#) [M80-5400622](#) [M22520-02-01](#) [M20-9760742](#) [Z80-292](#) [Z30-021](#) [DEV-001](#) [M20-9752046](#) [M80-4801605](#) [Z50-020](#) [G125-MS12605M2P](#) [G125-FV12005F1P](#) [G125-9641600](#) [M80-4D10605F2-02-327-00-000](#) [G125-FC11005F0-0450L](#) [G125-FC11005F1-0150F1](#) [M80-4051605](#) [M80-FC325F1-04-0300L](#) [M80-5T10622MC](#) [M80-5T10805M2-02-331-00-000](#) [M80-FC23468FC-0150L](#) [M80C150968C](#) [M80-4122042](#) [M80-4123442](#) [M80-5000000M3-10-332-00-000](#) [M80-9400605](#) [M80-9424205](#) [M80-MV311M2-06](#) [H2039-01](#) [M20-9970845](#) [M80-4201442](#) [Z80-300](#) [Z1022-00](#) [M83-LFT1F2N27-0000-000](#) [M83-LFT1F2N36-0000-000](#) [M80-8771722](#) [M80-8871001](#) [M22520/2-01](#) [Z80-259](#) [Z125-9265000](#) [Z125-9263400](#)