

# Insulation Housings

## 250 Series

### Model Allocation Number

**CS-63 N 0 02**

**Series Code**

28 .... 110 Series  
48 .... 187 Series  
50 .... 197 Series  
63 .... 250 Series  
ISO .. ISO Series  
LK .... Lok Series  
SEK .. Self Locking Series  
TP .... Low Insertion Series

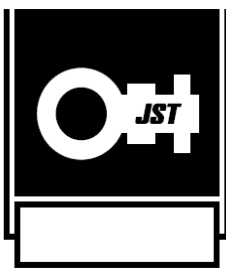
**Material Code**

N ..... Polyamide  
F ..... Polyethylene  
S ..... Polycarbonate V0  
B ..... Polycarbonate V2  
PBT .. Polybutylene Terephthalate

**Sub Series**

**Colour Code**

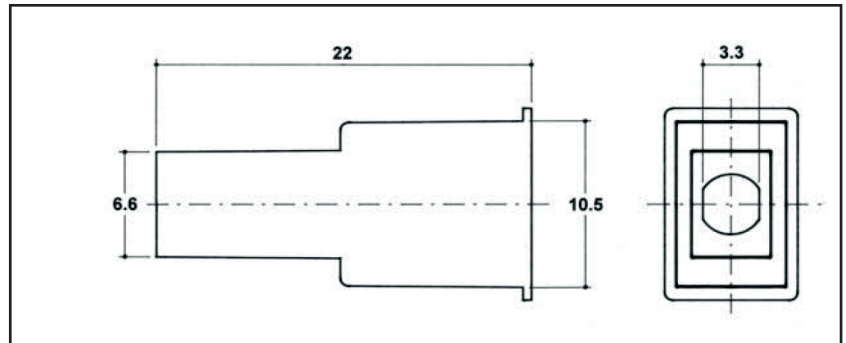
0 ..... Natural  
1 ..... White  
2 ..... Yellow  
3 ..... Red  
4 ..... Green  
5 ..... Black  
6 ..... Blue  
VI .... Violet  
MR ... Brown



# 250 SERIES

Insulation housings for terminals

## 03 Type (Straight) Housing <Made in Europe>

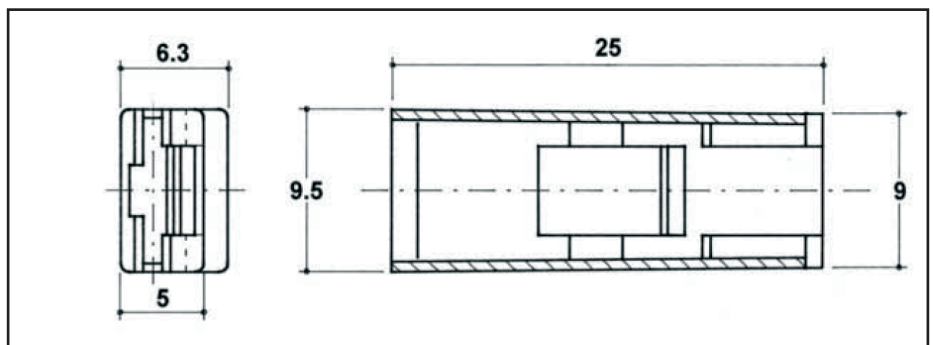


JST File No. E172855

Part No	Standard	Description	Material	Max Operating Temp °C	Applicable JST Terminal	Applicable Mating Housing
CS-63F003	JST	Single Circuit Housing	PE (UL94-HB)	50	SOM-(*)-(*)-250(*)-(*)-(*)-(*)	CS-63F004
01016 (CS-63N003)			Nylon 66 (UL94-V2)	130		01022-250 (CS-63N004), CS-63N004.02, CS-63N004F
CS-63N003V0			Nylon 68 (UL94-V0)	140		CS-63N004V0, CS-63N004.02V0 CS-63N004FV0

- Note:
- 1) Colour coding: 0=Natural, 3=Red, 4=Green, 5=Black, 6=Blue. Example CS-63N503 = Black Housing.
  - 2) Example applicable JST Terminal; SOM-51T-250
  - 3) Parts are available in different materials: Contact JST.
  - 4) For availability, delivery and minimum order quantity details, contact JST.

## 04 Type (Straight) Housing <Made in Europe>



JST File No. E172855

Part No	Standard	Description	Material	Max Operating Temp °C	Applicable JST Terminal	Applicable Mating Housing
01022-250 (CS-63N004)	JST	Single Circuit Housing	Nylon 66 (UL94-V2)	130	STO-(*)-(*)-250(*)-(*)-(*)-(*)	01016 (CS-63N003)
CS-63N004V0			Nylon 68 (UL94-V0)	140		CS-63N003V0

- Note:
- 1) Colour coding: 0=Natural, 1=White, 2=Yellow, 3=Red, 4=Green, 5=Black, 6=Blue. Example CS-63N504 = Black Housing.
  - 2) Example applicable JST Terminal; STO-1.0T-250N
  - 3) Parts are available in different materials: Contact JST.
  - 4) For availability, delivery and minimum order quantity details, contact JST.

## X-ON Electronics

Largest Supplier of Electrical and Electronic Components

*Click to view similar products for [jst manufacturer](#):*

Other Similar products are found below :

[GS3-0.5](#) [GS8-6](#) [B5B-XH-A](#) [B5P-VH](#) [B7B-XH-A](#) [B8B-PH-SM4-TB](#) [BM06B-SRSS-TB](#) [FVGS5-6](#) [B2B-ZR-SM4-TF](#) [B34B-PHDSS-B\(LF\)\(SN\)](#) [B3B-ZR-SM4-TF](#) [B4PS-VH](#) [B6B-PH-SM4-TB](#) [B6B-XH-A](#) [B8B-PH-K-S](#) [B8B-ZR-SM4-TF](#) [B8PS-VH](#) [BM04B-SRSS-TB](#) [IDH-KR-12](#) [10HR-4K](#) [WC-ZE2426](#) [WC-691](#) [WC-122](#) [FVDDF5.5-375A \(LF\)](#) [FVGS12-6 \(LF\)](#) [FVWS2-S3.3 \(LF\)](#) [FVWS5.5-5 \(LF\)](#) [B6PS-VH\(LF\)\(SN\)](#) [FNGS12-6](#) [TWE0.5-8](#) [FVGS4-1 \(LF\)](#) [HILR-06VF-1-S](#) [WC-GVH2630](#) [WC-PUD2](#) [S10B-PH-SM4-TB\(LF\)\(SN\)](#) [B2B-EH-A-TW \(LF\)\(SN\)](#) [B4B-EH-A-TW \(LF\)\(SN\)](#) [B4B-XH-TW \(LF\)\(SN\)](#) [B9B-XH-A](#) [BM02B-GHS-TBT](#) [BM03B-GHS-TBT](#) [BM04B-GHS-TBT](#) [BM06B-GHS-TBT](#) [BM10B-GHS-TBT](#) [10FPZ-SM-TF\(LF\)\(SN\)](#) [YRS-852](#) [B04B-VYHSK-M-1](#) [B4B-PH-SM4-GW-TB](#) [B2B-ZR-SM4-TFT\(LF\)\(SN\)](#) [S24B-PADSS-1\(LF\)\(SN\)](#)