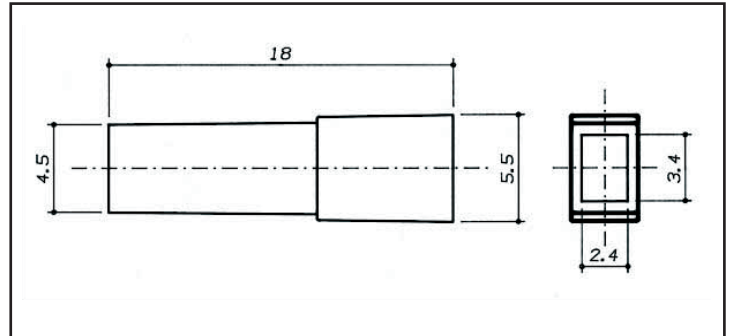


110 SERIES

Insulation housings for terminals

01 Type (Straight) Housing <Made in Europe>

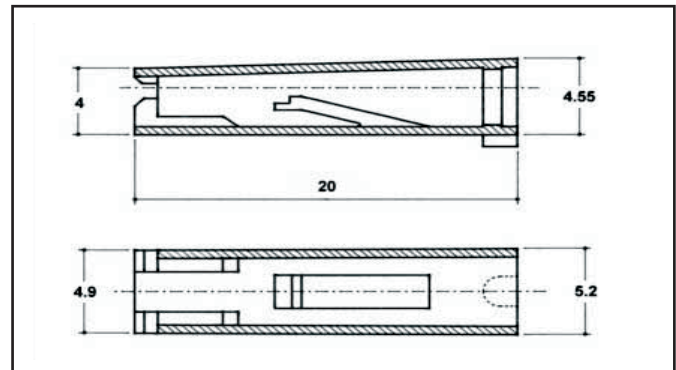


File No. E172855

Part No	Standard	Description	Material	Max Operating Temp °C	Applicable JST Terminal
CS-28F001		Single Circuit Housing	PE (UL94-HB)	50	STO-(*)-(*)-110(*)-(*)-(*)-(*)
CS-28N001			Nylon 66 (UL94-V2)	130	
CS-28N001V0			Nylon 68 (UL94-V0)	140	

- Note:
- 1) Colour coding: 0=Natural, 1=White, 3=Red, 5=Black. Example CS-28N501 = Black Housing.
 - 2) Example applicable JST Terminal; STO-1.0T-110N-8
 - 3) Parts are available in different materials: Contact JST.
 - 4) For availability, delivery and minimum order quantity details, contact JST.

02 Type (Straight) Housing <Made in Europe>



File No. E172855

Part No	Standard	Description	Material	Max Operating Temp °C	Applicable JST Terminal
01019 (CS-28N002)		Single Circuit Housing	Nylon 66 (UL94-V2)	130	STO-(*)-(*)-110(*)-(*)-(*)-(*)
CS-28N002V0			Nylon 68 (UL94-V0)	140	

- Note:
- 1) Colour coding: 0=Natural, 2=Yellow, 3=Red, 4=Green, 5=Black, 6=Blue. Example CS-28N502 = Black Housing.
 - 2) Example applicable JST Terminal; STO-1.0T-110N-8
 - 3) Parts are available in different materials: Contact JST.
 - 4) For availability, delivery and minimum order quantity details, contact JST.

X-ON Electronics

Largest Supplier of Electrical and Electronic Components

Click to view similar products for [jst manufacturer](#):

Other Similar products are found below :

[GS3-0.5](#) [GS8-6](#) [B5B-XH-A](#) [B5P-VH](#) [B7B-XH-A](#) [B8B-PH-SM4-TB](#) [BM06B-SRSS-TB](#) [FVGS5-6](#) [B2B-ZR-SM4-TF](#) [B34B-PHDSS-B\(LF\)\(SN\)](#) [B3B-ZR-SM4-TF](#) [B4PS-VH](#) [B6B-PH-SM4-TB](#) [B6B-XH-A](#) [B8B-PH-K-S](#) [B8B-ZR-SM4-TF](#) [B8PS-VH](#) [BM04B-SRSS-TB](#) [IDH-KR-12](#) [10HR-4K](#) [WC-ZE2426](#) [WC-691](#) [WC-122](#) [FVDDF5.5-375A \(LF\)](#) [FVGS12-6 \(LF\)](#) [FVWS2-S3.3 \(LF\)](#) [FVWS5.5-5 \(LF\)](#) [B6PS-VH\(LF\)\(SN\)](#) [FNGS12-6](#) [TWE0.5-8](#) [FVGS4-1 \(LF\)](#) [HILR-06VF-1-S](#) [WC-GVH2630](#) [WC-PUD2](#) [S10B-PH-SM4-TB\(LF\)\(SN\)](#) [B2B-EH-A-TW \(LF\)\(SN\)](#) [B4B-EH-A-TW \(LF\)\(SN\)](#) [B4B-XH-TW \(LF\)\(SN\)](#) [B9B-XH-A](#) [BM02B-GHS-TBT](#) [BM03B-GHS-TBT](#) [BM04B-GHS-TBT](#) [BM06B-GHS-TBT](#) [BM10B-GHS-TBT](#) [10FPZ-SM-TF\(LF\)\(SN\)](#) [YRS-852](#) [B04B-VYHSK-M-1](#) [B4B-PH-SM4-GW-TB](#) [B2B-ZR-SM4-TFT\(LF\)\(SN\)](#) [S24B-PADSS-1\(LF\)\(SN\)](#)