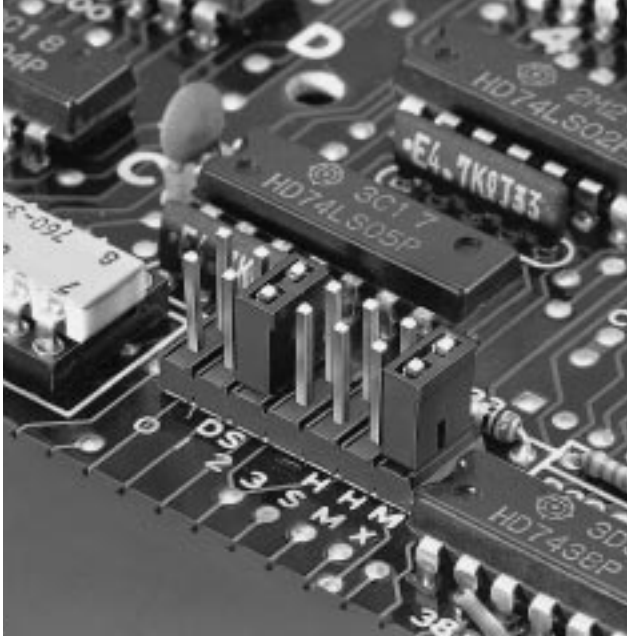




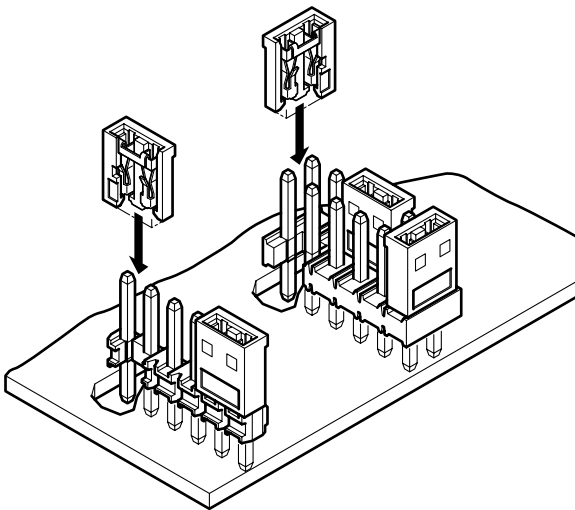
JM CONNECTOR

Jumper connectors

2.54mm
(.100") pitch



This is a two-circuit jumper connector suited for changing or switching circuits on printed circuit boards without using DIP switches. It is compact and light, thus can be mounted on printed circuit boards without interfering with the placement of other components. The connector is easy to use, low in cost, and has a wide range of applications in industrial and consumer products.



Features

• Stackable

This connector is stackable in both directions.

• Low profile

This connector measures 8.5mm (.335") high after mounting. The receptacle is 6.0mm (.236") high.

• High reliability

Each contact makes an electrical connection with its mating header post at two points. This redundancy ensures continuity even under adverse environmental conditions.

• Through style

The receptacle allows the mating post to pass completely through and measures 6.0mm (.236") in height. It is suited for various headers having posts measuring 6.0mm (.236") or more in height.

• Provides convenient test points

Provides extra test points where circuits can be checked without the disassembly of components.

Specifications

- Current rating: 3.0A AC, DC
- Voltage rating: 250V AC, DC
- Temperature range: -55°C to +125°C
(including temperature rise in applying electrical current)
- Contact resistance: Initial value/20mΩ max.
After environmental testing/30m Ω max.
- Insulation resistance: 1,000MΩ min.
- Withstanding voltage: 800V AC/minute
- Applicable PC board thickness: 1.2 to 1.6mm(.047" to .063")
- Number of circuits: RE header 2 to 30
RF header 2 to 60 (even numbers only)

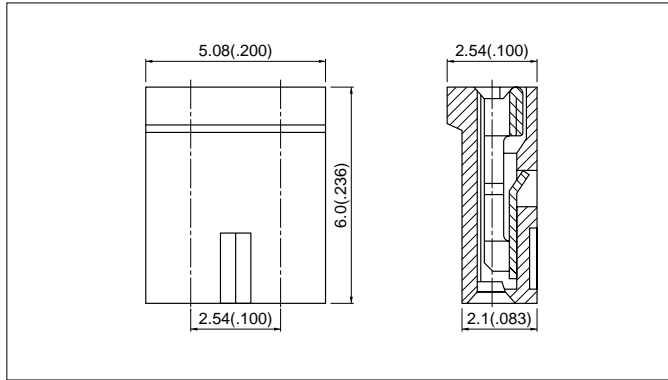
* Contact JST for details.

Standards

Recognized file No. E60389

Certified file No. LR20812

Receptacle

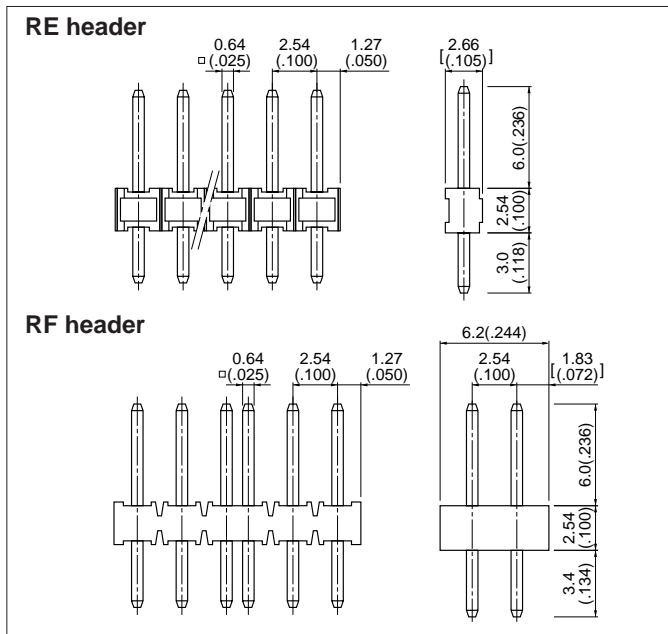


Model No.	Finish	Color	Q'ty / box
JM-2BK-61	Mating section: Gold-plated 0.1micron (4micro-inch) min	Black	5,000
JM-2BL-63	Mating section: Gold-plated 0.4micron (15micro-inch) min	Blue	
JM-2R-64	Mating section: Gold-plated 0.76micron (30micro-inch) min	Red	
JM-2W-96	Copper-undercoated, tin-plated	Natural (white)	

Material	
Contact:	Phosphor bronze
Housing:	PBT, UL94V-0

Note: Contact JST for special products.

Header

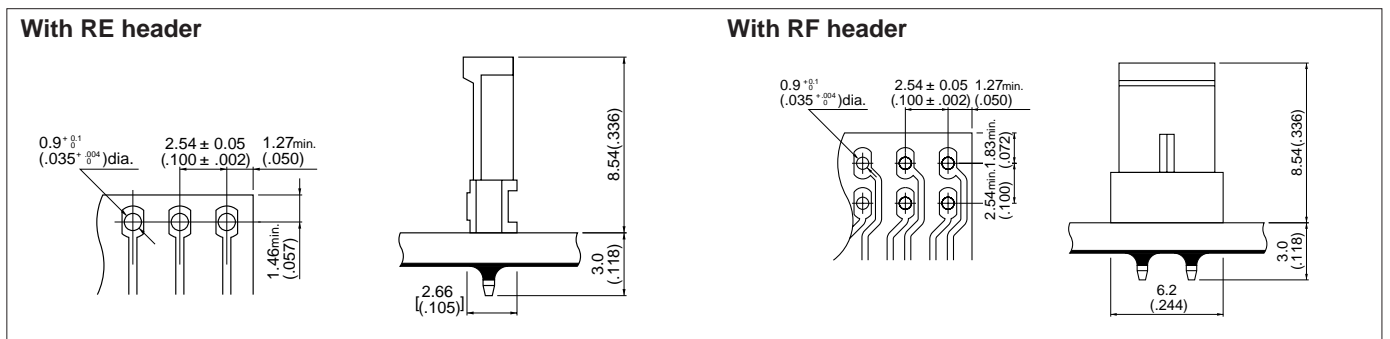


Model No.	Material		Finish
	Water	Post	
RE-H(*)2TD-1130	PBT, UL94V-0, black	Brass	Nickel-undercoated, gold-plated
RE-H(*)2TD-1190			Copper-undercoated, tin/lead-plated
RF-H(*)2TD-1130			Nickel-undercoated, gold-plated
RF-H(*)2TD-1190			Copper-undercoated, tin/lead-plated

Note:

1. A two-digit number (RE header: 02 to 30 or RF header: 02 to 60 even numbers only) representing the number of circuits should be inserted in (*).
2. Special headers and side-entry type RE and RF headers are also available. For details, refer to pages 55 and 58.

PC board layout (viewed from soldering side) and Assembly layout



Note: 1. Tolerances are non-cumulative: $\pm 0.05\text{mm} (\pm .002")$ for all centers.

2. Hole dimensions differ according to the kind of PC board and piercing method. The dimensions above should serve as a guideline. Contact JST for details.

X-ON Electronics

Largest Supplier of Electrical and Electronic Components

Click to view similar products for [jst manufacturer](#):

Other Similar products are found below :

[GS3-0.5](#) [GS8-6](#) [B5B-XH-A](#) [B5P-VH](#) [B7B-XH-A](#) [B8B-PH-SM4-TB](#) [BM06B-SRSS-TB](#) [FVGS5-6](#) [B2B-ZR-SM4-TF](#) [B34B-PHDSS-B\(LF\)\(SN\)](#) [B3B-ZR-SM4-TF](#) [B4PS-VH](#) [B6B-PH-SM4-TB](#) [B6B-XH-A](#) [B8B-PH-K-S](#) [B8B-ZR-SM4-TF](#) [B8PS-VH](#) [BM04B-SRSS-TB](#) [IDH-KR-12](#) [10HR-4K](#) [WC-ZE2426](#) [WC-691](#) [WC-122](#) [FVDDF5.5-375A \(LF\)](#) [FVGS12-6 \(LF\)](#) [FVWS2-S3.3 \(LF\)](#) [FVWS5.5-5 \(LF\)](#) [B6PS-VH\(LF\)\(SN\)](#) [FNGS12-6](#) [TWE0.5-8](#) [FVGS4-1 \(LF\)](#) [HILR-06VF-1-S](#) [WC-GVH2630](#) [WC-PUD2](#) [S10B-PH-SM4-TB\(LF\)\(SN\)](#) [B2B-EH-A-TW \(LF\)\(SN\)](#) [B4B-EH-A-TW \(LF\)\(SN\)](#) [B4B-XH-TW \(LF\)\(SN\)](#) [B9B-XH-A](#) [BM02B-GHS-TBT](#) [BM03B-GHS-TBT](#) [BM04B-GHS-TBT](#) [BM06B-GHS-TBT](#) [BM10B-GHS-TBT](#) [10FPZ-SM-TF\(LF\)\(SN\)](#) [YRS-852](#) [B04B-VYHSK-M-1](#) [B4B-PH-SM4-GW-TB](#) [B2B-ZR-SM4-TFT\(LF\)\(SN\)](#) [S24B-PADSS-1\(LF\)\(SN\)](#)