

Product	cable outlet: 5.5 - 9 mm, Contacts: 8, Cable plug connector with X-coding, shieldable, CAT 6A, insulation displacement connection
Area	M12-D, M12-X Series 825 X-coding
Article number	99 3787 810 08

Illustration	Scale drawing	Contact Arrangement																											
		<table border="1" style="margin-left: auto; margin-right: auto;"> <thead> <tr> <th></th> <th>X</th> <th>Y</th> </tr> </thead> <tbody> <tr><td>1</td><td>1,40</td><td>-2,80</td></tr> <tr><td>2</td><td>2,80</td><td>-1,40</td></tr> <tr><td>3</td><td>2,80</td><td>1,40</td></tr> <tr><td>4</td><td>1,40</td><td>2,80</td></tr> <tr><td>5</td><td>-1,40</td><td>2,80</td></tr> <tr><td>6</td><td>-2,80</td><td>1,40</td></tr> <tr><td>7</td><td>-2,80</td><td>-1,40</td></tr> <tr><td>8</td><td>-1,40</td><td>-2,80</td></tr> </tbody> </table>		X	Y	1	1,40	-2,80	2	2,80	-1,40	3	2,80	1,40	4	1,40	2,80	5	-1,40	2,80	6	-2,80	1,40	7	-2,80	-1,40	8	-1,40	-2,80
	X	Y																											
1	1,40	-2,80																											
2	2,80	-1,40																											
3	2,80	1,40																											
4	1,40	2,80																											
5	-1,40	2,80																											
6	-2,80	1,40																											
7	-2,80	-1,40																											
8	-1,40	-2,80																											

You can find the item description and assembly instruction on the next page.

Technical data

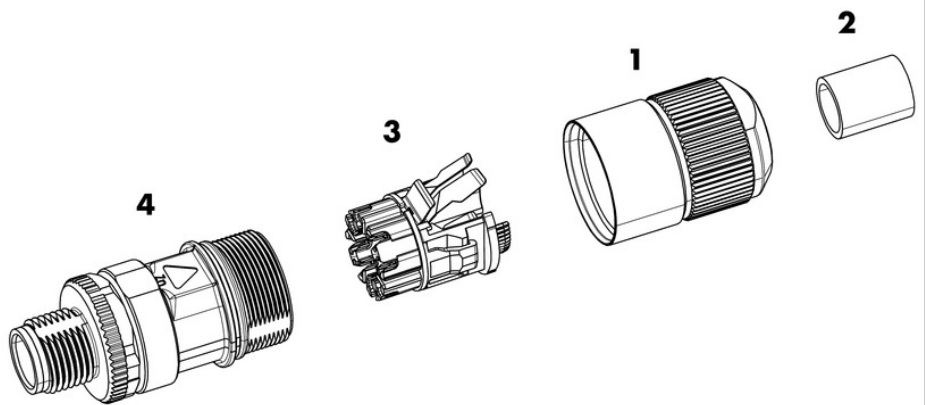
<h3 style="color: #e91e63; margin: 0;">Common values</h3> <table border="0"> <tr><td>Connector Design</td><td>Cable plug connector</td></tr> <tr><td>Connector locking system</td><td>screw</td></tr> <tr><td>Termination</td><td>Screw terminal</td></tr> <tr><td>Wire gauge (AWG)</td><td>27 - 22</td></tr> <tr><td>Cable outlet</td><td>5.5 - 9 mm</td></tr> <tr><td>Upper temperature</td><td>85 °C</td></tr> <tr><td>Lower temperature</td><td>-40 °C</td></tr> </table>		Connector Design	Cable plug connector	Connector locking system	screw	Termination	Screw terminal	Wire gauge (AWG)	27 - 22	Cable outlet	5.5 - 9 mm	Upper temperature	85 °C	Lower temperature	-40 °C	<h3 style="color: #e91e63; margin: 0;">Electrical values</h3> <table border="0"> <tr><td>Rated voltage</td><td>50 V AC / 60 V DC</td></tr> <tr><td>Rated impulse voltage</td><td>800 V</td></tr> <tr><td>Pollution degree</td><td>3</td></tr> <tr><td>Overvoltage category</td><td>II</td></tr> <tr><td>Material group</td><td>II</td></tr> <tr><td>Rated current (40°C)</td><td>0.5 A</td></tr> <tr><td>Volume resistivity</td><td>≤ 10 mΩ</td></tr> <tr><td>Degree of protection</td><td>IP67</td></tr> <tr><td>Mechanical operation</td><td>> 100 mating cycles</td></tr> </table>		Rated voltage	50 V AC / 60 V DC	Rated impulse voltage	800 V	Pollution degree	3	Overvoltage category	II	Material group	II	Rated current (40°C)	0.5 A	Volume resistivity	≤ 10 mΩ	Degree of protection	IP67	Mechanical operation	> 100 mating cycles
Connector Design	Cable plug connector																																		
Connector locking system	screw																																		
Termination	Screw terminal																																		
Wire gauge (AWG)	27 - 22																																		
Cable outlet	5.5 - 9 mm																																		
Upper temperature	85 °C																																		
Lower temperature	-40 °C																																		
Rated voltage	50 V AC / 60 V DC																																		
Rated impulse voltage	800 V																																		
Pollution degree	3																																		
Overvoltage category	II																																		
Material group	II																																		
Rated current (40°C)	0.5 A																																		
Volume resistivity	≤ 10 mΩ																																		
Degree of protection	IP67																																		
Mechanical operation	> 100 mating cycles																																		
<h3 style="color: #e91e63; margin: 0;">Cable data</h3> <table border="0"> <tr><td>material housing</td><td>-</td></tr> <tr><td>Insulation single lead</td><td>-</td></tr> <tr><td>Single lead structure</td><td>-</td></tr> <tr><td>Conductor resistance</td><td>-</td></tr> <tr><td>Bending radius cable fixed</td><td>-</td></tr> <tr><td>Bending radius cable movable</td><td>-</td></tr> </table>		material housing	-	Insulation single lead	-	Single lead structure	-	Conductor resistance	-	Bending radius cable fixed	-	Bending radius cable movable	-	<h3 style="color: #e91e63; margin: 0;">Material</h3> <table border="0"> <tr><td>Material of contact</td><td>CuZn (Brass)</td></tr> <tr><td>Contact plating</td><td>Au (Gold)</td></tr> <tr><td>Material of contact body</td><td>PA</td></tr> <tr><td>Material of housing</td><td>Nickel-plated brass / nickel-plated zinc die casting</td></tr> </table>		Material of contact	CuZn (Brass)	Contact plating	Au (Gold)	Material of contact body	PA	Material of housing	Nickel-plated brass / nickel-plated zinc die casting												
material housing	-																																		
Insulation single lead	-																																		
Single lead structure	-																																		
Conductor resistance	-																																		
Bending radius cable fixed	-																																		
Bending radius cable movable	-																																		
Material of contact	CuZn (Brass)																																		
Contact plating	Au (Gold)																																		
Material of contact body	PA																																		
Material of housing	Nickel-plated brass / nickel-plated zinc die casting																																		

Product	 cable outlet: 5.5 - 9 mm, Contacts: 8, Cable plug connector with X-coding, shieldable, CAT 6A, insulation displacement connection
Area	 M12-D, M12-X Series 825 X-coding
Article number	 99 3787 810 08

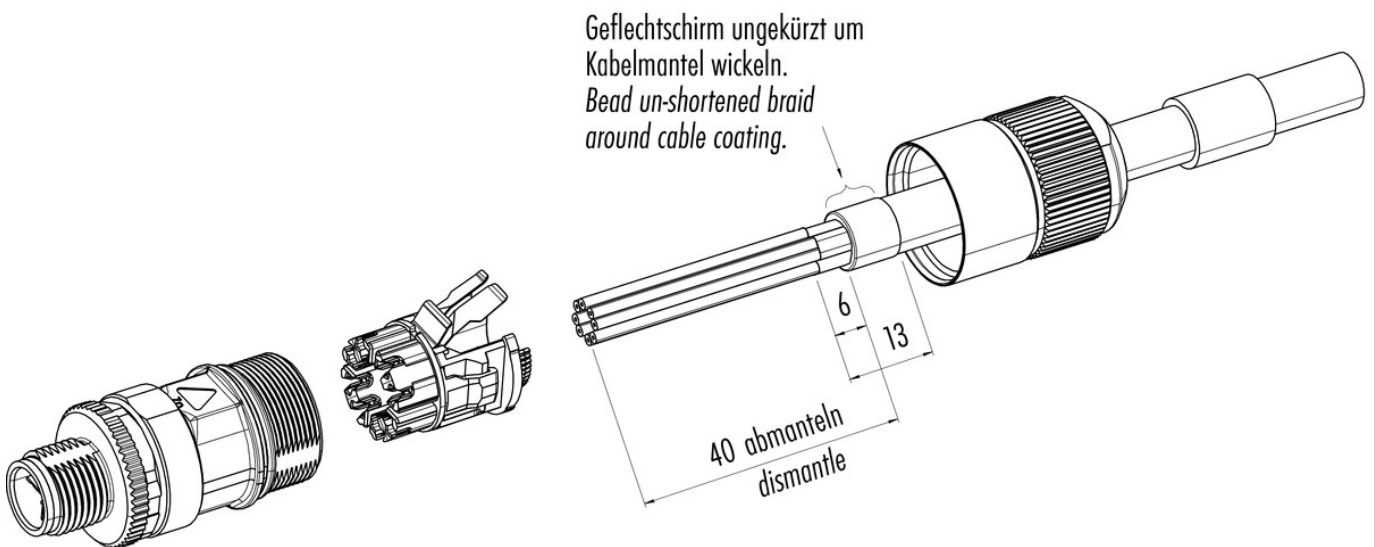
Item description

1. Vormontierte Druckschraube.
2. Zusatzdichtung für Kabel-Ø 5,5-7,5 mm.
3. Adervorsortierung.
4. Steckereinsatz.

1. Premounted pressing screw.
2. Additional sealing for cable-Ø 5.5-7.5 mm.
3. Wire manager.
4. Male insert.



Installation instructions / Mounting cutout



X-ON Electronics

Largest Supplier of Electrical and Electronic Components

Click to view similar products for [binder manufacturer](#):

Other Similar products are found below :

[16-8085-001](#) [16-8100-000](#) [16-8090-000](#) [16-8093-000](#) [09 0330 00 12](#) [09 0153 70 08](#) [09 0301 00 02](#) [09 0305 00 03](#) [09 0337 00 16](#) [09 0477 00 07](#) [09 9478 00 07](#) [66-0004-001](#) [99-9125-60-08](#) [99-9106-60-03](#) [99 0079 100 04](#) [79-3108-52-04](#) [79-3110-52-04](#) [66-0003-001](#) [99-3782-200-08](#) [61-0903-139](#) [09 5283 00 03](#) [09-0316-702-05](#) [66-0005-000](#) [02-0055-001](#) [09-5288-00-08](#) [09-0104-300-02](#) [09-0110-25-04](#) [09-0112-782-04](#) [09-0173-300-08](#) [09-0312-290-04](#) [09-9477-00-07](#) [99-4218-300-07](#) [09-3442-92-05](#) [99-0437-186-05](#) [99-0218-210-07](#) [43-1706-000-04](#) [08-2809-000-000](#) [99-9205-050-03](#) [99-0201-00-07](#) [09-0312-09-04](#) [99-0610-02-04](#) [09-0319-80-05](#) [99-9206-050-03](#) [09-0073-20-02](#) [09-0081-20-04](#) [09-0322-92-06](#) [99-2026-20-07](#) [43-1714-133-03](#) [99-0143-12-06](#) [99-0142-12-05](#)