



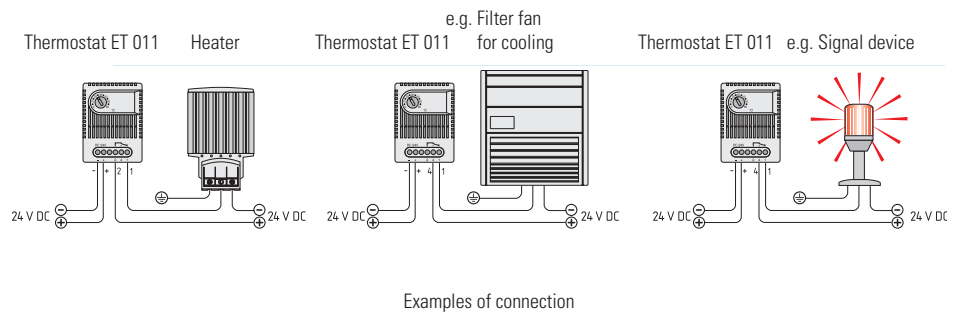
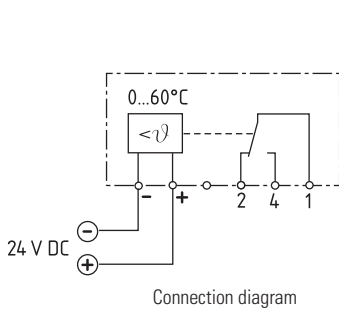
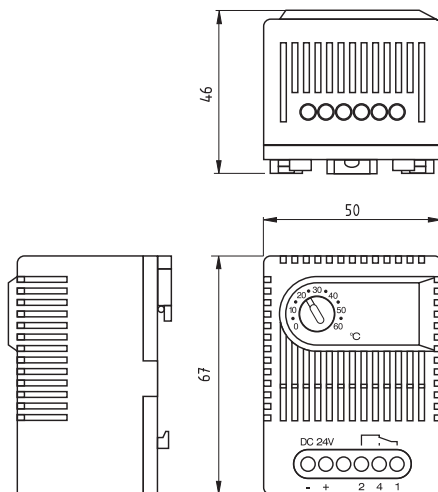
- **High DC breaking capacity**
- **Low hysteresis**
- **Adjustable temperature**
- **Change-over contact**
- **Clip fixing**

Electronic thermostat for regulating high performance DC 24V equipment. Heating or cooling appliances as well as signal devices can be switched via the potential free change-over contact. In comparison to mechanical thermostats, the ET 011 has a low hysteresis making the switching point and setting accuracy more precise.



Technical Data

Switch temperature difference	approx. 3K
Sensor element	PTC
Contact type	change-over
Service life	> 100,000 cycles
Max. switching capacity	28VDC, 16A
Connection	5-pole terminal, clamping torque 0.5Nm max.: rigid wire 2.5mm ² stranded wire (with wire end ferrule) 1.5mm ²
Mounting	clip for 35mm DIN rail, EN 60715
Casing	plastic according to UL94 V-0, light grey
Dimensions	67 x 50 x 46mm
Weight	approx. 80g
Fitting position	vertical
Operating / Storage temperature	0 to +60°C (32 to +140°F) / -45 to +80°C (-49 to +176°F)
Operating / Storage humidity	max. 90 % RH (non-condensing)
Protection type	IP20
Approvals	-



Art. No.	Operating voltage	Setting range
01190.0-00	24VDC (20-28VDC)	0 to +60°C

X-ON Electronics

Largest Supplier of Electrical and Electronic Components

Click to view similar products for [stego manufacturer](#):

Other Similar products are found below :

[01870.0-30](#) [01873.0-30](#) [01874.0-30](#) [11884.0-30](#) [14003.0-00](#) [01805.0-00](#) [01925.0-00](#) [11870.0-00](#) [11873.0-00](#) [02541.1-03-0003](#) [03082.0-01](#)
[03082.0-00](#) [03084.0-00](#) [01131.2-01](#) [02031.0-00](#) [02032.0-00](#) [02035.0-10](#) [02540.0-03](#) [01131.9-00](#) [08605.0-00](#) [03114.0-00](#) [01871.1-30](#)
[01925.1-01](#) [12101.0-30](#) [01163.0-01](#) [01163.0-03](#) [01164.0-00](#) [01170.0-01](#) [01170.9-01](#) [08601.0-00](#) [01882.0-00](#) [14006.0-00](#) [14008.0-00](#)
[01802.0-00](#) [02820.0-06](#) [02701.0-00](#) [04640.0-00](#) [06020.0-00](#) [11802.0-00](#) [02540.0-00](#) [03202.9-00](#) [244358](#) [01131.2-00](#) [01231.1-00](#) [28410.0-](#)
[00](#) [244356](#) [01185.1-00](#) [02034.0-00](#) [02540.1-11](#) [02540.1-13](#)