

Explosion Proof Combination Signal - 110 dB (A) / 5 Joule

Series YL60



- > Omnidirectional high output sounder 110 dB (A) / 1 m
- > 5 Joule xenon strobe
- > 2 stage alarm, independently selectable 2nd stage
- > IP66 rated as standard
- > Aluminium enclosure with stainless steel fasteners
- > Flash rate 1 per second
- > 32 selectable tones meeting international regulations
- > Sound selection via DIL switch
- > Lens guard and mounting bracket supplied as standard
- > Telephone initiate option available



14719E00

www.stahl.de



H1

Yodalex range
Combination audible and visual signal designed for use in hazardous or harsh environments.

		ATEX							Class I (NEC 505)		Class I (NEC 506)				Class I		Class II		Class III		
Zone		0	1	2	20	21	22	Zone	0	1	2	20	21	22	Division	1	2	1	2	1	2
For use in			x	x		x	x	For use in		x	x		x	x	For use in	x	x	x	x	x	x

Explosion Protection

Marking

IECEX Gas explosion protection	IIB version:	Ex d IIB T4 (Ta -35°C to +60°C)
	IIB+H ₂ version:	Ex d IIB+H ₂ T4 (Ta -20°C to +60°C)
Dust explosion protection	IIB version:	Ex tD A21 IP66 T135°C (Ta -35°C to +60°C)
	IIB+H ₂ version:	Ex tD A21 IP66 T135°C (Ta -35°C to +60°C)
Europe (ATEX) Europe (ATEX)	IIB version:	⊕ II 2 GD Ex d IIB T4 (T6 on request)
	IIB+H ₂ version:	⊕ II 2 GD Ex d IIB+H ₂ T4 (T6 on request)

Certificates

IECEX	IIB version:	IECEX BAS 05.0086 X
	IIB+H ₂ version:	IECEX BAS 05.0087X
Europe (ATEX)	IIB version:	Baseefa 02ATEX0212X
	IIB+H ₂ version:	Baseefa 02ATEX0222X
Other approvals	Canada (CUL), Russia (GOST-R), USA (UL), Brazil (INMETRO)	

WebCode YL60A

Explosion Proof Combination Signal - 110 dB (A) / 5 Joule

Series YL60



Selection Table

Version	Group	Flash energy	Rated operational voltage	Lens colour	Order number	Art. no.	Weight kg
YL60 Sounder/Strobe, ATEX certification, standard devices	IIB + H ₂	5 Joule	24 V DC	amber	YL60/C/D50/A/EU	205250	6.000
				red	YL60/C/D50/R/EU	205257	6.000
			115 V AC	amber	YL60/C/L50/A/EU	205267	6.000
				red	YL60/C/L50/R/EU	205271	6.000
			230 V AC	amber	YL60/C/N50/A/EU	205273	6.000
				red	YL60/C/N50/R/EU	205282	6.000
YL60 Sounder/Strobe, UL certification, standard devices	IIB + H ₂	5 Joule	24 V DC	amber	YL60/B/D50/A/UL	205287	6.000
				red	YL60/B/D50/R/UL	205293	6.000
			115 V AC	amber	YL60/B/L50/A/UL	205568	6.000
				red	YL60/B/L50/R/UL	205299	6.000
			230 V AC	amber	YL60/B/N50/A/UL	205301	6.000
				red	YL60/B/N50/R/UL	212386	6.000
YL60 Sounder/Strobe, IECEx certification, standard devices	IIB + H ₂	5 Joule	24 V DC	amber	YL60/C/D50/A/IN	210791	6.000
				red	YL60/C/D50/R/IN	209605	6.000
			115 V AC	amber	YL60/C/L50/A/IN	212387	6.000
				red	YL60/C/L50/R/IN	212388	6.000
			230 V AC	amber	YL60/C/N50/A/IN	205276	6.000
				red	YL60/C/N50/R/IN	205284	6.000
YL60 Sounder/Strobe, GOST R certification, standard devices	IIB + H ₂	5 Joule	24 V DC	amber	YL60/C/D50/A/RU	212389	6.000
				red	YL60/C/D50/R/RU	205265	6.000
			115 V AC	amber	YL60/C/L50/A/RU	212390	6.000
				red	YL60/C/L50/R/RU	205272	6.000
			230 V AC	amber	YL60/C/N50/A/RU	212391	6.000
				red	YL60/C/N50/R/RU	212392	6.000
Note	Variations in gas group, flash energy, voltage and lens colour are available, please use the table below to order						

Explosion Proof Combination Signal - 110 dB (A) / 5 Joule

Series YL60



Selection Table

Version	Variations	Order Number
YL60 Sounder/Strobe combination, devices acc. to specification	Type code: please fill in fields	YL60 / - / - / - / - / -
	Gas group	
	EU, IN and RU units IIB	B
	IIB + H2	C
	UL units C, D gas groups	C
	B gas groups	B
	Rated operational voltage	
	24 V DC	D
	48 V DC	F
	115 V AC	L
	230 V AC	N
	Flash energy	
	5 Joule	50
	Lens colour	
	amber	A
	red	R
	green	G
	opal	O
	blue	B
	clear	C
	yellow	Y
	Certification	
	ATEX	EU
UL	UL	
IECEX	IN	
GOST-R	RU	
Additions		
activation AC voltages only telephone initiate	TI	

H1

Explosion Proof Combination Signal - 110 dB (A) / 5 Joule Series YL60



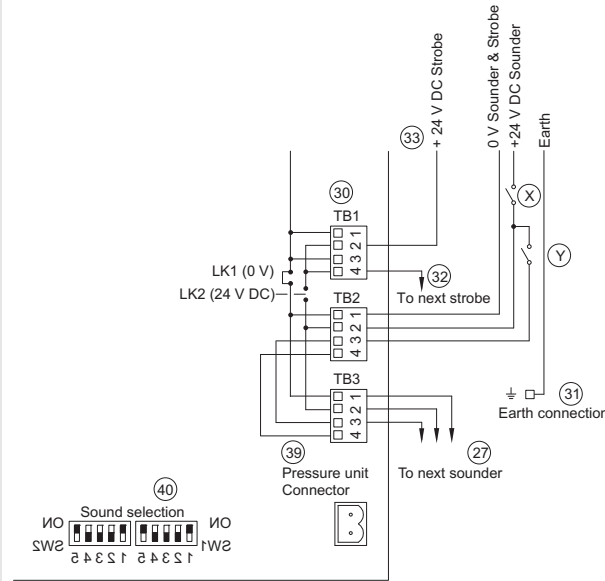
Technical Data

Electrical data

Rated operational voltage	24 V DC, 115 or 230 V AC			
Current consumption	24 V DC	5 J	IECEX, ATEX, UL, GOST	570 mA
	115 V AC	5 J	IECEX, ATEX, UL, GOST	200 mA
	230 V AC	5 J	IECEX, ATEX, UL, GOST	100 mA

Schematic

Standard DC alarm connection and sound signal selection



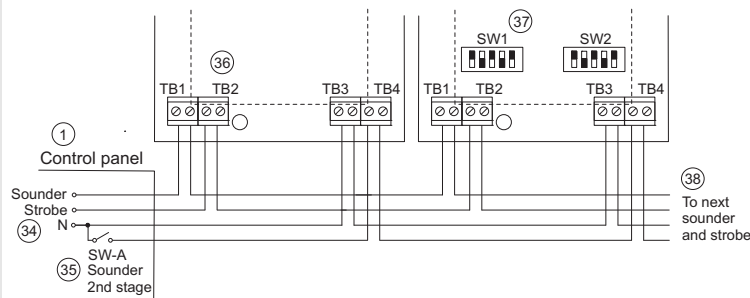
14809E00

NOTE:

Two stage alarm by third core.
Strobe shown with common 0 V.
Line monitoring by reversal.
Select alarm stage 1 on SW1.
Select alarm stage 2 on SW2.

The two stage control always operates as follows:
The first stage sounds by supplying volts to a unit via control switch 'X'. This switch remains on and the second stage signal is controlled by switching volts to the third terminal via switch 'Y'.

AC alarm connection and sound signal selection



14810E00

Legend

- 1 = External power supply, provided by user
- 27 = Connections to additional sounder/horn
- 30 = Terminal blocks for incoming and outgoing wiring
- 31 = Internal earth terminal
- 32 = Connections to additional strobe/beacon
- 33 = Control voltage for strobe/beacon (connection to TB1), common voltage for both strobe/beacon and sounder/horn (connection to TB2), control voltage for sounder/horn (connection to TB2)
- 34 = Live voltage for sounder/horn (connection to TB1), live voltage for strobe/beacon (connection to TB2), common neutral for both strobe/beacon and sounder/horn (connection to TB3)
- 35 = Switch for second stage alarm
- 36 = Terminal blocks for incoming and outgoing wiring
- 37 = Dual in line sound selection switches, situated on reverse
- 38 = Connections to additional sounder/horn and strobe beacon
- 39 = Connecting socket used for pressure unit, situated on reverse of the PCB
- 40 = Dual in line sound selection switches, situated on reverse of PCB

Explosion Proof Combination Signal - 110 dB (A) / 5 Joule

Series YL60



Technical Data

Acoustic data

Volume	110 db (A) / 1 m
Sound selection	via DIL-switch

Luminous Characteristics

Flash rate	1/s
Flash energy	5 J
Lens colour	amber, red, green, opal, blue, clear, yellow





Ambient conditions

Ambient temperature	version			
	IIB	Europe	T4	- 35 ... + 60 °C
			T6	- 35 ... + 40 °C
	IIB + H ₂	Europe	T4	- 20 ... + 60 °C
T6			- 20 ... + 40 °C	

Mechanical data

Material	
Enclosure	aluminium, seawater resistant
Horn	ABS, flame retardant
Globe	polycarbonate
Assembly parts	stainless steel
Degree of protection	IP66, 4X
Cable entries	2 cable entries, equipped with stopping plug (1x) and dust cap (1x) UL devices: equipped with M20 / 1/2 " adapters (2x)

Accessories and Spare Parts

Designation	Illustration	Description	Group	Order number	Art. no.	WebCode
Cable gland		Compound Barrier Cable Glands Ex d and Ex e for all Types of Unarmoured Cables	IIB + H ₂ and IIC	8163 / 2-20-PXSS2K-M20	138888	8163J
		Compound Barrier Cable Glands Ex d and Ex e for all Types of Armoured Cables	IIB + H ₂ and IIC	8163 / 2-20-PX2K-M20	138875	8163I
		Cable Glands Ex d and Ex e for Unarmoured Cables	IIB	8163 / 2-20-A2F-M20	138772	8163A
		Triton CDS Cable Glands Ex d and Ex e for all Types of Armoured Cables	IIB	8163 / 2-20-T3CDS-M20	138902	8163K

Note Approvals of cable entries have to be observed.

Dimensional Drawings (All Dimensions in mm / inches) - Subject to Alterations



We reserve the right to make alterations to the technical data, dimensions, weights, designs and products available without notice. The illustrations cannot be considered binding.

X-ON Electronics

Largest Supplier of Electrical and Electronic Components

Click to view similar products for [clifford](#) and [snell](#) manufacturer:

Other Similar products are found below :

[YA50/L/RF/WR](#) [YL50/L50/A/RF/WR](#) [YA80/D/RF/SU/WR](#) [FL40/N50/R/RN](#) [YL40/D50/R/RN/WR](#) [YL40/D50/A/RN/WR](#)

[YL50/N50/R/RF/WR](#) [YA50/N/RF/WR](#) [YA30/D/RF/WR](#) [YL50/D50/A/RF/WR](#) [YA50/D/RF/WR](#) [YL50/L50/R/RF/WR](#) [YL50/D50/R/RF/WR](#)