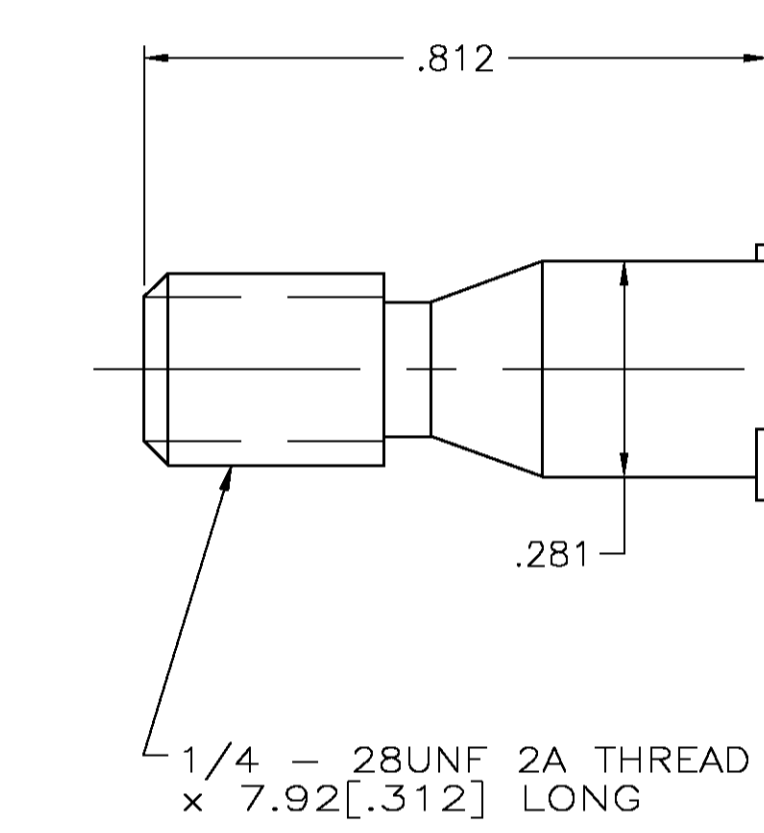


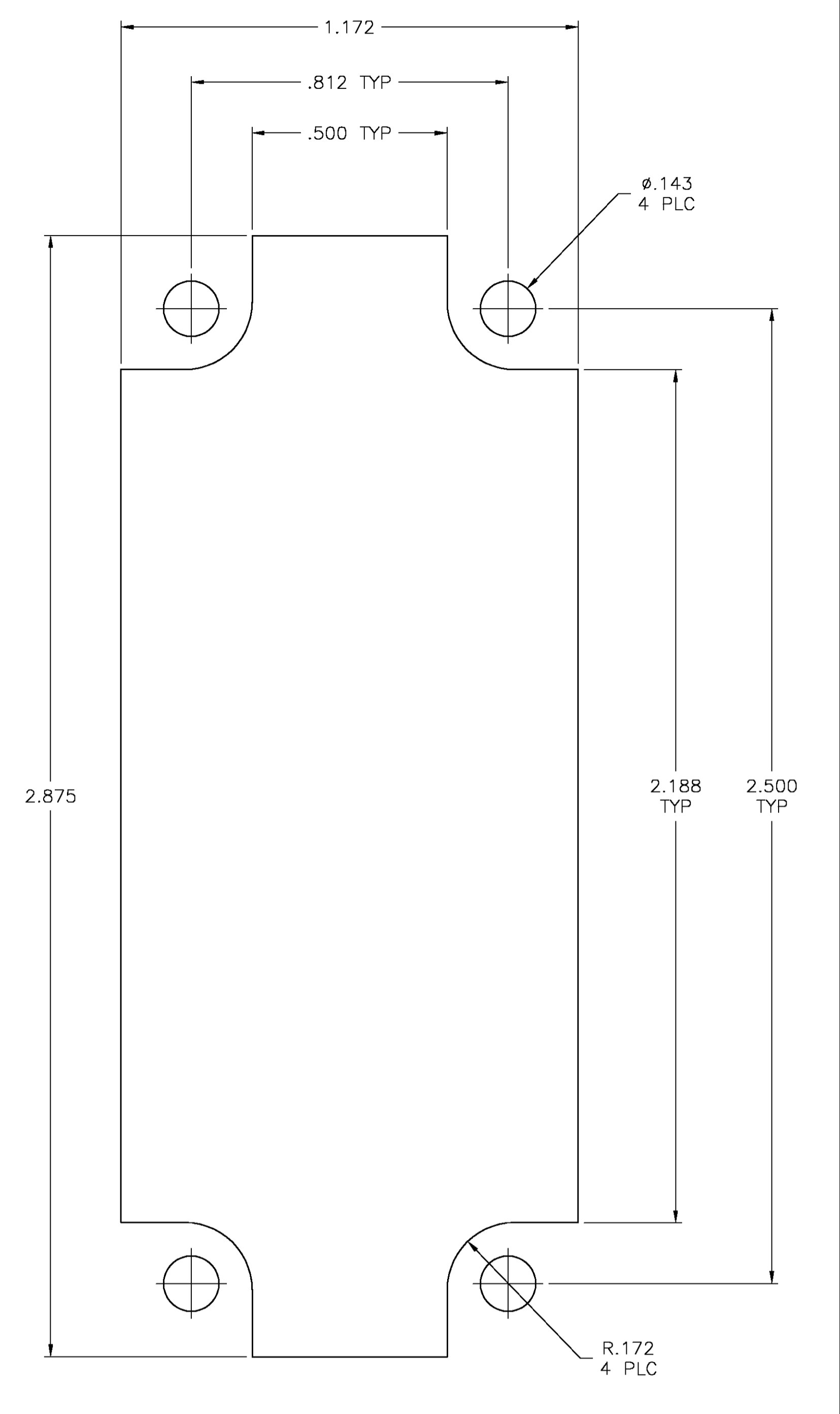
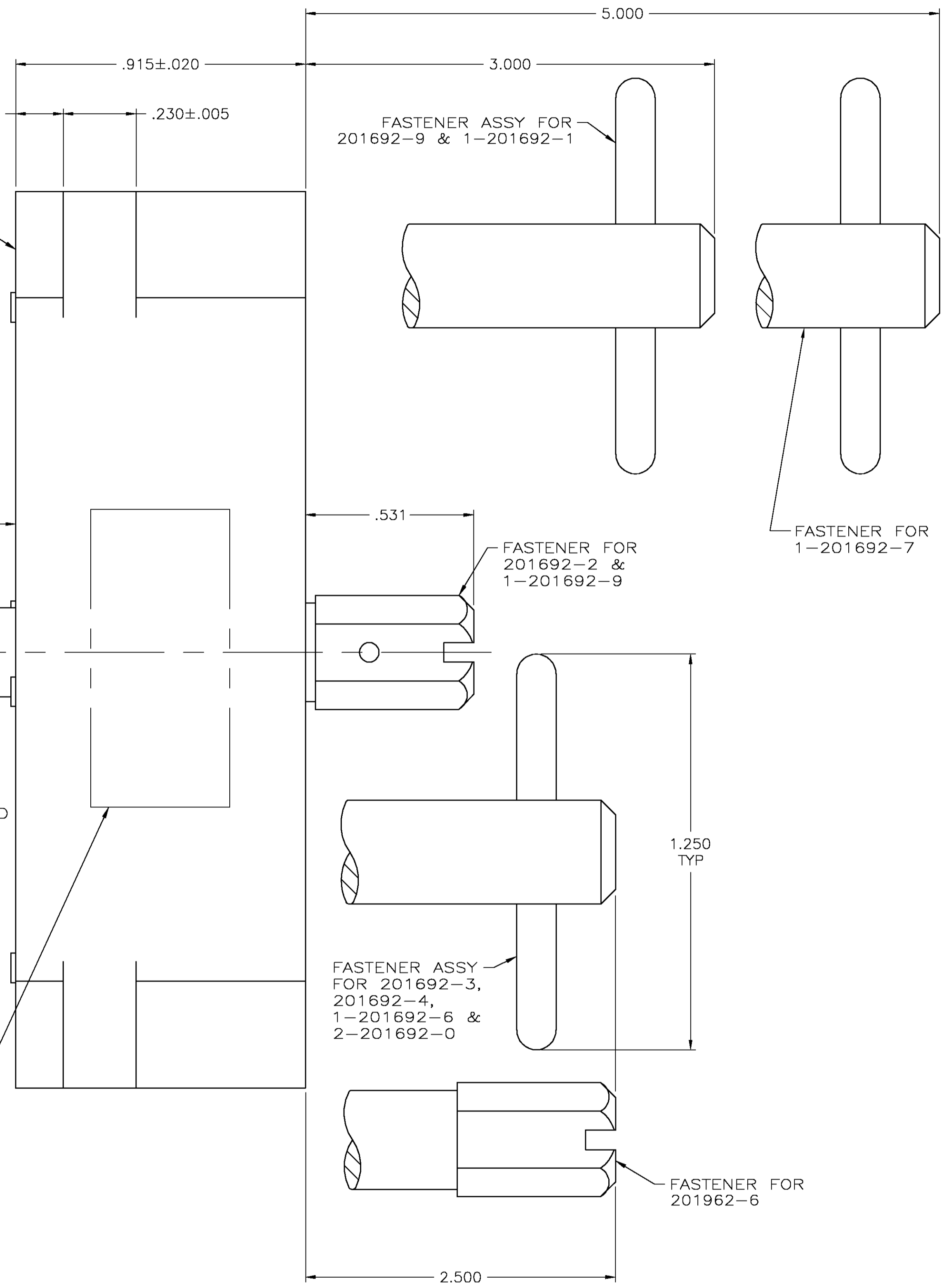
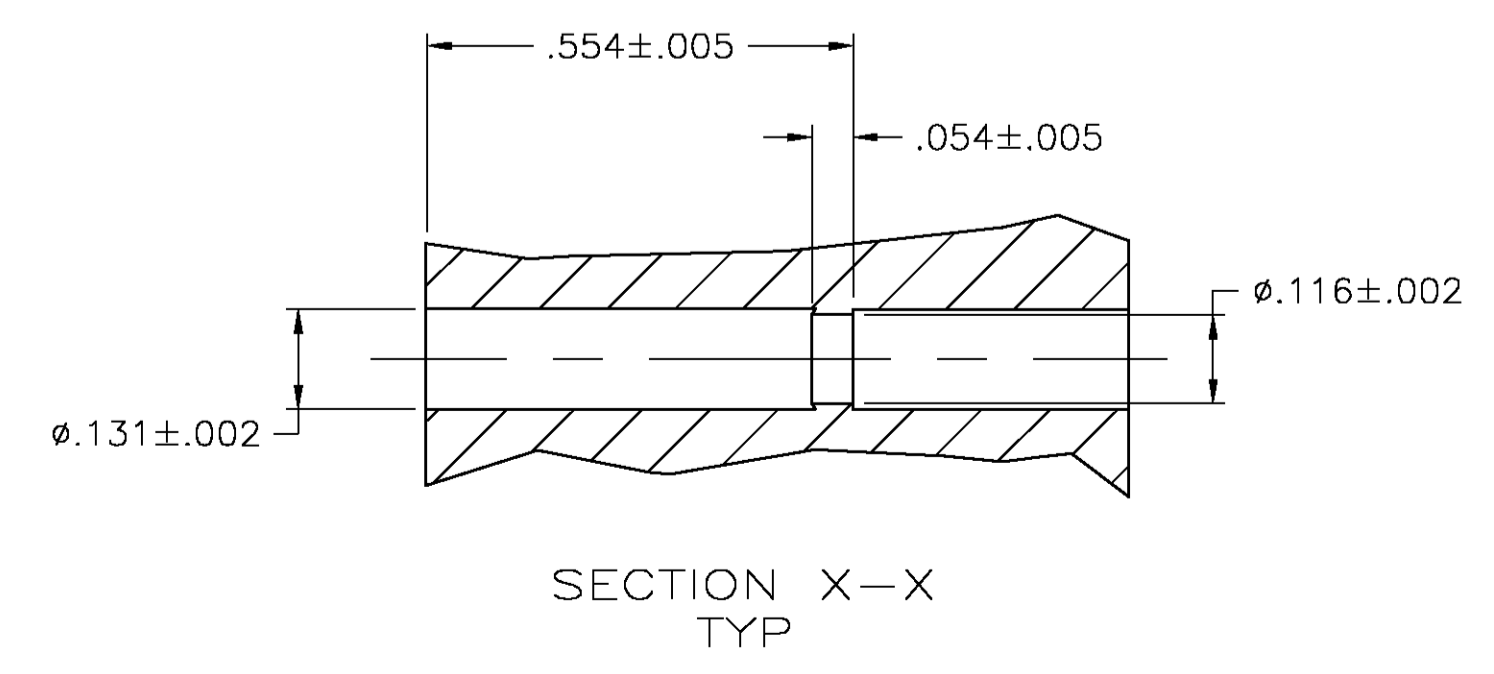
MATING FACE
 MOLDED CHARACTERS BOTH SIDES

.150 TYP
 .075 TYP



.175 TYP

AMP, PART NUMBER & DATE CODE IN THIS AREA



PANEL CUT-OUT DETAIL

- 1 PHENOLIC PER MIL-M-14F, TYPE MFH, BLACK.
- 2 DIALLYL PHTHALATE PER MIL-M-14F, TYPE SDG-F, BLUE.
- 3 VALOX 420 SEO.
- 4 ACCOMMODATES TYPE II OR TYPE III SIZE #16 SOCKET CONTACTS.
- 5 STAINLESS STEEL.
- 6 FOR MATING BLOCK SEE CUSTOMER DRAWING 201532.

1	2-201692-0
3	1-201692-9
1	1-201692-7
3	1-201692-6
1	1-201692-1
2	201692-9
1	201692-6
1	201692-4
2	201692-3
1	201692-2
BLOCK MATERIAL	PART NUMBER

THIS DRAWING IS A CONTROLLED DOCUMENT.

DIMENSIONS: INCHES	TOLERANCES UNLESS OTHERWISE SPECIFIED:	DWN C. REIFSNYDER 14 DEC 95	Tyco Electronics Corporation Harrisburg, PA 17105
0 PLC ± -	1 PLC ± -	CHK C. DORWART 19 DEC 95	
2 PLC ± 0.38[.015]	3 PLC ± -	APVD G.A. STEINHAEUER 03 JAN 96	NAME PLUG BLOCK ASSEMBLY, 104 POSITION, RECTANGULAR M SERIES
4 PLC ± -	ANGLES ± -	FINISH -	SIZE CASE CODE DRAWING NO. RESTRICTED TO
MATERIAL BLOCK: SEE TABLE HARDWARE & INSERTS	FINISH -	WEIGHT -	A1 00779 C=201692
CUSTOMER DRAWING			SCALE 4:1 SHEET 1 OF 1 REV AN

X-ON Electronics

Largest Supplier of Electrical and Electronic Components

Click to view similar products for [Rack & Panel Connectors](#) category:

Click to view products by [TE Connectivity](#) manufacturer:

Other Similar products are found below :

[00170420102](#) [00171410002](#) [00171420202](#) [00171440002](#) [008026165000265](#) [00-8219-072-000-112P44](#) [008219072000112P5](#)
[008219072000112P61](#) [00-8223-096-580-102](#) [02-014-013-5200-000](#) [00-8129-015-610-108](#) [613467-000](#) [CTJ112E01E-513](#) [CTJ116E03A-513](#)
[CTJ720E01B-513 L/C](#) [M81714/63-22S L/C](#) [M81714/65-12-1](#) [66020-2](#) [CW8958-000](#) [699886-000](#) [D250-50632](#) [70.400.3240.0](#) [70.955.2453.3](#)
[733753-000](#) [F22831-000](#) [780-522-DPX34RG8-02](#) [MMA25-0051R1](#) [MMA25-0341D1](#) [8660-501](#) [87.060.0053.0](#) [900709N001](#) [QRP4-12P-](#)
[C\(01\)](#) [QR/P6-6S-C\(01\)](#) [AC-600003-004](#) [1218600-1](#) [D-659-0061](#) [DMC-MD 24 C-T](#) [1-445717-6](#) [1484398-2](#) [1484399-2](#) [1484469-2](#) [MR-](#)
[34MG](#) [1484225-1](#) [1484398-1](#) [1484510-4](#) [1604997-2](#) [1663130-1](#) [1663767-7](#) [1663767-8](#) [MTC100-BF1-P31CS015](#)