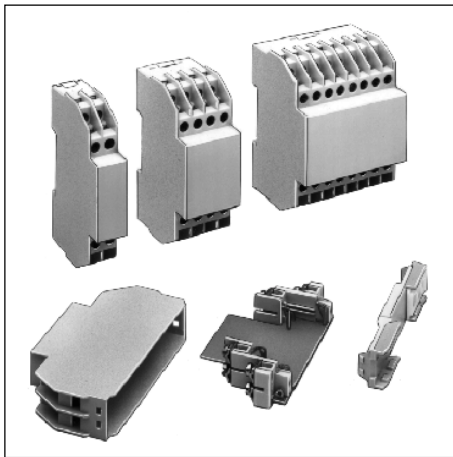
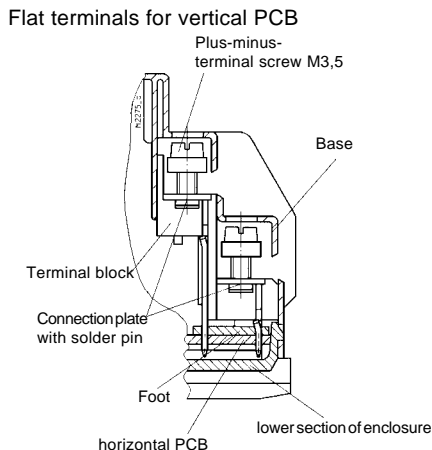
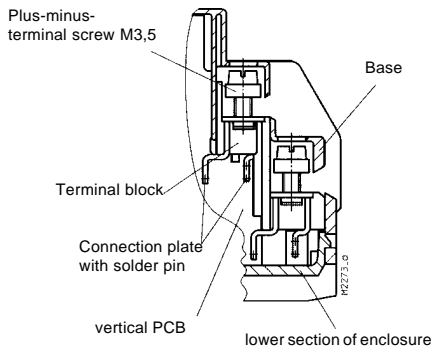


Insulated Enclosure KU 4087, KU 4088 KU 4089 to DIN 43 880 for building-into distribution cabinets or surface mounting



- Width 17,5 / 35 / 70 mm
- 8 / 16 / 32 plus-minus-terminal screws with self raising terminal washers.
Part utilised possible, with blanking plug as option
- Secure termination of max. 2 connection wires of differing cross section
- Machine solderable connection pins, additional wire connection possible
- Housing supplied as single parts, terminals prefitted in terminal blocks



Flat terminals for horizontal PCB

Technical Data

Order references	
8 Terminals	
KU 4087.0031867:	Standard version vertical PCB
KU 4087.0044740:	Standard version horizontal PCB
16 Terminals	
KU 4088.0031868:	Standard version vertical PCB
KU 4088.0036588:	Standard version horizontal PCB
32 Terminals	
KU 4089.0031869:	Standard version vertical PCB
KU 4089.0036437:	Standard version horizontal PCB

Versions with removable front plate, on request

Outer dimensions: 17,5 x 90 x 58 / 35 x 90 x 58 / 70 x 90 x 58
Enclosure material: PC - GF, light grey RAL 7035

Temperature stability:	
complying with UL 746 B:	125 °C
complying with Vicat ISO 306	Meth. B: 148 °C
complying with ISO 75-2	Meth. A: 138 °C Meth. B: 144 °C

Max. permitted power dissipation: 3 W / 4 W / 8 W
at normal climate 23/50-1 ISO 554
specific thermal resistance: R_{th} = 16 K / W; 12 K / W; 8 K / W
for stand-alone enclosure

Flame retardancy
 complying with UL 94: V-0
 complying with IEC 60 707: BH 2-30

Number of terminals: 8 / 16 / 32; < 8, < 16, < 32 on request

Terminal material: Steel strip, tin-plated

Max. cross section for connection: 2 x 2,5 mm² solid
2 x 1,5 mm² stranded DIN 46 228-1/-2/-3/-4
min. Ø 0,1 mm solid

Max. contact resistance to printed circuit board: 20 mΩ

Max. current carrying capacity: 16 A; 40 A on request

Wire fastening: Captive plus-minus-terminal screws M3,5 with self raising terminal washers.
Function compl. with IEC 60 999-1

Inner connection: Machine solderable connection pin for PCB und and soldering lug for stranded

Enclosure fastener: 1) Snap-on fastener on top hat rail EN 50 022
2) Screw fixing M4, grid 90 mm with additional clip as accessory

Creepage current resistance: CTI 175 ≙ insulated material III a IEC 60 664-1

Air gap and creepage distances IEC 60 664-1

Vertical PCB: Air gap distance: ≥ 4,0 mm

Horizontal PCB: Creepage distance: ≥ 6,3 mm
≥ 3,2 mm

Type of protection
Enclosure: IP 40 IEC 60 529
Terminals: IP 20 IEC 60 529

Contact protection complies with VBG 4

Print area: 17 x 44 mm / 35 x 44 mm / 71 x 44 mm

Printed circuit board: See printed circuit board design

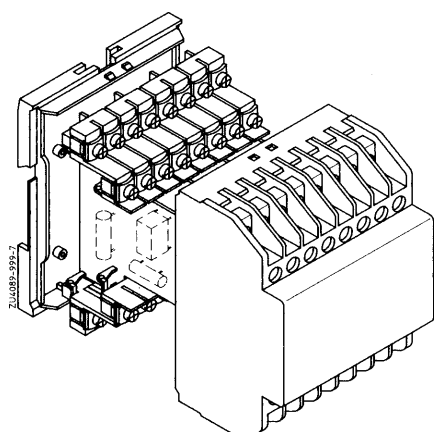
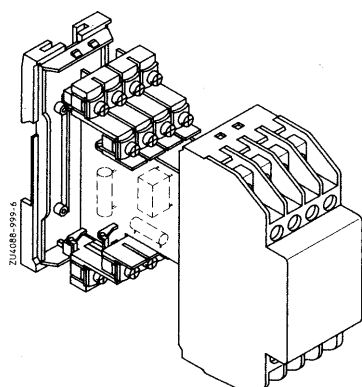
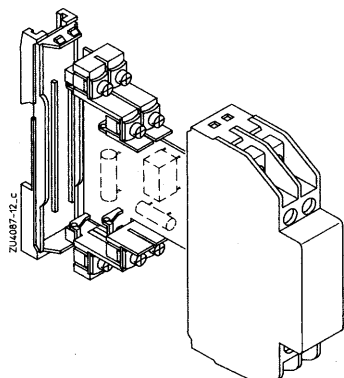
Printed circuit board holder: Guide ribs

Net weight: 42 / 80 / 150 g

Accessories:

- ET 4086-0-2: Second clip for screw fixing
- KU 4089-3-4: Blanking plug for terminal block
- KU 4087-0-2: Blanking plug for Enclosure base
- KU 4087-2-1: Dummy terminal block for vertical PCB
- KU 4089-3-1: Dummy terminal block for horizontal PCB
- KU 4089-3-3: Double foot, for KU 4089-3-1 necessary, 2 pieces KU 4089-3-1 mounted on double foot
- KU 4089-3-1: Foot, for KU 4089-3-1 necessary, 1 piece KU 4089-3-1 mounted on foot

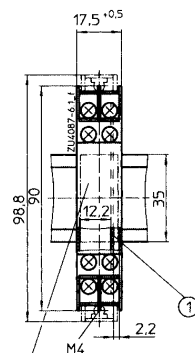
Exploded views



Dimensions Enclosure for vertical PCB

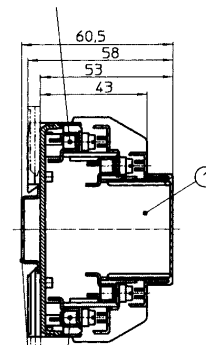
PCBs not included in deliveries

KU 4087.0031867



in area 15 x 35 openings are possible to customers spec.

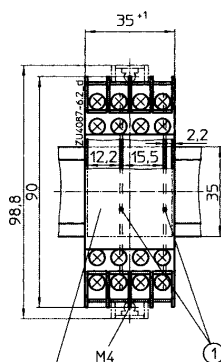
Terminal block fitted
KU 4087-2.1/0142957



Terminal block fitted
KU 4087-3.1/0142958

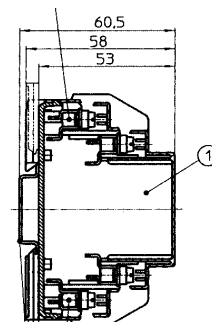
top hat rail
EN 50 022

KU 4088.0031868



in area 33 x 35 openings are possible to customers spec.

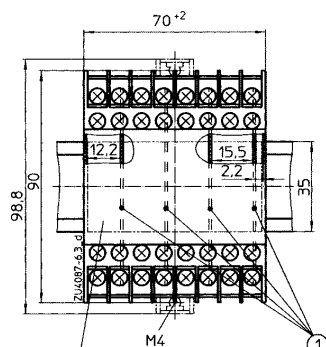
Terminal block fitted
KU 4087-2.1/0142957



Terminal block fitted
KU 4087-3.1/0142958

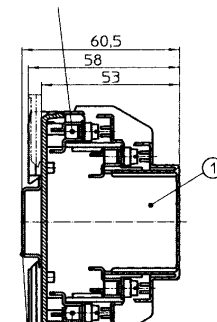
top hat rail
EN 50 022

KU 4089.0031869



in area 67 x 35 openings are possible to customers spec.

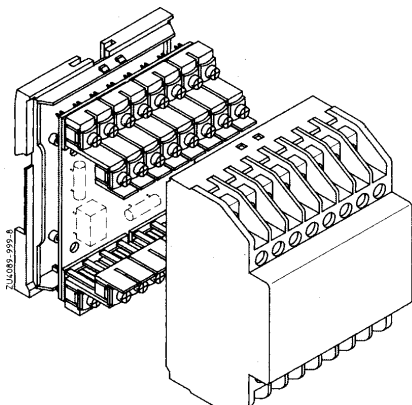
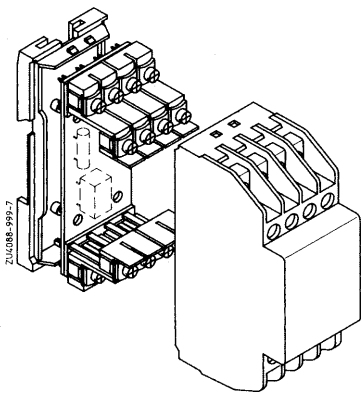
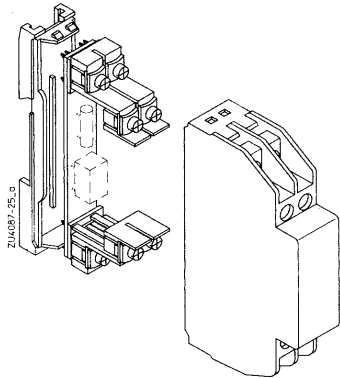
Terminal block fitted
KU 4087-2.1/0142957



Terminal block fitted
KU 4087-3.1/0142958

top hat rail
EN 50 022

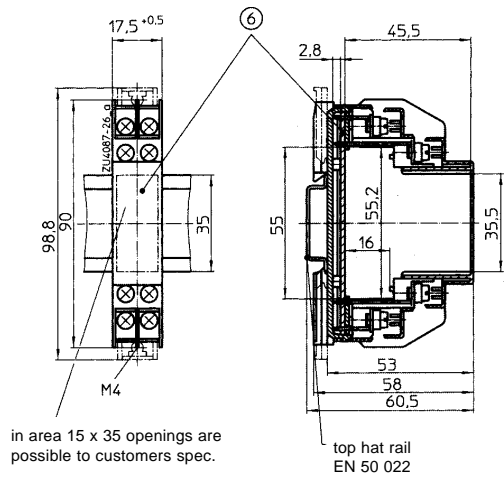
Exploded views



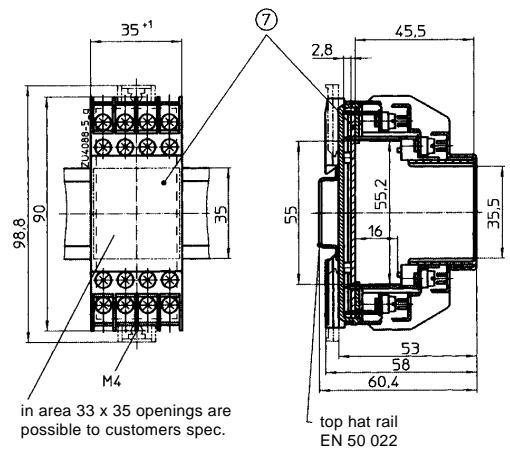
Dimensions Enclosure for horizontal PCB

PCBs not included in deliveries

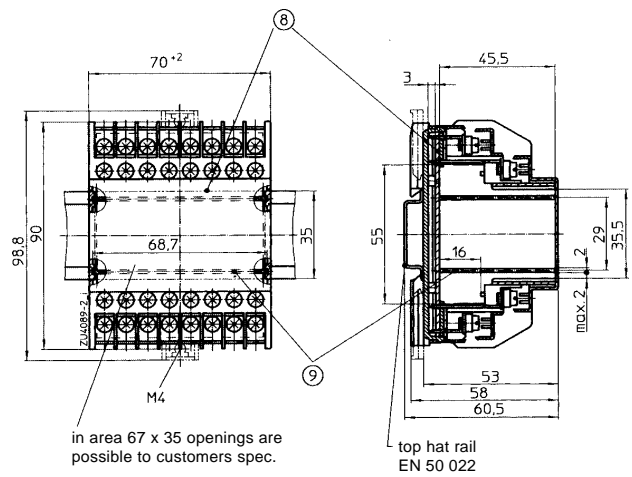
KU 4087.0044740



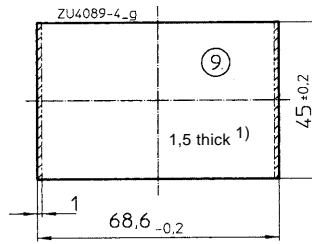
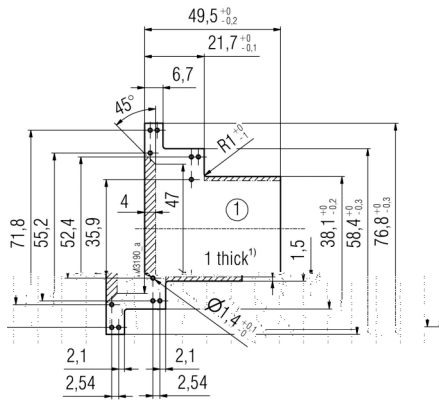
KU 4088.0036588



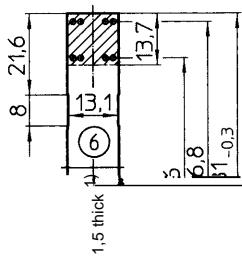
KU 4089.0036437



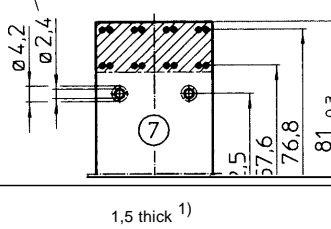
Printed circuit board design



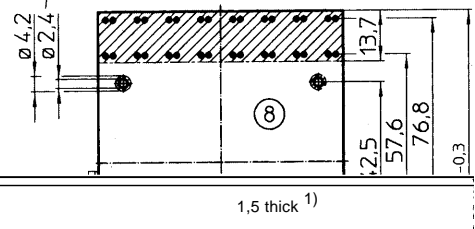
View from component side



Hole $\varnothing 2,4$ on request, for cylindrical screws ISO 1207 - M2 x 3 not included in deliveries



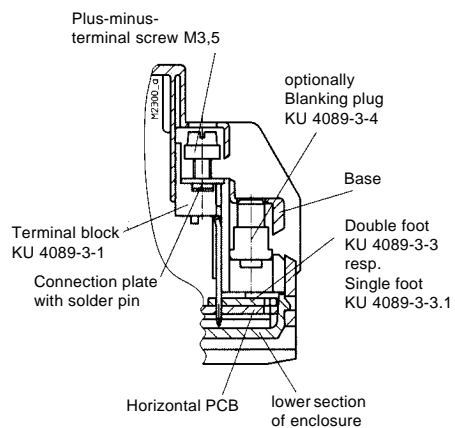
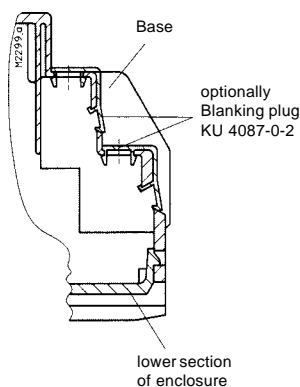
Hole $\varnothing 2,4$ on request, for cylindrical screws M2 x 3 ISO 1207 not included in deliveries



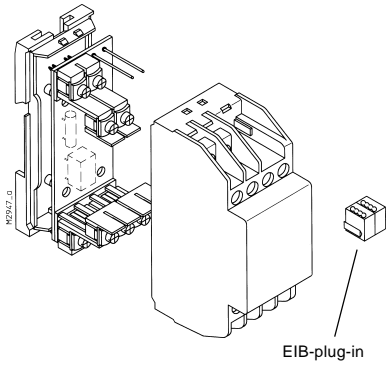
▨ inhibited surface

1) Tolerance complying with IEC 60 249-2-4

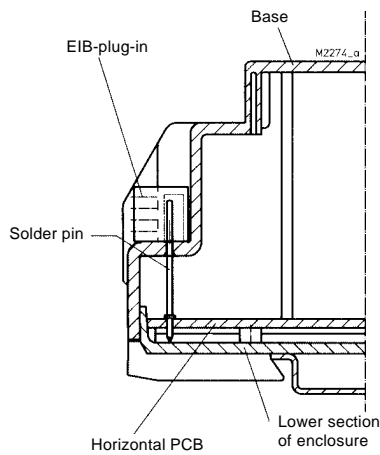
Accessories



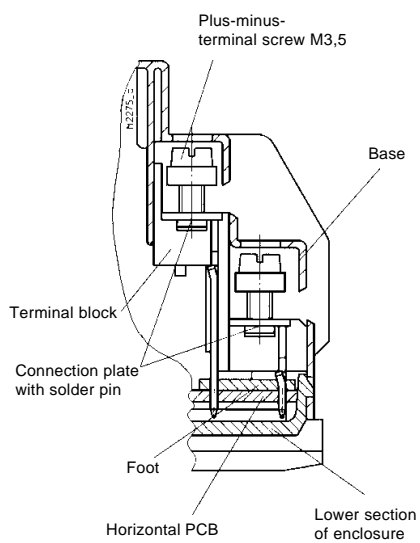
KU 4088 for EIB-plug-in (12-pole)



- Width 35 mm
- Useable for Sensor and Aktor modules in EIB-system
- For standard EIB-plug-in, 2-pole
- 12 plus-minus-terminal screws with self raising terminal washers
- Part insertion possible, available with blanking plugs

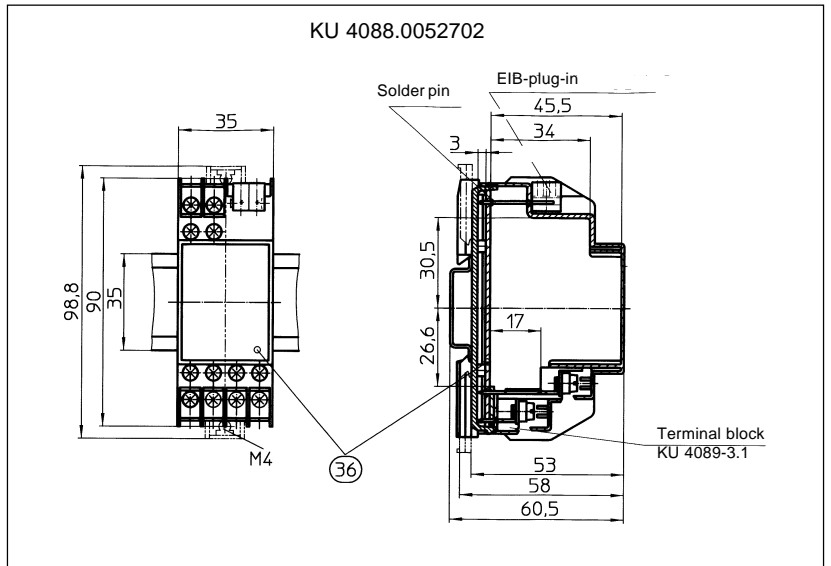


EIB-plug-in

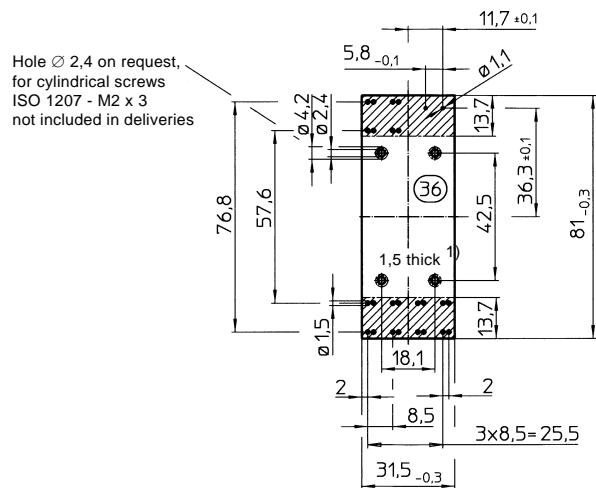


Flat terminals for horizontal PCB

Dimension



Printed circuit board design

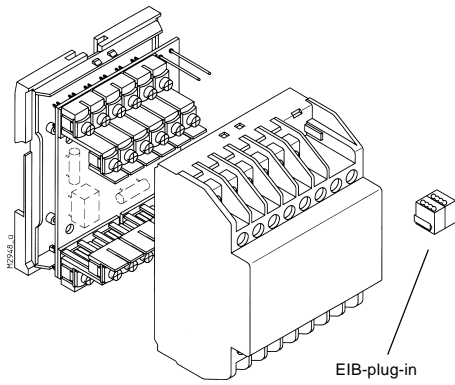


Hole \varnothing 2,4 on request,
for cylindrical screws
ISO 1207 - M2 x 3
not included in deliveries

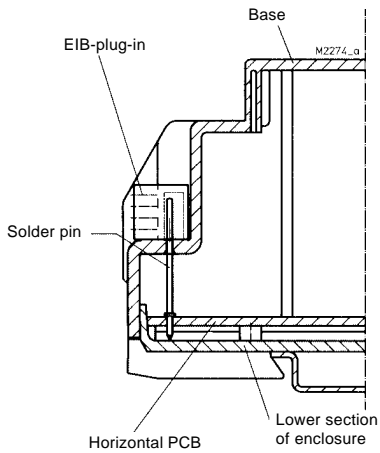
▨ inhibited surface

- 1) Tolerance complying with IEC 60 249-2-4
- 2) Hole \varnothing 2,4 on request, for cylindrical screws ISO 1207 - M2 x 3 not included in deliveries

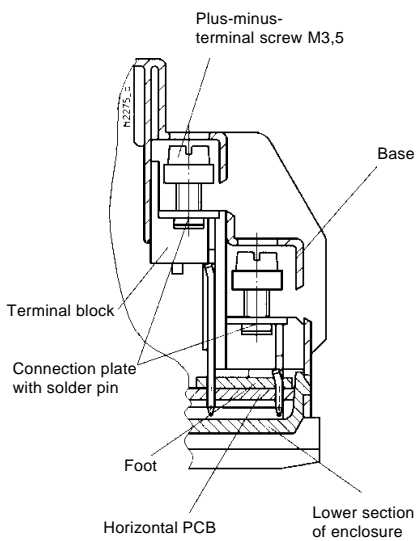
KU 4089 for EIB-plug-in (28-pole)



- Width 70 mm
- Useable for Sensor and Aktor modules in EIB-system
- For standard EIB-plug-in, 2-pole
- 28 plus-minus-terminal screws with self raising terminal washers
- Part insertion possible, available with blanking plugs



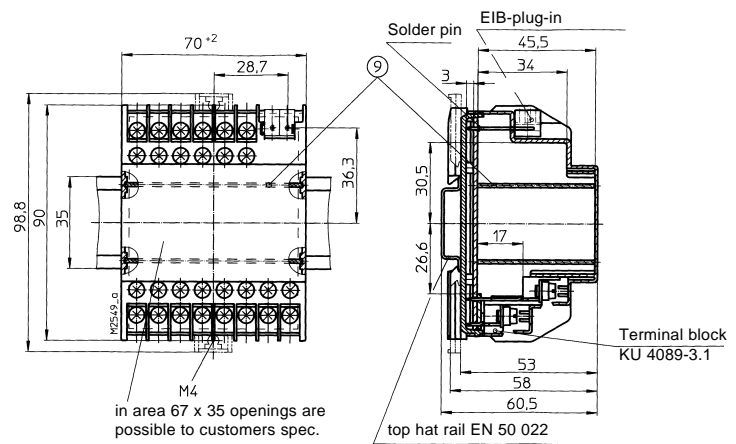
EIB-plug-in



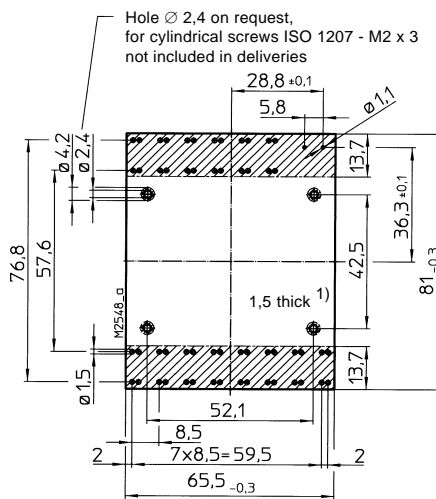
Flat terminals for horizontal PCB

Dimension

KU 4089.0051013



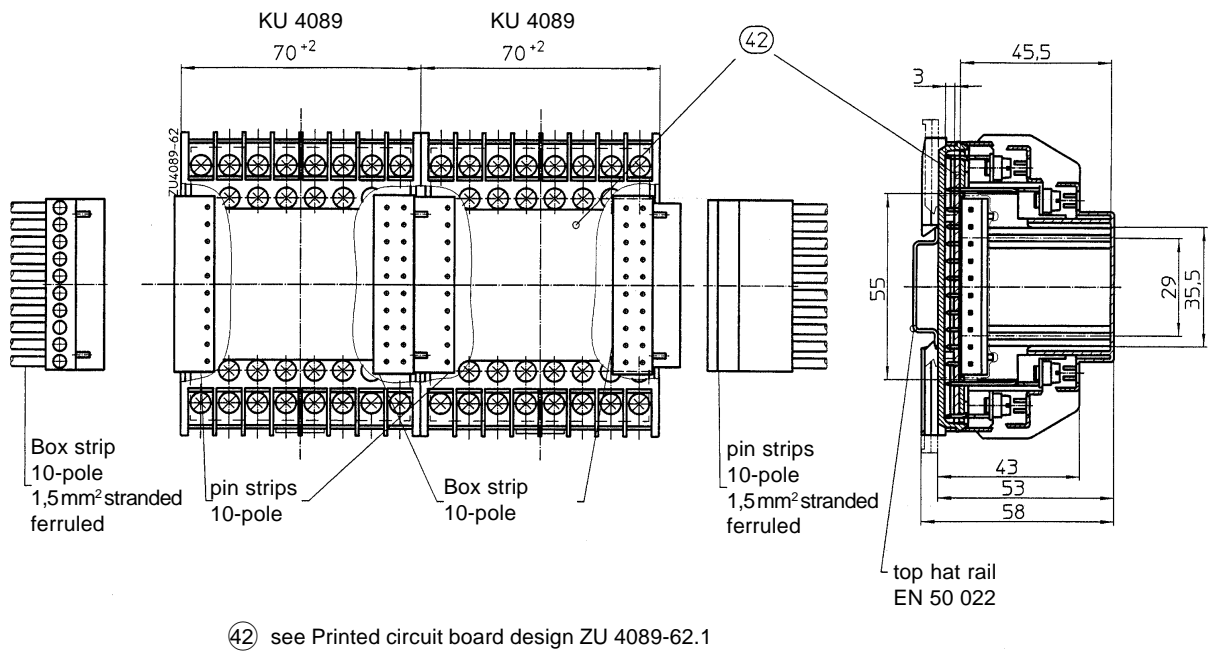
Printed circuit board design



▨ inhibited surface

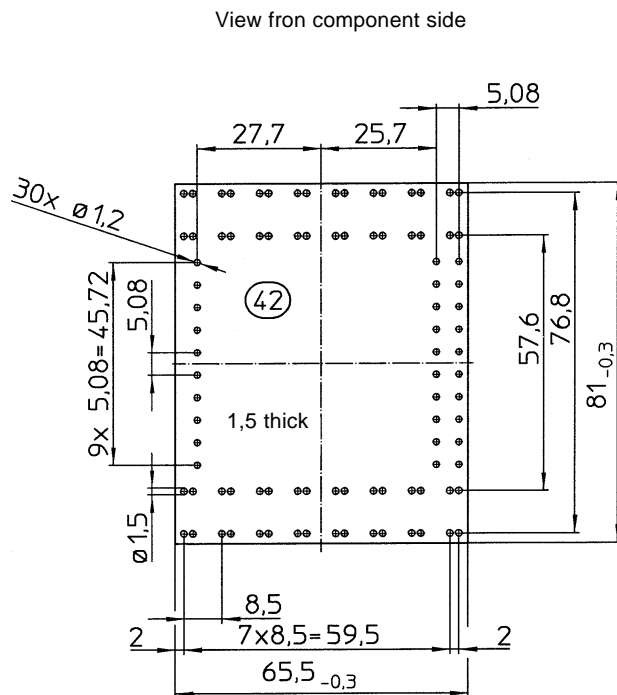
- 1) Tolerance complying with IEC 60 249-2-4
- 2) Hole Ø 2,4 on request, for cylindrical screws ISO 1207 - M2 x 3 not included in deliveries

Dimensions for BUS-connection between enclosure and from row to row



other polarity versions, on request

Printed circuit board design for BUS-connection between enclosure and from row to row



X-ON Electronics

Largest Supplier of Electrical and Electronic Components

Click to view similar products for [dold & soehne](#) manufacturer:

Other Similar products are found below :

[IK 9179.11 3AC 50/60HZ 400V](#) [BD 5935.48 DC 24V](#) [BD 5936.17 AC 50/60HZ 230V](#) [BD 9080.12 3 AC 400V UH AC 230V](#) [IK 8701.12 AC 50HZ 230V](#) [BA 9043/001 3AC 50/60HZ 400V](#) [KU4087.0031867](#)