

**EXCELON®72  
Pressure Regulator  
1/4", 3/8" Port Sizes**

- EXCELON design allows in-line installation or modular installation with other Excelon 72 products
- Full flow gauge ports
- Balanced valve design for optimum pressure control
- Push to lock adjusting knob with tamper resistant accessory
- R72R reverse flow option


**Technical Data**

Fluid: Compressed air

Maximum pressure: 20 bar (290 psig)

Operating temperature\*: -20° to +65°C (0° to +150°F)

\* Air supply must be dry enough to avoid ice formation at temperatures below 2°C (35°F).

Approximate flow at 10 bar (145 psig) inlet pressure, 6,3 bar (90 psig) set pressure and a droop of 1 bar (15 psig) from set:  
33 dm<sup>3</sup>/s (70 scfm)

Gauge ports:

1/8" PTF with PTF main ports

1/8" ISO Rc with ISO Rc main ports

1/8" ISO Rc with ISO G main ports

Materials:

Body: Zinc

Bonnet: Acetal

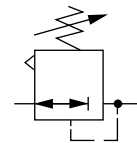
Valve: Brass

Elastomers: Nitrile

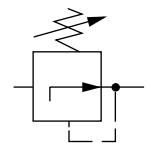
Bottom plug: Acetal

**Ordering Information**

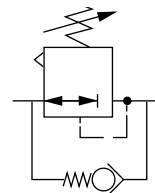
See *Ordering Information* on the following pages.

**ISO Symbols**


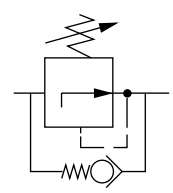
R72G Relieving



R72G Non Relieving



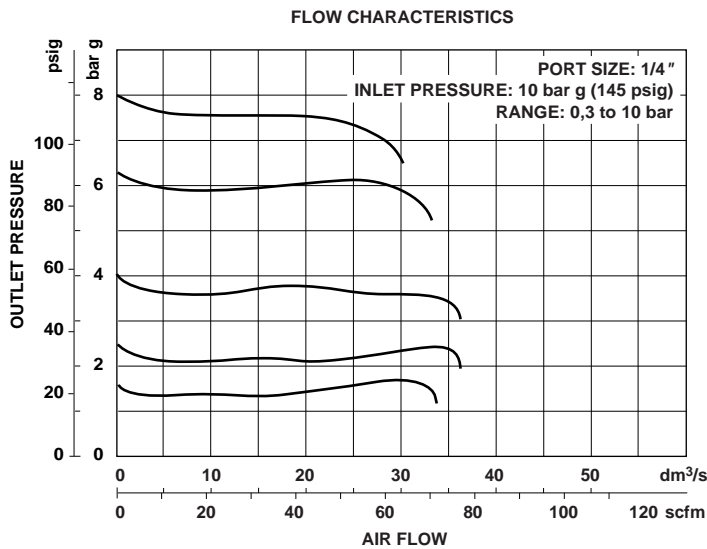
R72R Relieving



R72R Non Relieving



## Typical Performance Characteristics



**Ordering Information.** Models listed include unidirectional flow, ISO G threads, knob adjustment, relieving diaphragm, 0,3 to 10 bar (5 to 145 psig) outlet pressure adjustment range\* without gauge.

Port Size	Model	Flow <sup>†</sup> dm <sup>3</sup> /s (scfm)	Weight kg (lb)
G1/4	R72G-2GK-RMN	33 (70)	0,36 (0.79)
G3/8	R72G-3GK-RMN	33 (70)	0,36 (0.79)

† Typical flow with 10 bar (145 psig) inlet pressure, 6,3 bar (90 psig) set pressure and a 1 bar (15 psig) droop from set.

### Alternative Models

R 7 2 ★ - ★ ★ ★ - ★ ★ ★

Flow Type	Substitute
Standard	G
Reverse flow	R

Port Size	Substitute
1/4"	2
3/8"	3

Threads	Substitute
PTF	A
ISO Rc taper	B
ISO G parallel	G

Gauge	Substitute
With	G
Without	N

Outlet Pressure Adjustment Range*	Substitute
0,3 to 2 bar (5 to 30 psig)	C
0,3 to 4 bar (5 to 60 psig)	F
0,3 to 10 bar (5 to 145 psig)	M

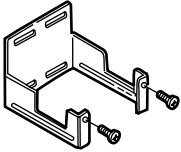
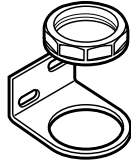


Diaphragm	Substitute
Relieving	R
Non Relieving	N

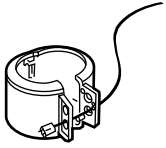
Adjustment	Substitute
Knob	K
T-bar	T

\* Outlet pressure can be adjusted to pressures in excess of, and less than, those specified. Do not use these units to control pressures outside of the specified ranges.



**Accessories**

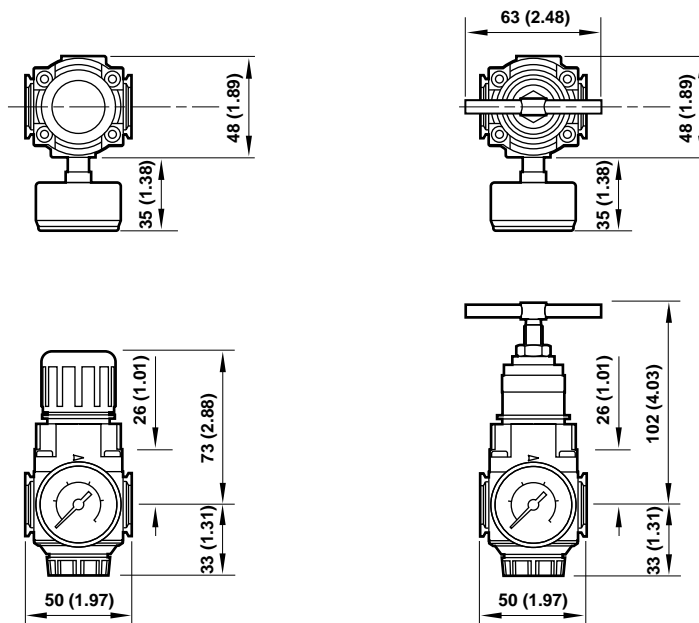
 Wall Mounting Bracket 4224-50	 Neck Mounting Bracket 74316-50 Includes plastic panel nut	 Ø 40 mm Pressure Gauge 4 bar (60 psig): 10 bar (150 psig): 25 bar (360 psig):	R1/8 Connection 18-013-990 18-013-989 18-013-908 1/8 PTF Connection 18-013-211 18-013-212	 Plastic Panel Nut 4248-89
---	--	---	---	---

 Tamper Resistant Cover and Seal wire 4255-51 Seal Wire: 2117-01
---

**Dimensions mm (inches)**

Panel mounting hole diameter: 40 mm (1.57")

Panel thickness: 0 to 4 mm (0" to 0.16")

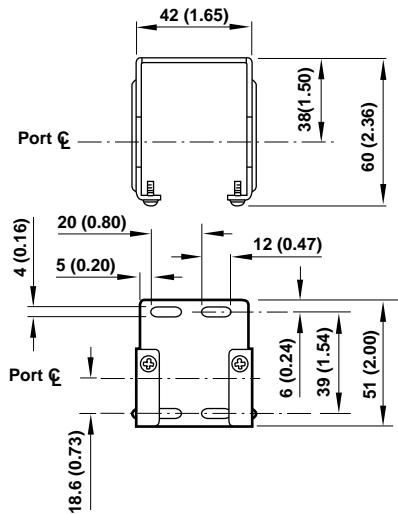




## Bracket Mounting

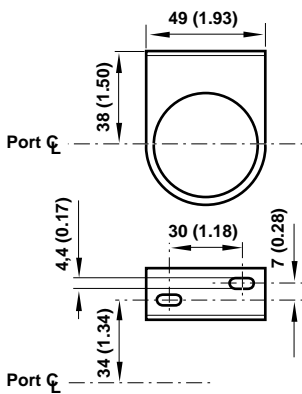
### Wall Bracket

Use 4 mm (5/32") screws to mount bracket to wall.



### Neck Mounting for B72, R72, V72, includes plastic panel nut

Use 4 mm (5/32") screws to mount bracket to wall.



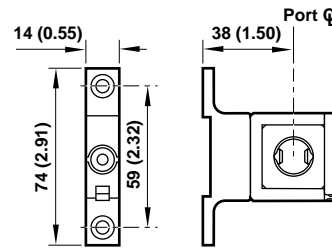
## Service Kits

Item	Type	Part Number
Service kit	Relieving	4381-500
	Non relieving	4381-501

Service kit includes diaphragm assembly, valve assembly, valve spring and o-rings.

### Quikclamp and Quikclamp Wall Bracket

Use 5 mm (3/16") screws to mount bracket to wall.



## Bracket Kit Reference

Item	Part Number
Wall bracket	4224-50
Neck mounting wall bracket	74316-50
Quikclamp and Quikclamp wall bracket	4214-52

## Warning

These products are intended for use in industrial compressed air systems only. Do not use these products where pressures and temperatures can exceed those listed under "Technical Data".

Before using these products with fluids other than those specified, for non-industrial applications, life-support systems, or other applications not within published specifications, consult NORGREN.

Through misuse, age, or malfunction, components used in fluid power systems can fail in various modes. The system designer is warned to consider the failure modes of all component parts used in fluid power systems and to provide adequate safeguards to prevent personal injury or damage to equipment in the event of such failure.

**System designers must provide a warning to end users in the system instructional manual if protection against a failure mode cannot be adequately provided.**

System designers and end users are cautioned to review specific warnings found in instruction sheets packed and shipped with these products.

Water vapor will pass through these units and will condense into liquid if air temperature drops in the downstream system. Install an air dryer if water condensation could have a detrimental effect on the application.

## X-ON Electronics

Largest Supplier of Electrical and Electronic Components

*Click to view similar products for [norgren](#) manufacturer:*

Other Similar products are found below :

[8254200.9151.02400](#) [B72G-2GK-AL3-RMN](#) [C01470828](#) [18-013-989](#) [18-013-990](#) [V61B413A-A213J](#) [100201000](#) [101250828](#) [CS6004010](#)  
[F72G-2GN-AL3](#) [101470838](#) [8240400.9101.23050](#) [M/58308/01](#) [RT/57220/M/40](#) [18-015-013](#) [F74G-4GN-AP3](#) [8240400.9101.02400](#)  
[C01251048](#) [RT/57212/M/50](#) [M/3314](#) [101250628](#) [101470818](#) [RT/57220/M/80](#) [150050038](#) [602112128](#) [V62C413A-A213J](#) [R07-200-RNKG](#)  
[V60A513A-A213J](#) [101250818](#) [10K510618](#) [S/521](#) [101251028](#) [R72G-2GK-RMN](#) [C02260628](#) [C01250838](#) [101470628](#) [C00200400](#) [M/S2](#)  
[102250628](#) [C01470628](#) [R07-100-RNKG](#) [C01470838](#) [0880300000000000](#) [101250838](#) [101470618](#) [18-015-989](#) [101470828](#) [C01251038](#) [18-](#)  
[025-003](#) [C01250828](#)