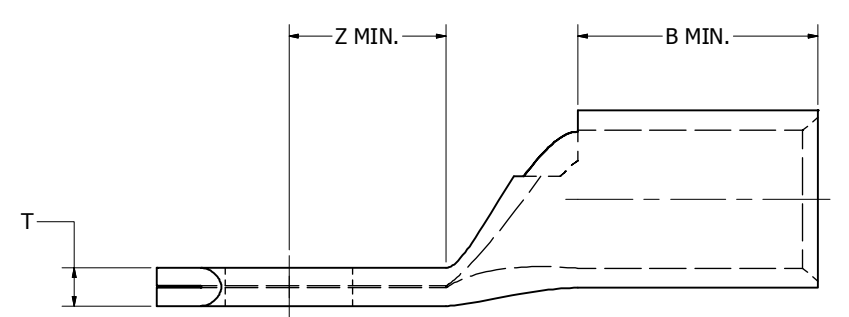
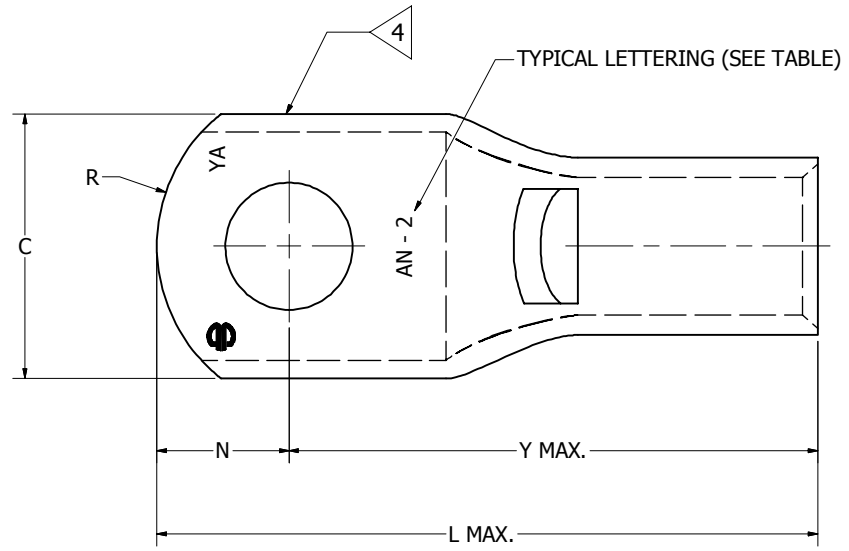


BURNDY CATALOG NUMBER	SIEMENS P/N	SIEMENS SIZE	PRODUCT WEIGHTS lbs	COPPER AIRCRAFT CABLE MIL-W-5036	MS20659 DASH NO.	STUD SIZE	C ±.030	N ±.015	Z MIN.	Y MAX.	L MAX.	T ±.015	B MIN.	R REF.	TOOL INDEX NUMBER
YAV8CL	A1A078370	8ga - #8	0.010	AN - 8	107	10	.407	.203	.278	.942	1.150	.069	.408	.38	38
	A1A031008	8ga - #10					[10]	[5]	[7]	[24]	[2]				
YAV8CL1	A1A045964	8ga - 1/4	.455				.228	.322	.986	1.219	.069				
YAV8CL2	A1A058461	8ga - 5/16	.568				.284	.344	1.008	1.297	.053				
YAV8CL3	A1A045963	8ga - 3/8	[14]				[7]	[9]	[26]	[33]	[1]				
YAV8CL4	A1A067213	1/2 - 1/2	.730				.375	.476	1.140	1.520	.053				
YAV6CL1	A1A031055	6ga - #10	[19]				[10]	[12]	[29]	[39]	[1]				
YAV6CL	A1A009257	6ga - 1/4	.480				.240	.288	1.062	1.307	.069				
YAV6CL4	A1A045138	6ga - 5/16	[12]				[6]	[7]	[27]	[33]	[2]				
YAV6CL2	A1A083088	3/8 - 3/8	0.013				AN - 6	130	10	.600	.300	.351			
	A1A46430	6ga - 3/8		[15]	[8]	[9]				[29]	[36]	[15]			
YAV6CL10	A1A067220	6ga - 1/2	.69	.375	.488	1.26				1.64	.048				
YAV4CL3	A1A031011	4ga - #10	[18]	[10]	[12]	[32]				[42]	[1]				
YAV4CL	A1A042915	4ga - 1/4	.52	.250	.277	1.12				1.37	.069				
YAV4CL4	A1A046429	4ga - 5/16	[13]	[6]	[7]	[28]				[35]	[2]				
YAV4CL2	A1A031012	4ga - 3/8	.53	.313	.330	1.17				1.49	.069				
YAV4CL5	A1A067214	4ga - 1/2	[13]	[8]	[8]	[29]				[38]	[2]				
YAV2CL1	A1A025673	2ga - 1/4	.60	.375	.465	1.30				1.68	.060				
YAV2CL2	A1A008369	2ga - 5/16	[15]	[10]	[12]	[33]				[43]	[2]				
YAV2CL	A1A025492	2ga - 3/8	.71	.344	.349	1.373	1.722	.091							
YAV2CL4	A1A031057	2ga - 1/2	[18]	[9]	[9]	[35]	[44]	[2]							
YAV25L1	A1A031044	1/0 - 1/4	.688	.385	.464	1.488	1.878	.080							
YAV25L2	A1A031045	1/0 - 5/16	[17]	[10]	[12]	[38]	[48]	[2]							
YAV25L	A1A029655	1/0 - 3/8	.770	.415	.428	1.608	2.028	.110							
YAV25L3	A1A067215	1/0 - 1/2	[20]	[11]	[11]	[41]	[52]	[3]							
YAV26L1	A1A009468	2/0 - 1/4	.830	.440	.464	1.644	2.089	.105							
YAV26L2	A1A008081	2/0 - 5/16	[21]	[11]	[12]	[42]	[53]	[3]							
YAV26L	A1A025491	2/0 - 3/8	.880	.467	.480	1.847	2.319	.114							
YAV26L3	A1A031059	2/0 - 1/2	[22]	[12]	[12]	[47]	[59]	[3]							
YAV27L20	A1A011162	3/0 - 5/16	.934	.515	.520	1.934	2.454	.125							
YAV27L	A1A028997	3/0 - 3/8	[24]	[13]	[13]	[49]	[62]	[3]							
YAV27L1	A1A065421	3/0 - 1/2	1.030	.560	.600	2.155	2.720	.135							
YAV28L56	A1A010388	4/0 - 5/16	[26]	[14]	[15]	[55]	[69]	[3]							
YAV28L	A1A031062	4/0 - 3/8	.880	.560	.600	2.155	2.720	.135							
YAV28L12	A1A067199	4/0 - 1/2	[28]	[14]	[15]	[55]	[69]	[3]							

REV	DATE	DESCRIPTION	ECO	BY	CHK.
A	09/07/2012	CREATE NEW SALES DRAWING FOR "SIEMENS"	28627	DD	MB



- NOTES:
- MATERIAL: COPPER TUBING.
 - FINISH: TIN PLATED.
 - DIMENSIONS IN BRACKETS [] ARE IN MILLIMETERS ROUNDED OFF TO THE NEAREST MILLIMETER, UNLESS OTHERWISE SPECIFIED AND ARE FOR REFERENCE ONLY.
- 4 DUE TO METHODS MANUFACTURING, SERRATIONS APPEAR ON TONGUE.

"FOR SIEMENS USE ONLY"

TO ORDER BURNDY® PRODUCTS CALL		HYLUG™	
UNITED STATES		ITEM NO: SEE TABLE	
1-800-346-4175 (LONDONDERRY, NH)		CAT. NO: YAV--L- (TABLE)	
CANADA:		DRAWN BY: D DHEENA 9/7/2012	
1-800-361-6975 (QUEBEC)		CHECKER: E MARTIN 12/13/2012	
1-800-387-6487 (ALL OTHER PROVINCES)		DSN APRVL: E MARTIN 12/13/2012	
FOR PRODUCT INFO: http://www.burndy.com		MFG APRVL: --	
		QA APRVL: C ACKERMAN 1/3/2013	
		MKT APRVL: S GALE 12/13/2012	
		PROD FAM: --	
		PROJECT #: --	
		DOCUMENT TYPE: SALES	
		REL LEVEL: Released	
		DRAWING NO	
		50008330	
		REV	
		A	
		SHEET 1 OF 1	

X-ON Electronics

Largest Supplier of Electrical and Electronic Components

Click to view similar products for [Terminals](#) category:

Click to view products by [FCT Electronics](#) manufacturer:

Other Similar products are found below :

[HT-13-10](#) [71M-250-32-NB](#) [01-2065-1-0216](#) [00581P0075](#) [M10-10RX](#) [M10BCK](#) [60205-1](#) [604200-1](#) [60598-1-CUT-TAPE](#) [60617-1-C](#) [60873-1](#) [M14-516R/SK](#) [M14-6RSX](#) [M18-10FLX](#) [M18-8FBX](#) [M18-8R/LX](#) [M18BCK](#) [61314-6-C](#) [61-S](#) [61-SN-A](#) [62-NBM-A](#) [63-S](#) [640179-1](#) [640917-2-CUT-TAPE](#) [6501550002](#) [66107-2-C](#) [696683-1](#) [696834-1](#) [696861-1](#) [696931-1](#) [696999-1](#) [M8-516RK](#) [M86700006](#) [MA250DMFMX-A](#) [701-2007](#) [701-2307](#) [701-7761-03](#) [70F-110-32-PB](#) [718-N-A](#) [71M-187-20-NBL](#) [71M-250-32-NBL](#) [72F-187-20-NBL](#) [72M-250-32-NBL](#) [7310](#) [73F-250-32](#) [73F-250-32-NBL](#) [73F-250-32-NL](#) [F14-10C](#) [F-1M](#) [751-250](#)