

HIGH CURRENT MULTILAYER CHIP BEAD

ACML-1206H



RoHS
Compliant



3.2 x 1.6 x 0.9mm

FEATURES:

- Multilayer monolithic structure yields high reliability
- Unique terminal electrode structure ensures permissible currents
- High impedance over a wide frequency range

APPLICATIONS:

- Audio & Video Equipment
- Automotive Electrical Equipment
- Communication Equipment
- OA Equipment

STANDARD SPECIFICATIONS:

PARAMETERS

ABRACON P/N:	ACML-1206H-xxx Series
Operating temperature:	-55°C to + 125°C
Storage temperature:	-55°C to + 125°C

Part Number	Z	Test Freq.	Rdc(Ω)	Ir(mA)
	(Ω)±25%	(MHz)	Max	Max
ACML-1206H-110	11	100	0.02	4000
ACML-1206H-190	19	100	0.02	4000
ACML-1206H-260	26	100	0.02	4000
ACML-1206H-310	31	100	0.02	4000
ACML-1206H-700	70	100	0.05	3000
ACML-1206H-121	120	100	0.05	3000
ACML-1206H-181	180	100	0.1	2500
ACML-1206H-221	220	100	0.1	2500
ACML-1206H-301	300	100	0.15	2200
ACML-1206H-601	600	100	0.2	2000
ACML-1206H-102	1000	100	0.3	1500
ACML-1206H-122	1200	100	0.3	1200
ACML-1206H-152	1500	100	0.35	1000
ACML-1206H-202	2000	100	0.45	700

Ir: Rated current applied when the chip surface temperature rise 20°C

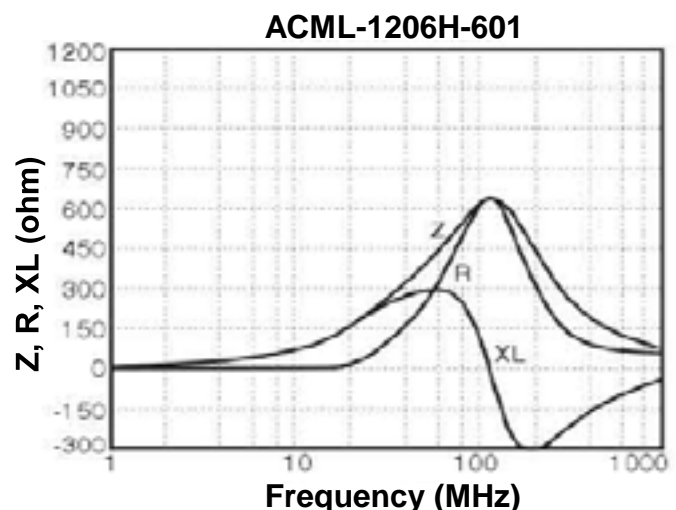
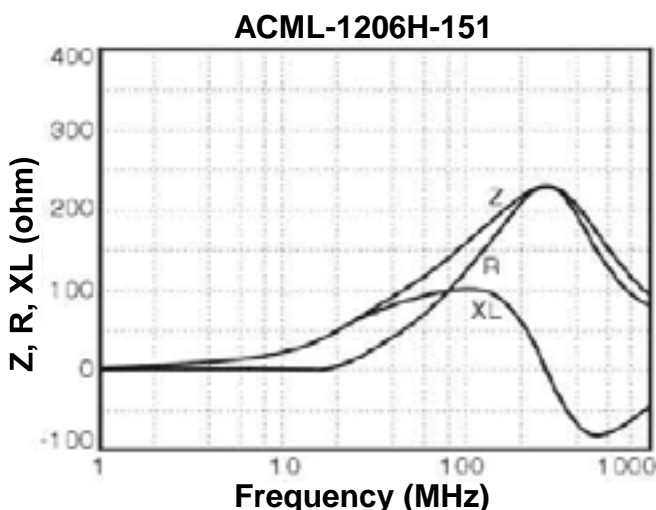
OPTIONS AND PART IDENTIFICATION:

(Left blank if standard)

ACML-1206H-□□□ - □

Impedance		Packaging	
Please refer to the tables		T	Tape and Reel

TYPICAL ELECTRICAL CHARACTERISTICS:



ABRACON IS
ISO 9001 / QS 9000
CERTIFIED



ABRACON
CORPORATION

Visit www.abracon.com for Terms & Conditions of Sale **Revised: 02.08.08**
30332 Esperanza, Rancho Santa Margarita, California 92688
tel 949-546-8000 | fax 949-546-8001 | www.abracon.com

HIGH CURRENT MULTILAYER CHIP BEAD

ACML-1206H

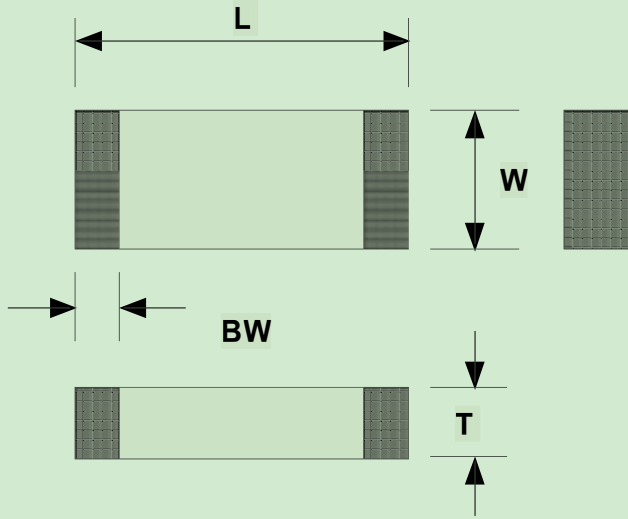


RoHS
Compliant



3.2 x 1.6 x 0.9mm

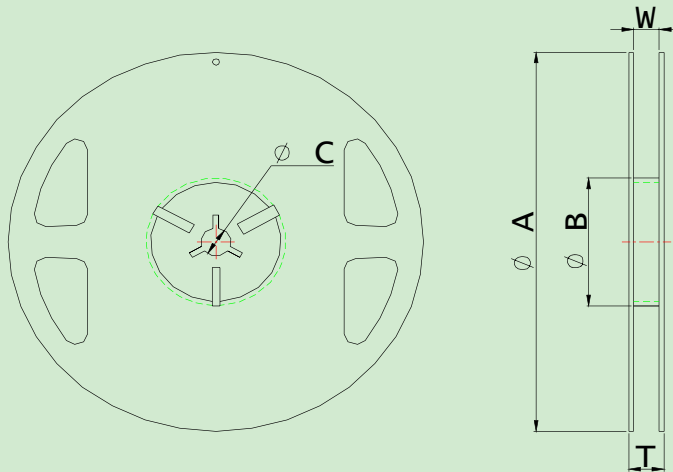
OUTLINE DRAWING:



Length (L)	0.126±0.008 (3.20±0.20)
Width (W)	0.063±0.008 (1.60±0.20)
Thickness (T)	0.035±0.008 (0.90±0.20)
Termination (BW)	0.020±0.012 (0.50±0.30)

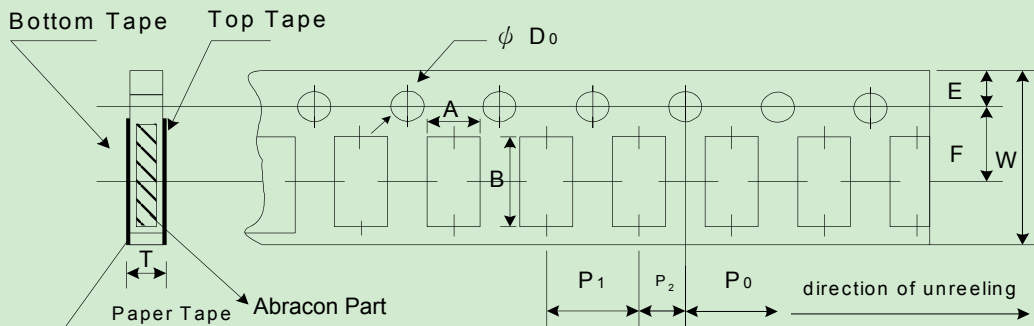
TAPE & REEL: Tape and reel 3,000pcs/reel

Dimensions of Reel



	mm
A	178±2
B	60±2
C	13.0±0.5
W	10.0±1.15
T	12.0±1.0

Dimensions of Tape



Codes	A	B	W	E	F
ACML-1206	2.0±0.2	3.6±0.2	8.00±0.3	1.75±0.1	4.0±0.1

Codes	P ₀	P ₁	P ₂	ΦD ₀	T
ACML-1206	4.00±0.10	4.00±0.10	2.00±0.05	1.55±0.05	1.0±0.05

Dimension: mm

ABRACON IS
ISO 9001 / QS 9000
CERTIFIED



Visit www.abracon.com for Terms & Conditions of Sale Revised: 02.08.08
30332 Esperanza, Rancho Santa Margarita, California 92688
tel 949-546-8000 | fax 949-546-8001 | www.abracon.com

X-ON Electronics

Largest Supplier of Electrical and Electronic Components

Click to view similar products for [EMI Filters](#) / [EMI Suppression](#) category:

Click to view products by [ABRACON](#) manufacturer:

Other Similar products are found below :

[CX0805MRX7R7BB473](#) [CZB1EGTTP700P](#) [CZB1JGTTD101P](#) [CZB1JGTTD151P](#) [CZB1JGTTD152P](#) [CZB1JGTTD601P](#)
[CZB2AFTTD800P](#) [CZB2AGTTD121P](#) [CZB2AGTTD601P](#) [CZB2BFTTE600P](#) [PE-0402FB121ST](#) [EMI0805R-11](#) [BMB1J1000LN2](#)
[BMB2A0430RS2](#) [BMB2A0470LN2](#) [ILAS1206ER102V](#) [SMB2.5-1TR](#) [CZB1EGTTP121P](#) [CZB1JGTTD102P](#) [CZB1JGTTD121P](#)
[CZB1JGTTD221P](#) [CZB2AGTTD301P](#) [CZB2BFTTE301P](#) [CZB2BFTTE601P](#) [4221R-1](#) [432703069121](#) [432703069351](#) [ILAS1206ER121V](#)
[4221R-2](#) [4221R-3](#) [4221R-4](#) [432703041941](#) [432703041971](#) [432703069131](#) [EMI0805R-120](#) [EMI0805R-2000](#) [EMI0805R-600](#) [NCB-](#)
[GH0402D121TR060F](#) [NCB-H1812D125TR150F](#) [CZB2AGTTD102P](#) [BMB2A0150AN1](#) [NCB0402P301TR005F](#) [NCB0805A121TR050F](#)
[NCB-H0805A102TR150F](#) [NCB0402P300TR030F](#) [NCB0402P601TR030F](#) [NCB-H0603R121TR300F](#) [NCB-H0805A220TR600F](#)
[432703069091](#) [CX0805MRX7R8BB223](#)