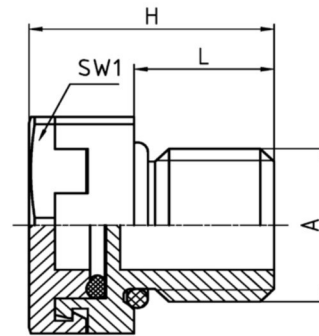
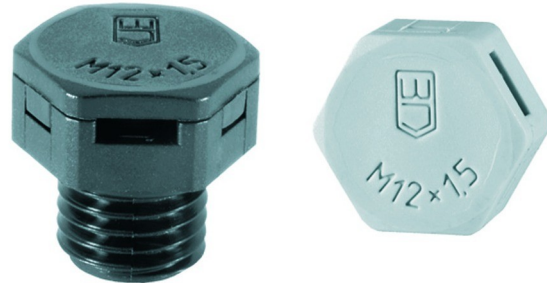


## Configuration

Body	Polyamide PA6 V-0
Membrane	Polyether sulphone PES
O-ring	Nitrile rubber
Connecting thread	metric, as per EN 60423

## Properties

	<ul style="list-style-type: none"> <li>protection for hermetically sealed electro-technical and electronic enclosures against condensation water from alternating temperature and pressure</li> <li>pressure, continuous ventilation and adaption of the inner pressure</li> <li>hydrophobic and oleophobic PES-membrane</li> </ul>
Typical air flow	90 - 130 ml/min/cm <sup>2</sup> bei $\Delta p = 0,01$ bar
Water entry pressure	> 1 bar
Temperature range	-40°C +100°C
Protection grade	IP66 67bar IP69K




## Features



RAL 9005


Connecting thread standard length


A	L	SW1	H		Part No.
	mm	mm	mm	Piece	
M12x1,5	10	17	17,8	100	JDAE12PA/SW




RAL 7035

Connecting thread standard length

A	L	SW1	H		Part No.
	mm	mm	mm	Piece	
M12x1,5	10	17	17,8	100	JDAE12PA7035

A	L	SW1	H		Part No.
	mm	mm	mm	Piece	

Connecting thread short

A	L	SW1	{Höhe L1}		Part No.
	mm	mm	mm	Piece	
M12x1,5	6	17	13,8	100	JDAE12PA067035

## X-ON Electronics

Largest Supplier of Electrical and Electronic Components

*Click to view similar products for [hylec manufacturer](#):*

Other Similar products are found below :

[LN167001](#) [50.625 PA/3X7](#) [50.620 PA/R](#) [DESTB-1003](#) [THB.406.A1G](#) [THB.387.A4A.R](#) [K150-1032-00](#) [THB.380.3ASSY](#)  
[GHG9601955R0004](#) [THB.381.M2A](#) [K151-1032-00](#) [HYKS-07612PP](#) [THB.382.A1A-KIT](#) [THB.390.A1AKIT](#) [THK.404.X2A00-F](#) [50.216 ES](#)  
[50.616M/EMVDL-F](#) [50.625 ES](#) [PA244SKIT](#) [THB.387.A3A](#) [THB.405.A2A](#) [50.220 M-F](#) [HY435/12 FV](#) [THB110A6B-F](#) [50.216 M-F](#)  
[THB.387.B5A](#) [5625////1121](#) [THB.405.A2G](#) [THA.209.A1A](#) [DESTB-1002](#) [THB.384.A1A](#) [K257-1012-00](#) [6000302CC](#) [TTK25BK-SD-F](#)  
[TTK20GY-SD-F](#) [DESTB-0403](#) [50.625 PA/RSW](#) [HY508/3 V/3F](#) [5665/221](#) [THB.387.D4A](#) [THB.387.B4A](#) [THR.405.S5A](#) [THB.387.A5A](#)  
[THB.387.C5A](#) [THB.387.D3A](#) [50.625 M/EMVDL-F](#) [THK.200.3T](#) [THB.381.A2A](#) [K160-1040-00](#) [6000337BC](#)