

THIS DRAWING IS A CONTROLLED DOCUMENT FOR SOURIAU USA, INC. IT IS SUBJECT TO CHANGE WITHOUT NOTIFICATION. CONTACT THE DOCUMENT CONTROL CENTER FOR THE LATEST REVISION.

C

B

THE INFORMATION CONTAINED IN THIS DRAWING IS CONFIDENTIAL AND MAY NOT BE DISCLOSED WITHOUT WRITTEN CONSENT FROM SOURIAU USA, INC.

**ELECTRICAL:**

EMI SHIELDING : SHIELDED FOR THE RANGE 55dB UP TO 100MHZ  
 INSULATION RESISTANCE : >500MΩ PER ANSI-EIA-364-D METHOD 21  
 MAX. CURRENT RATING : SEE INSULATOR DRAWING  
 CONNECTOR TESTING VOLTAGE : SEE INSULATOR DRAWING  
 CONNECTOR WORKING VOLTAGE : SEE INSULATOR DRAWING

**PHYSICAL:**

MAXIMUM WIRE SIZE USED : SEE INSULATOR DRAWING

CABLE DIAMETER WITH PLASTIC COLLET SET SUPPLIED: Ø1.5mm MIN. TO Ø5.5mm MAX.

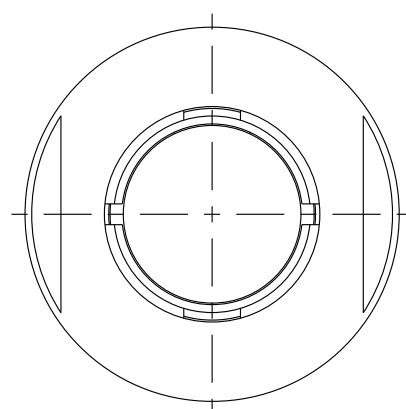
**ENVIRONMENTAL:**

ENDURANCE: 1000 CYCLES AS PER MIL-STD 1344A, METHOD 2016.1  
 SHOCK: 50 g , DURATION 6 ms; AS PER MIL-STD 1344A, METHOD 2004.1  
 VIBRATIONS: 10 TO 2000Hz g = 15g. AS PER MIL-STD 1344A, METHOD 2005.1  
 PROTECTION INDEX: IP 40 AS PER CEI 529  
 ROHS COMPLIANT  
 SALT MIST : 48Hr PER SAE AS 1344 METHOD 1001.1 CEI 529

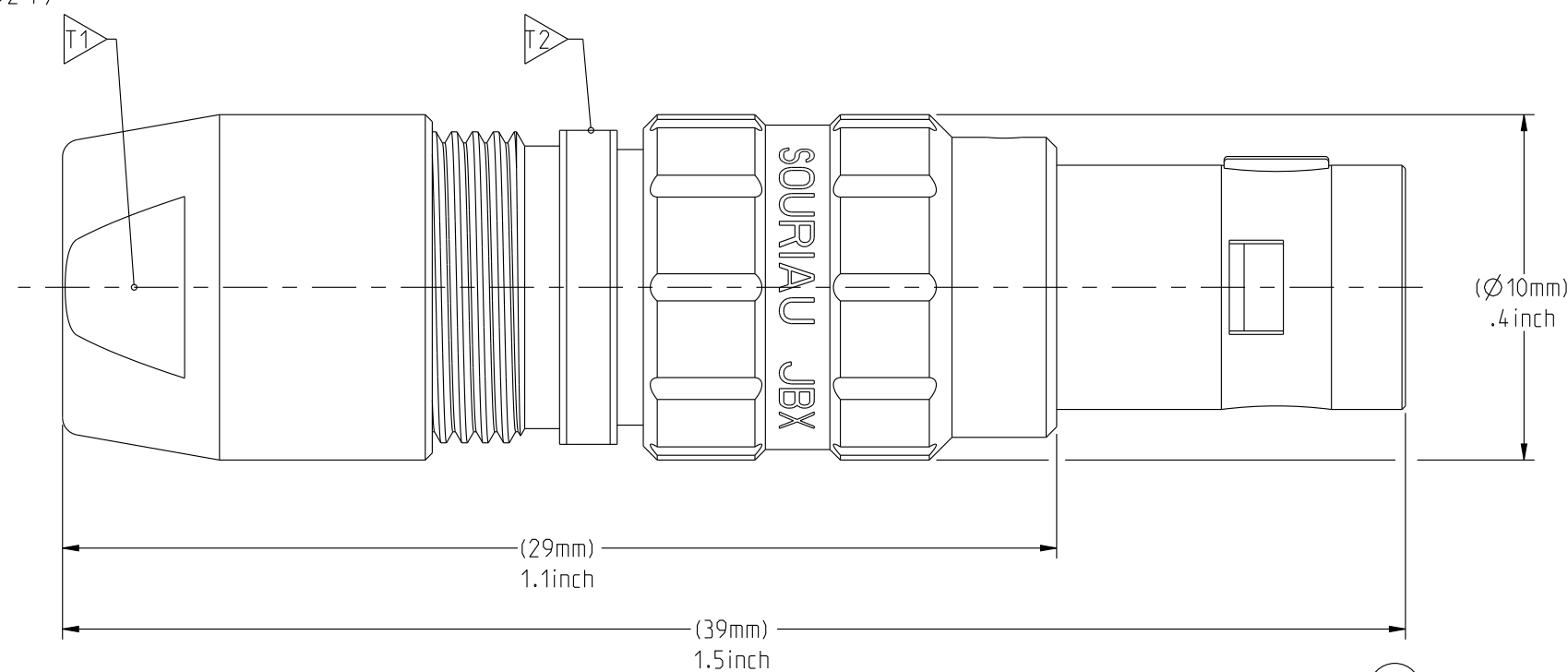
**OPERATING TEMPERATURE:**

WITH PLASTIC COLLETS: -55°C TO +125°C (-67°F TO +257°F)

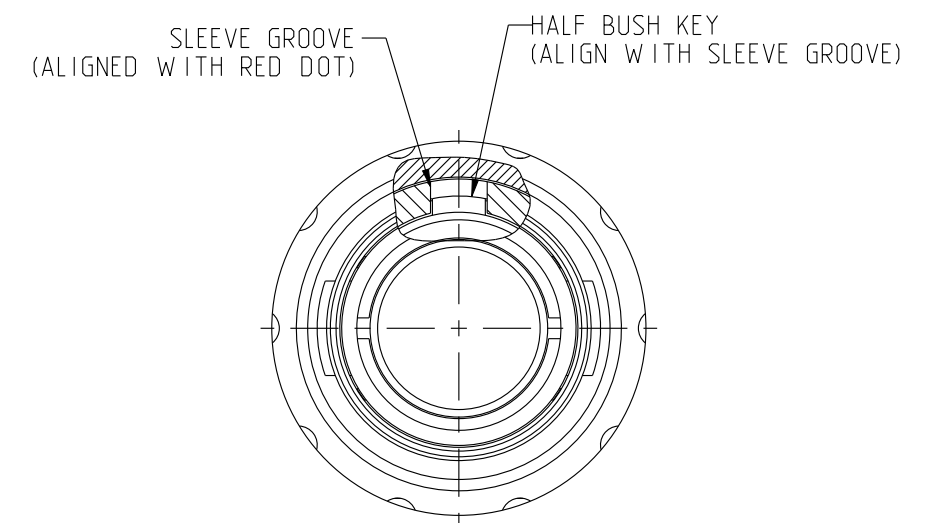
WITH OPTIONAL METALLIC COLLETS: -55°C TO +200°C (-67°F TO +392°F)  
 (ONLY ON REQUEST)



WIRE SIDE VIEW

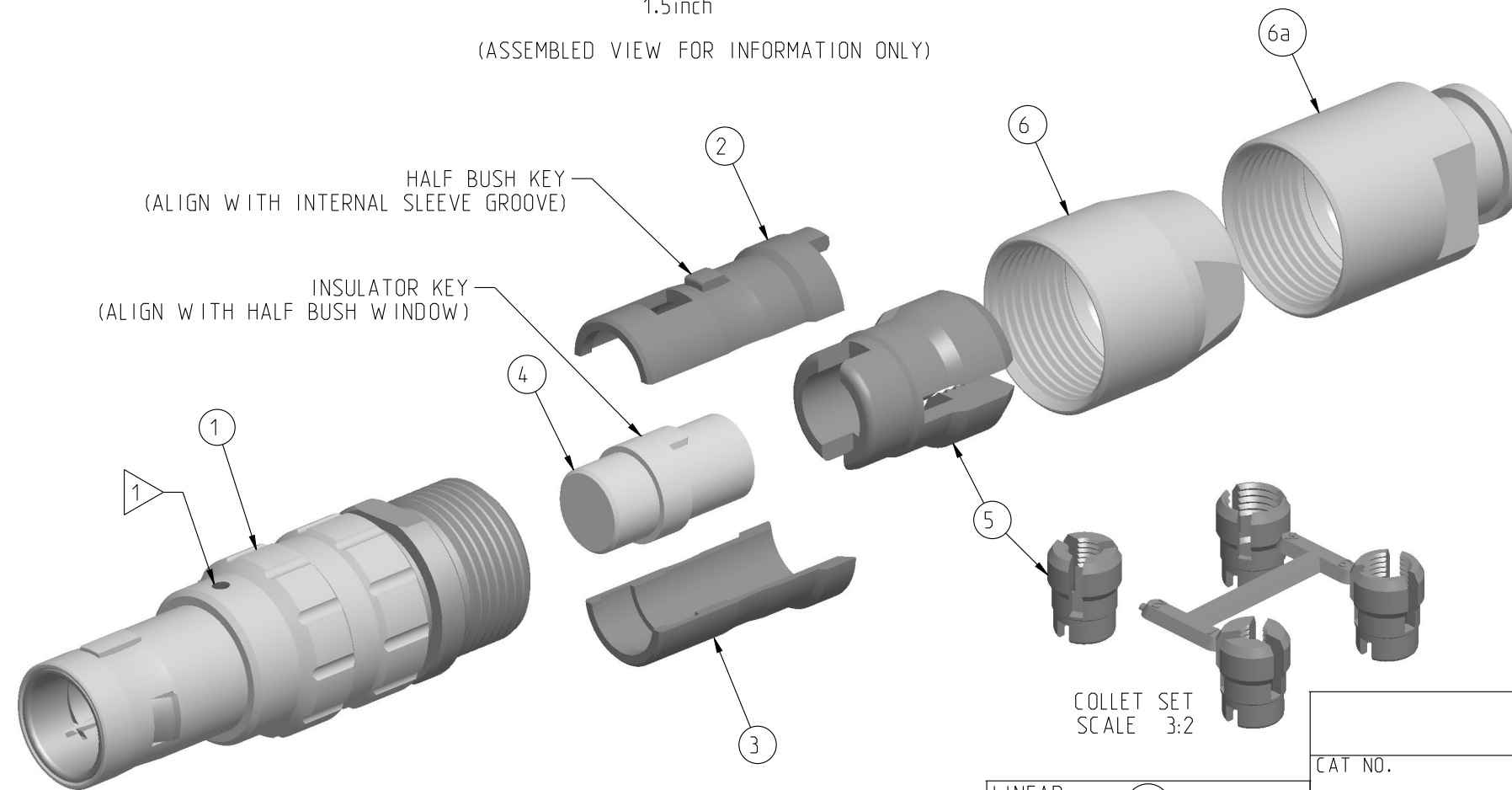


(ASSEMBLED VIEW FOR INFORMATION ONLY)



MATING SIDE VIEW

PART LIST	
ITEM NO.	DESCRIPTION
1	SLEEVE
2	HALF BUSHING WITH WINDOW
3	HALF BUSHING WITHOUT WINDOW
4	INSULATOR
5	Ø1.5-Ø5.5 CABLE COLLET (CHOOSE PER CABLE SIZE)
6	STANDARD BACK NUT
6a	BACK NUT FOR PROTECTIVE BOOT (OPTIONAL)



SCALE 3:1

	TOOLS (JAW DIMENSION)	ADVISED TORQUE IN Nm
T1	8	0.8
T2	9	-

**CATALOG NUMBER DESCRIPTION**

**JBX FD 0 XXXXX DXX**

**BASIC SERIES** \_\_\_\_\_ **OPTION**  
**SHELL TYPE** \_\_\_\_\_ **INSERT MATERIAL**  
**SHELL SIZE** \_\_\_\_\_ **COLLET OPTION**  
**KEYING** \_\_\_\_\_ **SURFACE PLATING**  
**SEE INSULATOR DRAWING**

REV	DESCRIPTION	SKV 06-10-15 BY DATE	EV 06-10-15 CHKD DATE
A	RELEASED PER ECN 12258		

LINEAR MEASURE: $\frac{mm}{INCH}$ $\frac{mm}{(INCH)}$	
THIRD ANGLE PROJECTION	
TOLERANCES UNLESS OTHERWISE SPECIFIED	
No. OF PLACES	mm [INCH]
WHOLE No.	±0.5 [±.02]
ONE PLACE	±0.2 [±.008]
TWO PLACES	±0.1 [±.004]
ANGLES ±1°	

DRAWING TITLE: **JBX, SIZE 0, STRAIGHT PLUG**

CAT NO. \_\_\_\_\_

CAGE NO: 09922    SIZE: C

**CUSTOMER**

**SOURIAU**

www.souriau.com

APPROVAL

DRAWN: SKV	01-08-15
CHKD: EV	01-08-15
DSGN: EV	01-08-15
MFG: DH	01-08-15
QC: BB	01-08-15

DRAWING SCALE: 4:1

DRAWING NO. \_\_\_\_\_ REV \_\_\_\_\_

**JBXFDOC**    **A**

1 OF 1

THIS DRAWING IS A CONTROLLED DOCUMENT FOR SOURIAU USA, INC. IT IS SUBJECT TO CHANGE WITHOUT NOTICE. CONTACT THE DOCUMENT CONTROL CENTER FOR THE LATEST REVISION.

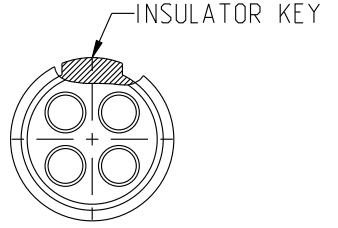
THE INFORMATION CONTAINED IN THIS DRAWING IS CONFIDENTIAL AND MAY NOT BE DISCLOSED WITHOUT WRITTEN CONSENT FROM SOURIAU USA, INC.

2

1

DWG. NO. JBX0INSMSC **MALE INSULATOR, SOLDER CONTACT**

CONTACT LAYOUT	02	03	04	05
FRONT SIDE VIEW				
REAR SIDE VIEW				
CONTACT				
ISO VIEW				
$\varnothing C$	0.9	0.9	0.7	0.7
$\varnothing F$	0.8	0.8	0.81	0.81
MAX. AWG	24	24	22	22
MAX. CURRENT RATING (A)	10	10	7	7
CONTACT RESISTANCE (m $\Omega$ )	3.5	3.5	5	5
NUMBER OF CAVITY	2	3	4	5
MAX. CURRENT RATING	10	8	7	6.5
TEST VOLTAGE (Vrms)	1400	1300	1350	800
WORKING VOLTAGE (Vdc/Vrms)	660/460	600/420	660/460	400/260

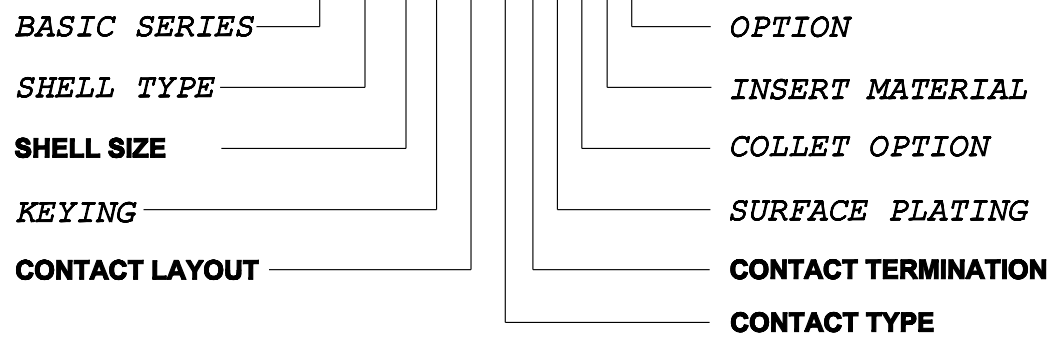


**CONTACT TYPE :** M (MALE)  
**CONTACT TERMINATION :** S (SOLDER)

**MATERIAL :**  
 CONTACT: BRASS  
 CLIP: COPPER ALLOY  
 INSULATOR: PEEK  
 FINISH: GOLD  
 CONTACTS: GOLD

**CATALOG NUMBER DESCRIPTION**

**JBXXX 0 XYYMS XXXX**



B	REVISED PER ECN 12286	RSK 06-10-15	EV 06-10-15
A	RELEASED PER ECN 12264	SKV 03-10-15	EV 03-10-15
REV	DESCRIPTION	BY DATE	CHKD DATE

DRAWING TITLE  
**JBX, SIZE O, MALE INSULATOR, SOLDER CONTACT**

CAT NO. **JBX0INSMS**

CAGE NO: 09922	SIZE: B	APPROVAL	DRAWN: SKV 02-02-15
<b>CUSTOMER</b>	<b>SOURIAU</b>	<b>WWW.SOURIAU.COM</b>	CHKD : EV 02-02-15
			DSGN : EV 02-02-15
			MFG : DH 02-02-15
			QC : BB 02-02-15
			DRAWING SCALE: NA
		DRAWING NO.	REV
		JBX0INSMSC	B
		1 OF 2	

LINEAR MEASURE: $\frac{mm}{INCH}$ mm (INCH)	
THIRD ANGLE PROJECTION	
TOLERANCES UNLESS OTHERWISE SPECIFIED	
No. OF PLACES	mm [INCH]
ONE PLACE	$\pm 3$ [ $\pm .1$ ]
TWO PLACES	$\pm 0.5$ [ $\pm .02$ ]
THREE PLACES	$\pm 0.25$ [ $\pm .010$ ]
ANGLES $\pm 1^\circ$	

INTERPRET THIS DRAWING IN ACCORDANCE WITH ASME Y14.5M - 1994.

B

A

2

1

PRO-E

THIS DRAWING IS A CONTROLLED DOCUMENT FOR SOURIAU USA, INC. IT IS SUBJECT TO CHANGE WITHOUT NOTICE. CONTACT THE DOCUMENT CONTROL CENTER FOR THE LATEST REVISION.

THE INFORMATION CONTAINED IN THIS DRAWING IS CONFIDENTIAL AND MAY NOT BE DISCLOSED WITHOUT WRITTEN CONSENT FROM SOURIAU USA, INC.

2

1

DWG. NO. JBX0INSMSC				
<b>CONTACT LAYOUT</b>	<b>06</b>	<b>07</b>	<b>08</b>	
FRONT SIDE VIEW				
REAR SIDE VIEW				
CONTACT				
ISO VIEW				
CONTACT	ØC	0.5	0.5	0.5
	ØF	0.5	0.5	0.5
	MAX. AWG	28	28	28
	MAX. CURRENT RATING (A)	5	5	5
	CONTACT RESISTANCE (mΩ)	10	10	10
INSULATOR	NUMBER OF CAVITY	6	7	8
	MAX. CURRENT RATING	2.5	2.5	2
	TEST VOLTAGE (Vrms)	680	680	680
	WORKING VOLTAGE (Vdc/Vrms)	320/220	320/220	190/130

B

A

DRAWING TITLE  
**JBX, SIZE O, MALE INSULATOR, SOLDER CONTACT**

CAT NO. **JBX0INSMS**

CAGE NO: 09922      SIZE: B

<b>CUSTOMER</b>	<b>SOURIAU</b>	APPROVAL	DRAWN: SKV 02-02-15
		CHKD : EV 02-02-15	DSGN : EV 02-02-15
INTERPRET THIS DRAWING IN ACCORDANCE WITH ASME Y14.5M - 1994.		MFG : DH 02-02-15	QC : BB 02-02-15
		DRAWING SCALE: NA	
WWW.SOURIAU.COM		DRAWING NO.	REV
		JBX0INSMSC	B

LINEAR MEASURE:	
THIRD ANGLE PROJECTION	
TOLERANCES UNLESS OTHERWISE SPECIFIED	
No. OF PLACES	mm [INCH]
ONE PLACE	±3 [±.1]
TWO PLACES	±0.5 [±.02]
THREE PLACES	±0.25 [±.010]
ANGLES ±1°	

2 OF 2  
**PRO-E**

2

1

## X-ON Electronics

Largest Supplier of Electrical and Electronic Components

*Click to view similar products for [Circular Push Pull Connectors](#) category:*

*Click to view products by [Sunbank](#) manufacturer:*

Other Similar products are found below :

[FEA.1B.308.CYCD72Z](#) [6408-201V-13273](#) [D38999/20ZC8JA](#) [D38999/20ZG39BN](#) [D38999/20ZG41PN-LC](#) [D38999/20ZH21SA](#)  
[D38999/20ZH53SA](#) [D38999/20ZJ20AA](#) [D38999/20ZJ24AA](#) [D38999/20ZJ24SA](#) [D38999/20ZJ29AA](#) [D38999/20ZJ29PA-LC](#)  
[D38999/20ZJ43AA](#) [D38999/20ZJ43BA](#) [D38999/20ZJ43HA](#) [D38999/20ZJ43PA-LC](#) [D38999/20ZJ4AA](#) [D38999/20ZJ61AA](#)  
[D38999/20ZJ61PA-LC](#) [D38999/24ZC35BA](#) [D38999/24ZC4AA](#) [D38999/24ZC4SA-LC](#) [D38999/24ZC8SA](#) [D38999/24ZC8SA-LC](#)  
[D38999/24ZC98BA](#) [D38999/24ZC98PA-LC](#) [D38999/24ZC98SA](#) [D38999/24ZC98SA-LC](#) [D38999/24ZF11SA-LC](#) [D38999/24ZF32BA](#)  
[D38999/24ZF32PA-LC](#) [D38999/24ZF32SA-LC](#) [D38999/24ZF35BA](#) [D38999/24ZF35SA-LC](#) [EXG.00.250.NTNY](#) [FFA.1S.302.CLAZ](#)  
[FFA.2S.310.ZLA](#) [FGA.1B.307.CYCD72Z](#) [FGG.0K.305.CYCC40Z](#) [FGG.2K.302.CLAK90Z](#) [FGG.2K.302.CYCC65](#) [FGG.2K.302.CYCC65Z](#)  
[FGG.2K.302.CYCC85Z](#) [FGG.2K.303.CYCC65Z](#) [FGG.2K.303.CYCK90](#) [FGG.3B.304.CYCD62Z](#) [FGG.3B.304.CYCD82Z](#)  
[FGG.3B.304.CYCD92](#) [FGG.3B.310.CYCD92Z](#) [FGG.3B.330.CYCD62Z](#)