



Marquardt GmbH  
Schloss-Str. 16  
78604 Rietheim-Weilheim

Germany

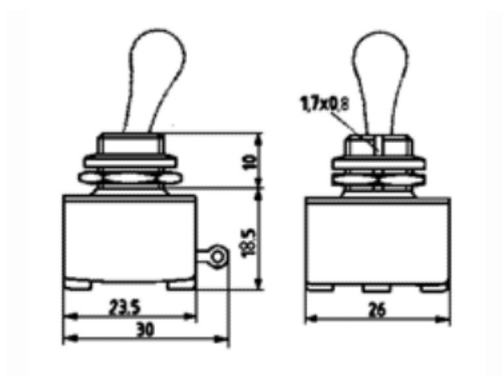
Phone  
: +49 (0) 7424 / 99-0  
Fax : +49 (0) 7424 / 99-2399

Net : [www.marquardt.de](http://www.marquardt.de)  
E-mail : [marquardt@marquardt.de](mailto:marquardt@marquardt.de)


## Product image / Drawings



Similar to original product



## Technical data

<b>Product number</b>	<b>0132.0601</b>
Actuator color / printing	
Business unit	Switches & Sensors
Product Manager	Mattes
Product family	Toggle switches
Weight	27.296 g
ROHS conform	yes
Switching function	ON / OFF switch (DPST)
Material fixed contact	CuZn silver-plated
Number of poles connections	2-polig Solder terminal
Mechanical life endurance	5E4
Rating IEC	2 A 250 V 1E4
Actuators and additional actuators	lever: metal
Housing description	base plate: Duroplast, black bracket plate: CnZn nickel-plated, with labelling 0 - I threaded socket: CnZn nickel-plated, with knurled nut and hexagonal nut of nickel-plated CuZn
Connection surface	bearing connection silver plated external connection silver plated
Contact material	CuZn silver plated
Contact type	jump contact (roll contact)
Miscellaneous	actuating torque 90.0 Nmm ± 27.0
Type of fastening	central fastening M12 x 0.75

## X-ON Electronics

Largest Supplier of Electrical and Electronic Components

*Click to view similar products for [Toggle Switches](#) category:*

*Click to view products by [Marquardt](#) manufacturer:*

Other Similar products are found below :

[8A1-C-222](#) [60012L](#) [6006L](#) [6663](#) [7101MD9V30GE](#) [7101SPDV30BE](#) [7103SDV30BE](#) [7105D](#) [7108P3YAV2BE](#) [71YY50282](#)  
[7201MD9AVBE](#) [7301K38](#) [7306K36](#) [7310K36](#) [7314K36](#) [7506K4](#) [7592K6](#) [7691K14](#) [7700K1](#) [8396K108](#) [8824K14](#) [8828K13](#) [G2VX](#) [G3VX](#)  
[PS83-121G](#) [A101MD9AB04](#) [A101SD9AB04](#) [A101SDCQ04](#) [A103SD9AQ04](#) [A107TZB04](#) [A123P32YZQ](#) [A123S1YZG](#) [A127S1YCQ](#) [1-](#)  
[1825192-0](#) [A131S1YZQ](#) [A201SCWZB04](#) [A207SYCB04](#) [A208J61ZQ0004](#) [A221K12KAG](#) [A221S1YZQ](#) [A221T1TCQ](#) [A232K12KZQ](#)  
[A232M1YCQ](#) [A323S1CWZQ](#) [A423S1CWZG-M8](#) [A423S1YZQ](#) [12149A-3V](#) [12156AX408](#) [12147AGKX679](#) [12149AD2G0383VX408](#)