

# IP68 SEALED 16 mm PANEL ASSEMBLY

## SPECIFICATIONS

For complete specifications see [www.samtec.com?ACR-16](http://www.samtec.com?ACR-16)

**Terminal Material:**  
Brass

**Contact Material:**  
Brass/BeCu

**Operating Temp Range:**  
-40°C to +105°C

**Housing:**  
-P: Thermoplastic  
-M: Zinc Alloy

**RoHS Compliant:**  
Yes

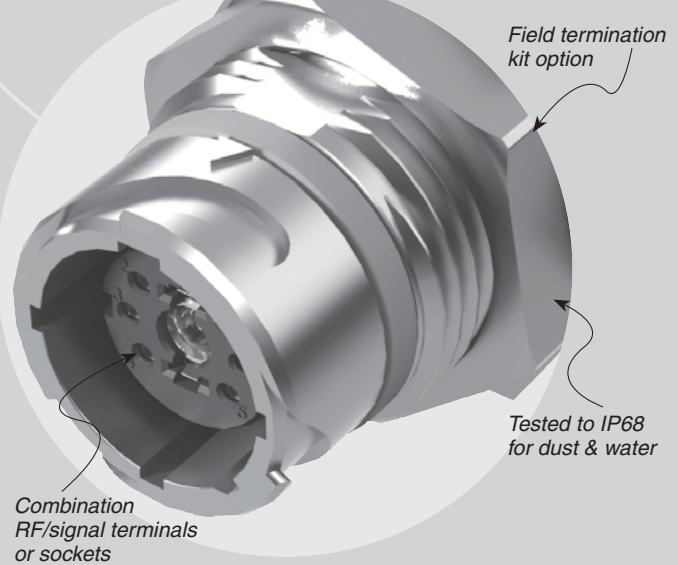
CURRENT RATING		
LEAD STYLE	PINS POWERED	CCC per PIN
-01	14	1.3 A
-02	10	2.6 A
-03	4	10.1 A
-06	2 (plus 8 signal pins powered @ 1A)	11.6 A

For general reference only. See [www.samtec.com?ACR-16](http://www.samtec.com?ACR-16) for complete test data or contact [AccliMate@samtec.com](mailto:AccliMate@samtec.com) for applications requiring higher current carrying capacity.

**Mates with:**  
ACP-16, ACPK-16

## THINK OUTSIDE THE CATALOG

- Easy sealed cable solutions
- Build a standard or flexible custom online
- Calculate performance, voltage drop
- Live chat with AccliMate™ engineers for custom options
- Variety of shells, pin sizes, signal, power, I/O interfaces
- Assembly and field kits available



**ACR**

**16**

**LEAD STYLE**

**PLATING**

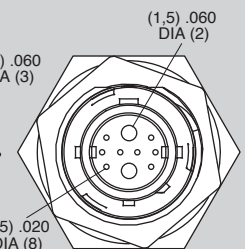
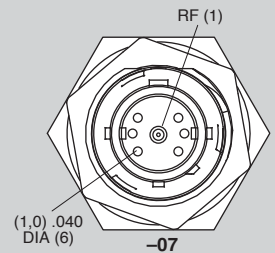
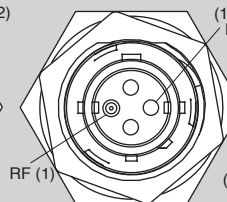
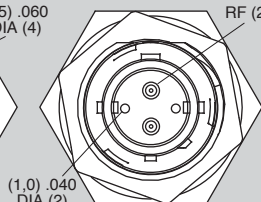
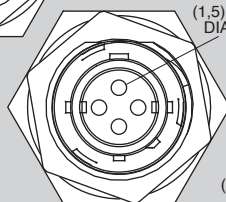
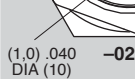
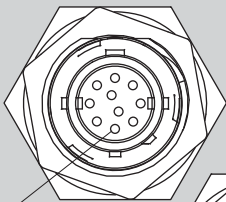
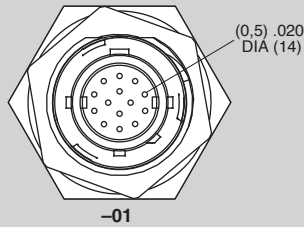
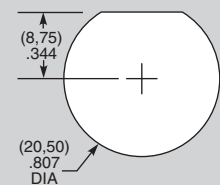
## DUST CAPS

- DCA-ACR-16-M-X (Metal)
- DCA-ACR-16-P-X (Plastic)



• Visit [sealedio.samtec.com](http://sealedio.samtec.com) for a complete list of sealed systems

## PANEL OPENING



**-01**  
= 0,5 mm DIA (14) terminals or sockets (28 AWG)

**-02**  
= 1,0 mm DIA (10) terminals or sockets (24 AWG)

**-03**  
= 1,5 mm DIA (4) terminals or sockets (16 AWG)

**-04**  
= 1,0 mm DIA (2) terminals or sockets (24 AWG) + RF (2) terminals or sockets (RG 316)

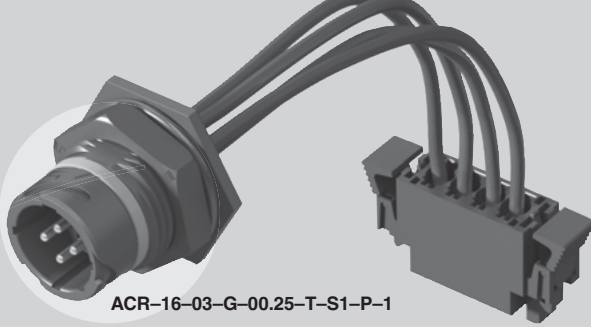
**-05**  
= 1,5 mm DIA (3) terminals or sockets (16 AWG) + RF (1) terminal or socket (RG 316)

**-06**  
= 1,5 mm DIA (2) terminals or sockets (16 AWG) + 0,5 mm DIA (8) terminals or sockets (28 AWG)

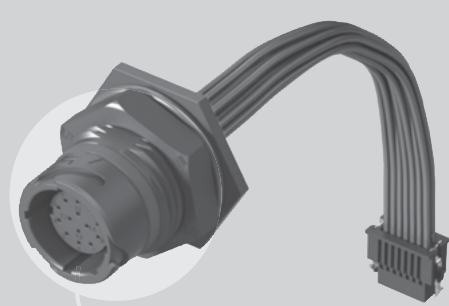
**-07**  
= RF (1) terminals or sockets (RG 316) + 1,0 mm DIA (6) terminals or sockets (24 AWG)

**-G**  
= 10µ" (0,25 µm) Gold over 50µ" (1,27 µm) Ni on contact

**Note:** Some lengths, styles and options are non-standard, non-returnable.

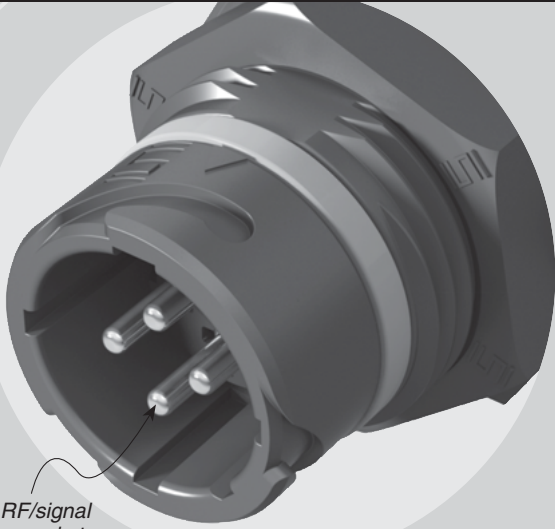


ACR-16-03-G-00.25-T-S1-P-1



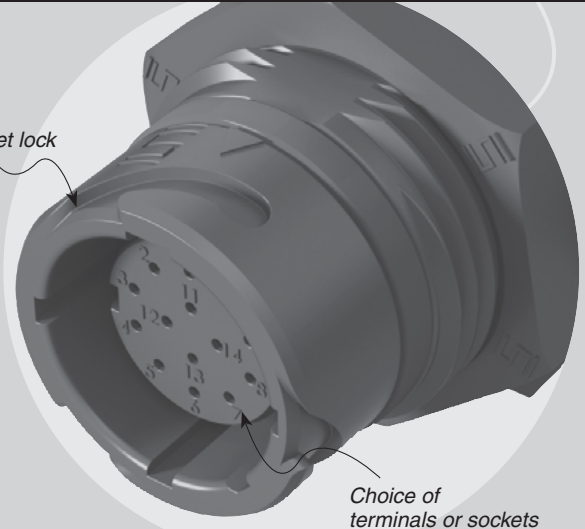
ACR-16-01-G-00.25-S-S1-P-3

**ACR-16 SERIES**



Choice of RF/signal terminals or sockets

Bayonet lock



Choice of terminals or sockets

**LENGTH**

–“XX.XX”  
= Length in meters  
(00.20 m min. to 50.00 m max.)  
Standard lengths

**END 1 OPTION**

–T  
= Terminal  
–S  
= Socket

**END 2 OPTION**

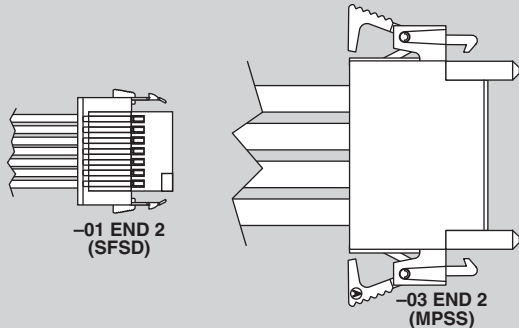
–BC  
= Blunt Cut  
–S1  
= Connector determined by lead style.  
(Specify LEAD STYLE from chart)

**HOUSING MATERIAL**

–P  
= Plastic  
–M  
= Metal

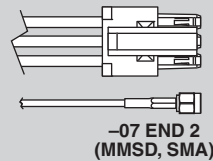
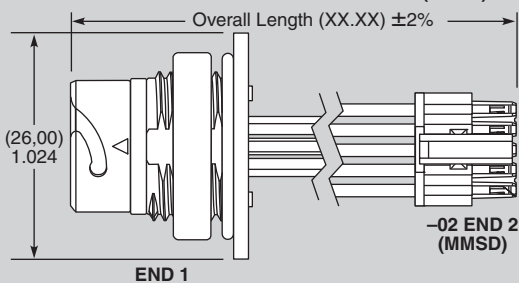
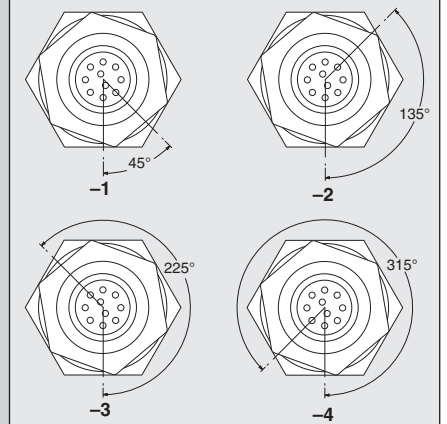
**KEYING OPTIONS**

–1 = Orange  
–2 = Green  
–3 = Blue  
–4 = Yellow



LEAD STYLE	-S1 END 2	MATES WITH -S1
-01	SFSD (28 AWG)	TFM
-02	MMSD (24 AWG)	IPL1
-03	MPSS (16 AWG)	MPT
-04	2 x SMA (RG 316)	SMA
-05	1 x MMSS (24 AWG)	IPL1
-05	1 x MPSS (16 AWG)	MPT
-05	1 x SMA (RG 316)	SMA
-06	1 x SFSD (28 AWG)	TFM
-06	1 x MPSS (16 AWG)	MPT
-07	1 x MMSS (24 AWG)	IPL1
-07	1 x SMA (RG 316)	SMA

**KEYING OPTIONS**



## X-ON Electronics

Largest Supplier of Electrical and Electronic Components

*Click to view similar products for [D-Sub Micro-D Connectors](#) category:*

*Click to view products by [Samtec](#) manufacturer:*

Other Similar products are found below :

[M243082311F](#) [M2430834F](#) [M24308/4-6F](#) [65-1920-15](#) [M83513/01-HN](#) [M83513/03-A10N](#) [M83513/03-B14C](#) [M83513/03-D09C](#) [M83513/03-D11N](#) [M83513/03-G02N](#) [M83513/03-G05N](#) [M83513/03-G08C](#) [M83513/03-G09N](#) [M83513/03-G12N](#) [M83513/03-H13N](#) [M83513/04-E15N](#) [M83513/04-G04C](#) [M83513/10-E01NP](#) [M83513/13-B01NP](#) [M83513/13-C01NN](#) [M83513/16-A01CP](#) [M83513/22-D01NP](#) [M83513/25-B01NP](#) [6R2004A30F015](#) [6R4006A28A120](#) [703006A13F060](#) [704002A03F200](#) [705001A13F120](#) [7-1532020-5](#) [748567-1-P](#) [MDB1-31SH003](#) [MDM-15PBS-L58](#) [MDM-15PCBRM7T](#) [MDM-15PH003B-A174](#) [75-068624-59S](#) [MDM-15PH034B](#) [MDM-15SH001L](#) [MDM-15SH004B](#) [MDM-21PH003K](#) [MDM-25PH003B-A174](#) [MDM-25PHW01F-A174](#) [MDM-37PH006L-A174](#) [MDM-37PH048M5-A174](#) [MDM-37SCBRP-A174](#) [MDM-51PBS-L56](#) [MDM-51PSF](#) [MDM-51SH003M7](#) [MDM-51SSM7-A174](#) [MDM-9PBSP-L58](#) [MDM-9PH003M7](#)