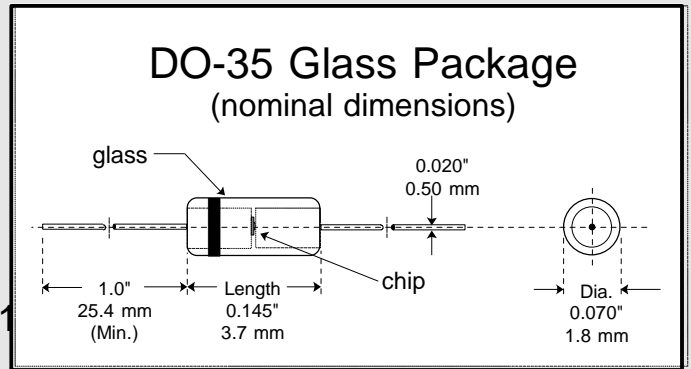


Applications

Used in instrumentation applications, where low leakage and high voltage isolation are important.

Features

- Six sigma quality
- Metallurgically bonded
- BKC's Sigma Bond™ plating for problem free solderability
- LL-34/35 MELF SMD available
- Full approval to Mil-S-19500/241
- Available up to JANTXV-1 levels
- "S" level screening available to Source Control Drawings using a DO-35 tungsten, hard glass voidless package for Space applications

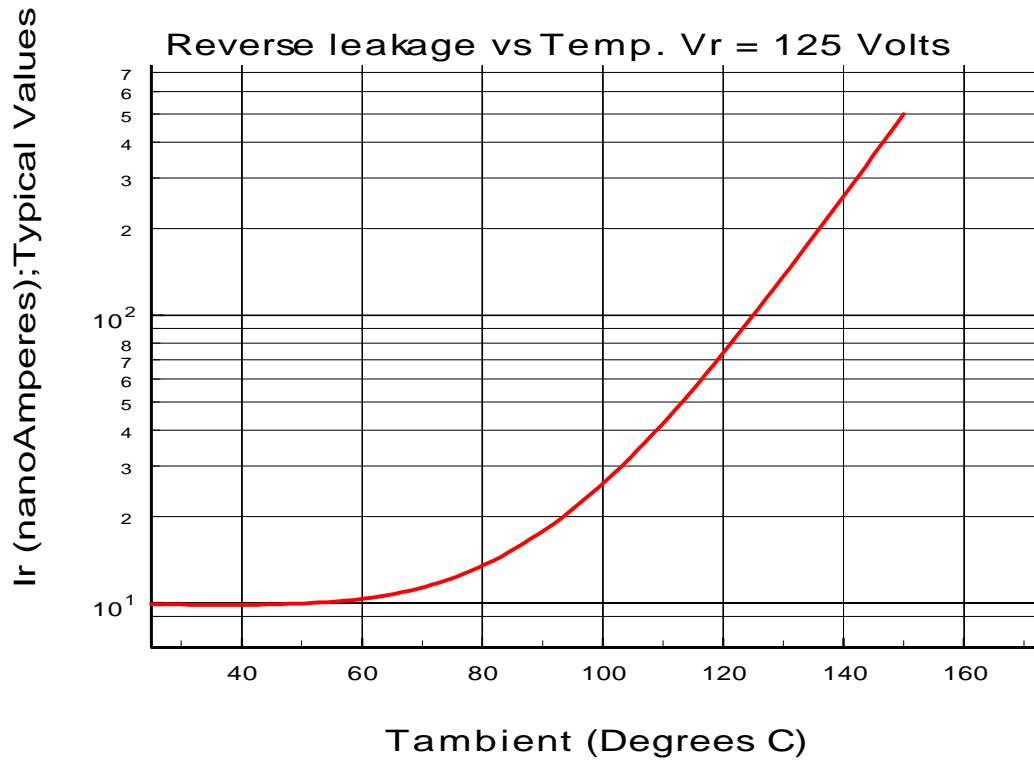


Maximum Ratings	Symbol	Value	Unit	
Peak Inverse Voltage	PIV	150 (Min.)	Volts	
Average Rectified Current	I_{Avg}	150	mAmps	
Continuous Forward Current	I_{Fdc}	150	mAmps	
Peak Surge Current ($t_{peak} = 1 \mu\text{sec.}$)	I_{peak}	4.0	Amps	
BKC Power Dissipation @ $T_L = 50 \text{ }^\circ\text{C}$, $L = 3/8"$ from body	P_{tot}	500	mWatts	
Storage & Operating Temperature Range	$T_{St \& Op}$	-65 to +200	$^\circ\text{C}$	
Electrical Characteristics @ 25°C	Symbol	Minimum	Maximum	Unit
Forward Voltage Drop @ $I_F = 1 \text{ mA}$	V_F	0.52	0.68	Volts
Forward Voltage Drop @ $I_F = 5 \text{ mA}$	V_F	0.60	0.75	Volts
Forward Voltage Drop @ $I_F = 10 \text{ mA}$	V_F	0.65	0.80	Volts
Forward Voltage Drop @ $I_F = 50 \text{ mA}$	V_F	0.74	0.88	Volts
Forward Voltage Drop @ $I_F = 100 \text{ mA}$	V_F	0.79	0.92	Volts
Forward Voltage Drop @ $I_F = 200 \text{ mA}$	V_F	0.83	1.0	Volts
Reverse Leakage Current @ $V_R = 125 \text{ V}$	I_R		1.0	nA
Reverse Leakage Current @ $V_R = 125 \text{ V}$	I_R		500 @ 150°C	nA
Capacitance @ $V_R = 0 \text{ V}$, $f = 1\text{MHz}$	C_T		8.0	pF
Reverse Recovery Time (note 1)	t_{rr}		3.0	μSecs

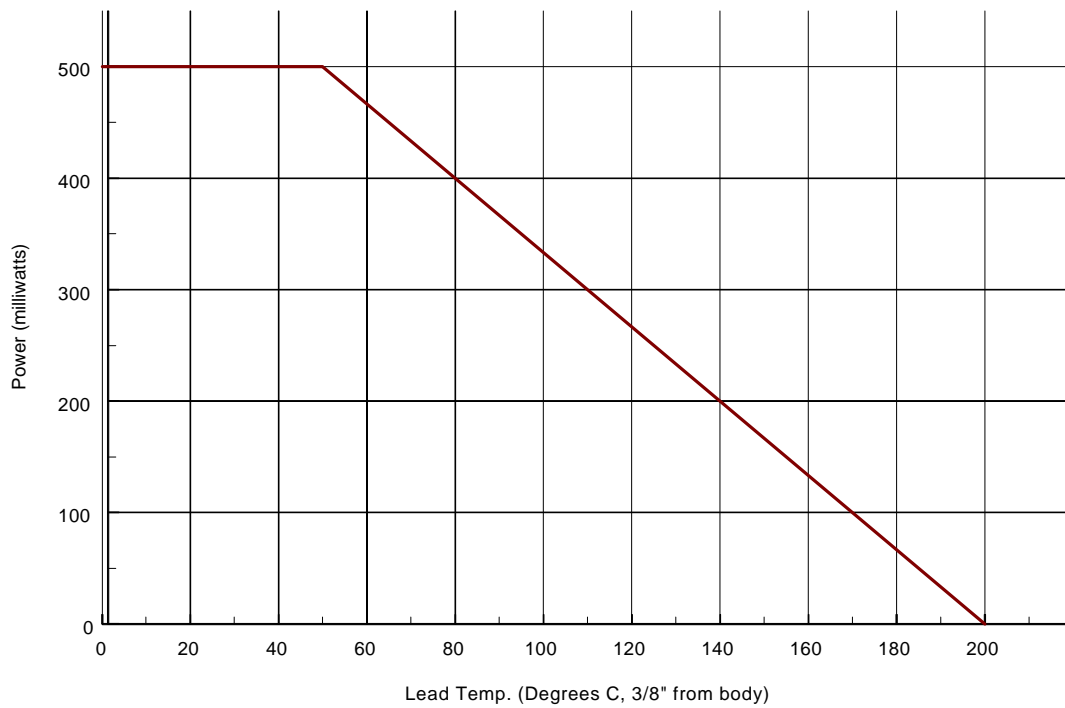
Note 1: Per Method 4031-B of MIL-STD-750 with $I_F = 10 \text{ mA}$, $V_R = 35\text{V}$, $R_L = 1.0\text{K Ohms}$, $C = 10 \text{ Pf}$

For military parts use the 1N3595-1 number with the appropriate JAN, JTX or JTXV prefix.
 The SMD DO-213AA comes in commercial (LL3595) and military versions (1N3595UR-1).

1N3595 Low-leakage Diode



DO-35 Power Derating Curve



Microsemi

6 Lake Street - Lawrence, MA 01841

Tel: 978-681-0392 - Fax: 978-681-9135

X-ON Electronics

Largest Supplier of Electrical and Electronic Components

Click to view similar products for [Schottky Diodes & Rectifiers](#) category:

Click to view products by [Microsemi](#) manufacturer:

Other Similar products are found below :

[CUS06\(TE85L,Q,M\)](#) [D1FH3-5063](#) [MBR0530L-TP](#) [MBR10100CT-BP](#) [MBR30H100MFST1G](#) [MMBD301M3T5G](#) [PMAD1103-LF](#)
[PMAD1108-LF](#) [RB160M-50TR](#) [RB520S-30](#) [RB551V-30](#) [DD350N18K](#) [DZ435N40K](#) [DZ600N16K](#) [BAS16E6433HTMA1](#) [BAS 3010S-](#)
[02LRH E6327](#) [BAT 54-02LRH E6327](#) [IDL02G65C5XUMA1](#) [NSR05F40QNXT5G](#) [JANS1N6640](#) [SB07-03C-TB-H](#) [SB1003M3-TL-W](#)
[SBAT54CWT1G](#) [SBM30-03-TR-E](#) [SK32A-LTP](#) [SK33A-TP](#) [SK34A-TP](#) [SK34B-TP](#) [SMD1200PL-TP](#) [ACDBN160-HF](#) [SS3003CH-TL-E](#)
[STPS30S45CW](#) [PDS3100Q-7](#) [GA01SHT18](#) [CRS10I30A\(TE85L,QM\)](#) [MBR1240MFST1G](#) [MBRB30H30CT-1G](#) [BAS28E6433HTMA1](#) [BAS](#)
[70-02L E6327](#) [HSB123JTR-E](#) [JANTX1N5712-1](#) [VS-STPS40L45CW-N3](#) [DD350N12K](#) [SB007-03C-TB-E](#) [SB10015M-TL-E](#) [SB1003M3-TL-](#)
[E](#) [SK110-LTP](#) [SK154-TP](#) [SK32A-TP](#) [SK33B-TP](#)