

ABB component drives

ACS55, 0.18 to 2.2 kW / 0.25 to 3 hp



ABB component drives

ABB component drives meet the requirements of OEMs, installation companies and panel builders. These drives are components that are bought together with other components from a logistical distributor. The drives are stocked, and the number of options and variants is optimized for logistical distribution.

Highlights

- Suitable for single phase residential and commercial applications
- Compact and slim
- Flexible installation alternatives
- Reduced motor noise with high switching frequency
- Integrated 1st environment EMC filter as standard
- Easy configuration via potentiometer and switches
- Fast programming of powered and unpowered drives with DriveConfig kit

Voltage and power range

- 1-phase, 110 to 120 V +10/-15%
0.18 to 0.37 kW (0.25 to 0.5 hp)
- 1-phase, 200 to 240 V +10/-15%
0.18 to 2.2 kW (0.25 to 3 hp)

Applications

- Fans
- Pumps
- Gate control
- Material handling
- Conveyors

Options

- Input/Output chokes
- Potentiometer
- DriveConfig kit



Ratings, types, voltages and dimensions



Ratings		Output current		Input current	Type code	Frame size	H1	H2	W	D	Weight
P_N kW	P_N hp	nominal A	max A								
Inbuilt EMC filter, 1-phase supply voltage 200/240 V, +10/-15%, 3-phase output 200/240 V											
0.18	0.25	1.4	2.1	4.4	ACS55-01E-01A4-2	A	170	146.5	45	128	0.65
0.37	0.5	2.2	3.3	6.9	ACS55-01E-02A2-2	A	170	146.5	45	128	0.7
0.75	1.0	4.3	6.5	10.8	ACS55-01E-04A3-2	B	170	146.5	67.5	128	0.7
1.5	2	7.6	11.4	18.2	ACS55-01E-07A6-2	D	226	203	70	159	1.1
2.2	3	9.8	14.7	22	ACS55-01E-09A8-2	D	226	203	70	159	1.1
No EMC filter, 1-phase supply voltage 200/240 V, +10/-15%, 3-phase output 200/240 V											
0.18	0.25	1.4	2.1	4.4	ACS55-01N-01A4-2	A	170	146.5	45	128	0.65
0.37	0.5	2.2	3.3	6.9	ACS55-01N-02A2-2	A	170	146.5	45	128	0.7
0.75	1.0	4.3	6.5	10.8	ACS55-01N-04A3-2	B	170	146.5	67.5	128	0.7
1.5	2	7.6	11.4	18.2	ACS55-01N-07A6-2	C	194	171	70	159	1.1
2.2	3	9.8	14.7	22	ACS55-01N-09A8-2	C	194	171	70	159	1.1
Inbuilt EMC filter, 1-phase supply voltage 110/120 V, +10/-15%, 3-phase output 200/240 V											
0.18	0.25	1.4	2.1	6.4	ACS55-01E-01A4-1	A	170	146.5	45	128	0.65
0.37	0.5	2.2	3.3	9.5	ACS55-01E-02A2-1	A	170	146.5	45	128	0.7
No EMC filter, 1-phase supply voltage 110/120 V, +10/-15%, 3-phase output 200/240 V											
0.18	0.25	1.4	2.1	6.4	ACS55-01N-01A4-1	A	170	146.5	45	128	0.55
0.37	0.5	2.2	3.3	9.5	ACS55-01N-02A2-1	A	170	146.5	45	128	0.6

H = Height with mounting clip
H2 = Height without mounting clip
W = Width
D = Depth

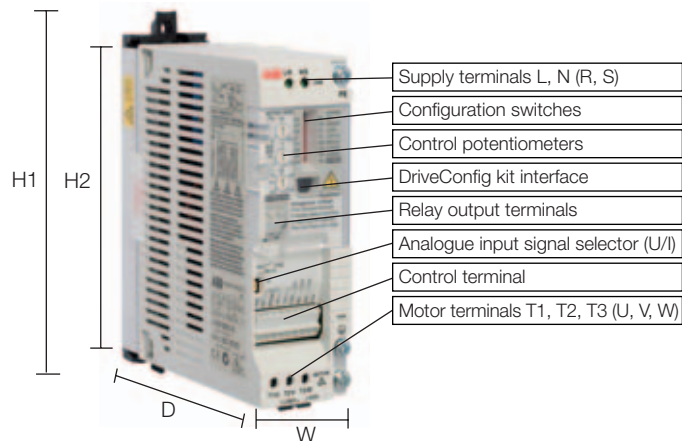
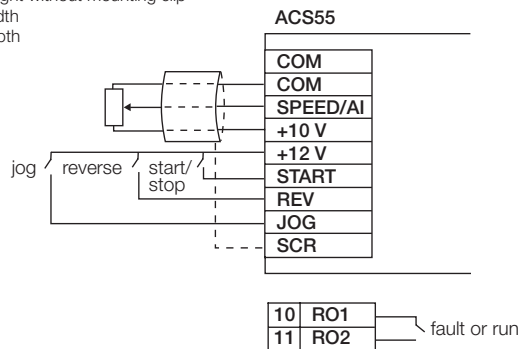


ABB Oy
Drives
P. O. Box 184
FI - 00381 Helsinki
Finland
Telephone +358 10 22 11
Fax +358 10 22 23764
Internet www.abb.com/drives

Motor connection

Voltage	3-phase, from 0 to U_{SUPPLY} (for 110/120 V from 0 to 230 V)
Frequency	0 to 120/130 Hz
Overload capacity	150% (60 s)

Control connections

One analog input	
Voltage signal	0 (2) to 10 V, 200 k Ω single-ended
Current signal	0 (4) to 20 mA, 100 Ω single-ended
Potentiometer reference value	10 V \pm 2% max. 10 mA, 1 k Ω $\leq R \leq$ 10 k Ω
Response time	\leq 60 ms
Resolution	0.1%
Accuracy	\pm 1%
Three digital inputs	
	12 V DC with internal or 12 to 24 V DC external supply, PNP
Input impedance	1.5 Ω
Response time	\leq 9 ms
One relay output	
Switching voltage	12 to 250 V AC or max 30 V DC
Maximum continuous current	2 A

Application parameters

	As standard	With DriveConfig kit
Motor nominal frequency	50/60 Hz	40 to 250 Hz
Acceleration time	0.1 to 30 s	0.1 to 100 s
Deceleration time	0.1 to 30 s	0.1 to 100 s
Maximum frequency	50 to 120 Hz	0 to 250 Hz
Relay output	Fault/Run	Fault/Fault (-1)/Run
Load type	Pump/fan or constant	
Switching frequency	Standard	
	5 kHz, adjustable up to 16 kHz with automatic switching frequency reduction	
Features available with DriveConfig kit	Application macro selection, IR compensation, constant speed selection, stop mode selection, reset mode selection	

Product compliance

CE, UL, cUL, C-Tick and GOST R approvals

Environmental limits

Degree of protection	IP20
Ambient temperature	-20 to 40 $^{\circ}$ C
	with nominal current and 5 kHz switching frequency, no frost allowed
	up to 50 $^{\circ}$ C
	with derating
Relative humidity	lower than 95% (without condensation)

For more information see technical catalogue ABB component drives, ACS55 (3AFE68899842).

Find your nearest contact at



www.abb.com/drivespartners

© Copyright 2008 ABB. All rights reserved. 3AFE68899869 REV C EN 26.3.2008 Specifications subject to change without notice. Ad agency Pirtek Oy # 13703

X-ON Electronics

Largest Supplier of Electrical and Electronic Components

Click to view similar products for [abb](#) manufacturer:

Other Similar products are found below :

[TV10-516R](#) [017667013](#) [RF727](#) [2CMA100178R1000](#) [5SDD 92Z0401](#) [ESV14-BS](#) [EZS-21-250](#) [F204AC-40/0.03](#) [F362-25/0.03](#)

[GJL1211201R8000](#) [GJL1211501R8000](#) [GJL1213001R0017](#) [GJL1213001R0101](#) [GJL1311001R0101](#) [GJL1311001R8010](#) [GJL1311201R0001](#)

[GJL1313001R0011](#) [GJL1313001R0101](#) [GJL1317201R0001](#) [A40-30-10-84](#) [AF09-30-01-11](#) [AF460-30-11-68](#) [1455](#) [B14-250](#) [EF45-30](#)

[ERG297](#) [HSC2-20](#) [1SAM201904R1001](#) [1SAM350000R1003](#) [1SAZ721201R1009](#) [1SAZ721201R1014](#) [1SAZ721201R1025](#)

[1SBL157001R1310](#) [1SBL277001R1300](#) [1SBN010110R1001](#) [1SBN010110R1010](#) [1SBN010140R1022](#) [1SDA057197R1](#) [1SFA611101R1002](#)

[1SFA611130R1103](#) [1SFA611131R1101](#) [1SFA611143R1101](#) [1SFA611202R1108](#) [1SFA611203R1108](#) [1SFA611215R1001](#)

[1SFA611216R1108](#) [1SFA611285R1002](#) [1SFA611702R6006](#) [1SFA616162R1025](#) [1SFA619100R3015](#)