

multimec® basic switch modules

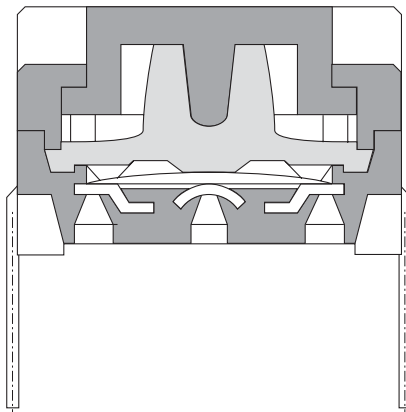
Through-hole Versions						
3A	3C	3E	3F	3F	3F	3F
For 1A/1B/1M/1ZA/1ZB	w/LED for 1C/1H		For 3E actuators/Varimec	For 1D/1K/1N/1P/1S/1T/1U/1V/1WA/1WD/1WG/1WP/1X/1ZC/1GA/1GC	w/LED for 1D/1E/1F/1N/1Q/1R/1S/1X	w/LED for 1K/1KB/1KC/1T/1U/1V/1WA/1WD/1WP
Standard Versions						
3ATL6 3ATH9	3ATL600/20/40/80	3CTL6/3CTL9 3CTH9	3ETLXX-H* 3ETHXX-H*	3FTL6 3FTH9	3FTL600/20/40/60/80/ 2040/8020/8040	3FTL623/45/88
* 3E available in 6 standard heights: 08.0, 09.5, 10.4, 11.0, 12.0, 15.0 mm. Other heights between 08.0 and 15.0 mm are available upon request.						
Specials: Gold contacts, quiet version and actuation force other than 3.0N						

Surface Mount Versions				Right Angle Versions			
3A	3C	3E	3F	3C	3E	3F	3F w/LED
For 1A/1B/1M/1ZA/1ZB		For 3E actuators/Varimec	For 1D/1K/1N/1P/1S/1T/1U/1V/1WA/1WD/1WP/1X/1ZC/1GA/1GC		For 3E actuators/Varimec	For 1D/1K/1N/1P/1S/1T/1U/1V/1W/1WA/1WD/1WP/1X/1ZC/1GA/1GC	For 1D/1E/1F/1N/1Q/1R/1S/1X
Standard Versions				Standard Versions			
3ASH9/3ASH9R	3CSH9/3CSH9R	3ESH9/3ESH9R	3FSH9/3FSH9R	3CTL6RAS	3ETXX-X.XRAS	3FTL6RAS	3FTL600/20/40/60/80/ 2040/8020/8040RAS

Co-planarity = ≤ 0.05

DIMENSIONS (mm) Unless otherwise specified, all tolerances ± 0.2

multimec® Cross Section



For updates of products and/or changes of specifications please see www.mec.dk

multimec® 3A + 1A/1H/1M/1ZA

Technical Data

- through-hole or SMD
- 50mA/24VDC
- single pole/momentary
- 10.000.000 operations life time
- IP67 sealing
- temperature range:
low temp: -40/+115°C
high temp: -40/+160°C



Dimensions (through-hole) 1A	Dimensions (w/LED) 1H	Dimensions (SMD) 1ZA	Dimensions (SMD) 1M
<p>PCB layout</p>	<p>PCB layout (top view)</p>	<p>PCB layout</p>	<p>PCB layout</p>

How to order

3 A	<input type="checkbox"/>	<input type="checkbox"/>	+	1 A	<input type="checkbox"/>	00 blue	30* ultra blue	50* metal dark blue
Switch	Mounting	L 6 low temp.		Cap	02 green	40* dusty blue	42* aqua blue	53* metal light grey
	T through-hole	H 9 high temp.			03* grey	32 mint green	33 tele grey	57* metal dark grey
	S surface mount			1 Z A	04 yellow	34 melon	38 noble red	58* metal bordeaux
				Cap	06* white			*) Colours for 1ZA
					08 red			
					09* black			

3 A	<input type="checkbox"/>	<input type="checkbox"/>	+	1 M	<input type="checkbox"/>	00 blue
Switch	Mounting	L 6 low temp.		Cap	02 green	03 grey
	T through-hole	H 9 high temp.			04 yellow	06 white
	S surface mount				08 red	09 black

3 A	T	<input type="checkbox"/>	+	1 H	<input type="checkbox"/>	00 blue	Lens
Switch	Mounting	L 6 low temp.		Cap	02 green	03 grey	1 transparent
	T through-hole	H 9 high temp.			04 yellow	06 white	2 green
					08 red	09 black	4 yellow
							6 frosted white
							8 red

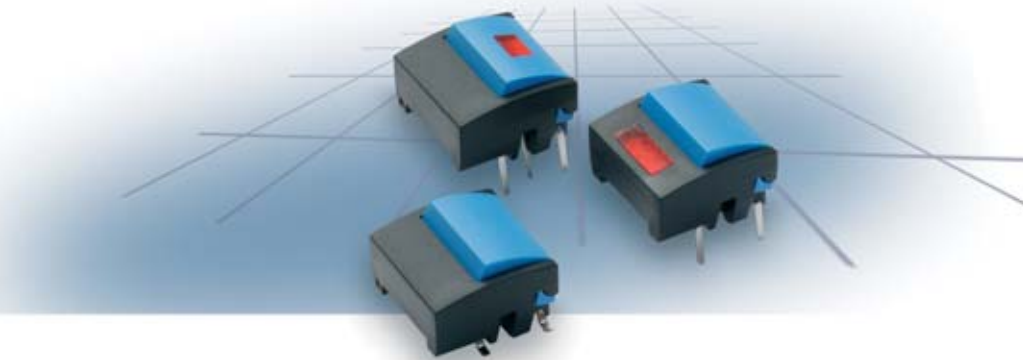
Keycaps shown on this page can also be used on
illume™ switch 4A - see page 9

Ordering example: 3ATL680 + 1H098

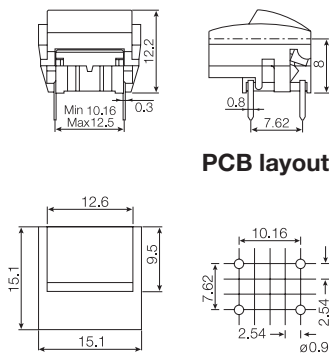
For updates of products and/or changes of specifications please see www.mec.dk

Technical Data

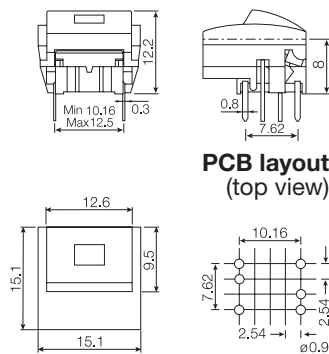
- through-hole or SMD
- 50mA/24VDC
- single pole/momentary
- 10.000.000 operations life time
- IP67 sealing
- temperature range:
 - low temp: -40/+115°C
 - high temp: -40/+160°C



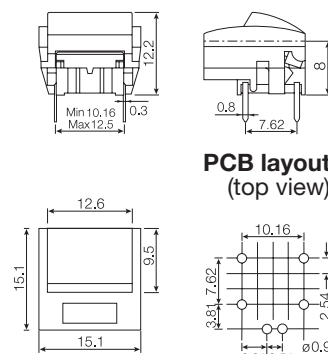
Dimensions (through-hole)



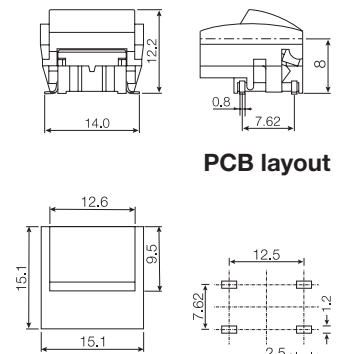
Dimensions w/LED in switch (1C/1H)



Dimensions w/LED PCB mounted (2B)



Dimensions (SMD)



How to order

3 A	<input type="checkbox"/>	<input type="checkbox"/>	+	1 B	<input type="checkbox"/>	+	2 A	<input type="checkbox"/>	For 1B and 2A only:	
Switch	Mounting	L 6 low temp. H 9 high temp.		Cap	00 blue 02 green 03 grey 04 yellow 06 white 08 red 09 black		Bezel	00 blue 02 green 03 grey 04 yellow 06 white 08 red 09 black	30 ultra blue 40 dusty blue 42 aqua blue 32 mint green 33 tele grey 34 melon 38 noble red	50 metal dark blue 53 metal light grey 57 metal dark grey 58 metal bordeaux

3 A	T	<input type="checkbox"/>	+	1 C	<input type="checkbox"/>	+	<input type="checkbox"/>	+	2 A	<input type="checkbox"/>
Switch	Mounting	L 6 low temp. H 9 high temp.		LED	00 blue 20 green 40 yellow 80 red		Cap	00 blue 02 green 03 grey 04 yellow 06 white 08 red 09 black	Lens	1 transparent 2 green 4 yellow 8 red

3 A	<input type="checkbox"/>	<input type="checkbox"/>	+	1 B	<input type="checkbox"/>	+	2 B	<input type="checkbox"/>	<input type="checkbox"/>
Switch	Mounting	L 6 low temp. H 9 high temp.		Cap	00 blue 02 green 03 grey 04 yellow 06 white 08 red 09 black		Bezel	00 blue 02 green 03 grey 04 yellow 06 white 08 red 09 black	Lens

+	2 B X X X	<input type="checkbox"/>
	LED for 2B bezel	20 green 40 yellow 80 red

Keycaps and bezels shown on this page can also be used on **illumecc™ switch 4A** - see page 9. Part nos. for bezels for 4A are 2C and 2D.

Ordering example: 3ATL640 + 1C094 + 2A04

For updates of products and/or changes of specifications please see www.mec.dk

X-ON Electronics

Largest Supplier of Electrical and Electronic Components

Click to view similar products for [multimec](#) manufacturer:

Other Similar products are found below :

[CONKIT 1 THRO BOARD](#) [RA3CSH9](#) [1SS09-15.0](#) [CONKIT 3 THRO + MARKING](#) [5GSH935+1SS09-15.0](#) [2S09-07](#) [2S09-08](#) [1SS09-11.0](#)
[RA3ETH9-12-0](#) [1DS08](#) [1GCS09](#) [RA3FTH9](#) [1K0816](#) [1U08](#) [1JS09](#) [1U00](#) [1V03](#) [5GTH935+1SS09-09.5](#) [RA3ATH9](#) [1JS03](#) [RA3FTL98020](#)
[1JS16](#) [1B03](#) [1GAS09](#) [1S11-16](#) [1D06](#) [5GTH935](#) [2B031](#) [RA3ASH9](#) [1Q091](#) [RA3FTH987](#) [1B09](#) [5GTH935+1SS09-15.0](#) [5GTH93501](#) [1PS09](#)
[5GTH935+1SS09-11.0](#) [RA3FTH920](#) [1U03](#) [5GSH93522](#) [1T00](#) [RA3ETH9-09-5](#) [5GTH935RAS](#) [5GSH935+1SS09-12.0](#) [RA3FTH980](#) [2A09](#)
[RA3FTH9RAS](#) [5GTH93542](#) [1V09](#) [1K0916](#) [5ESH935](#)