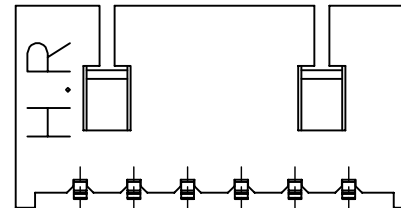
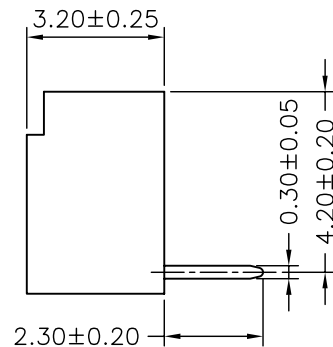
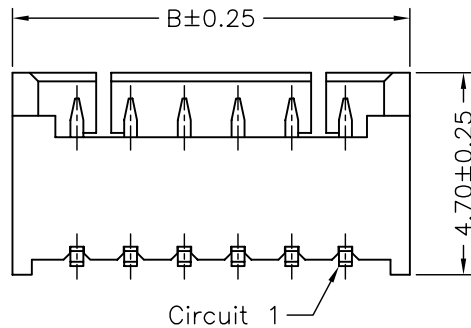
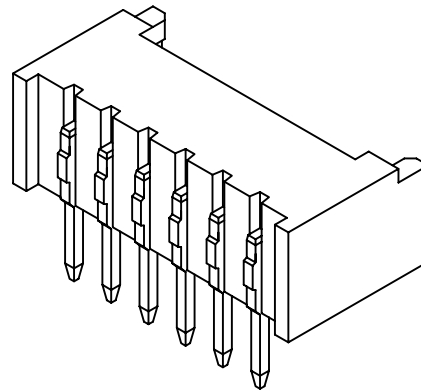


P.C.B LAYOUT



SPECIFICATIONS

Current Rating: 1A AC,DC  
 Voltage Rating: 125V AC,DC  
 Temperature Range: -25°C ~ +85°C  
 Contact Resistance: 20mΩ Max.  
 Insulation Resistance: 100MΩ Min.  
 Withstanding Voltage: 500V AC/minute  
 Pin Material: Phosphor Bronze/Tin-plated  
 Material: Nylon 6T,UL94V-0  
 Color: Natural(Beige)

Ordering Information & Dimensions

PART NO.	Dimensions	
	A	B
A1250WR-02P	1.25	4.25
A1250WR-03P	2.50	5.50
A1250WR-04P	3.75	6.75
A1250WR-05P	5.00	8.00
A1250WR-06P	6.25	9.25
A1250WR-07P	7.50	10.50
A1250WR-08P	8.75	11.75
A1250WR-09P	10.00	13.00
A1250WR-10P	11.25	14.25
A1250WR-11P	12.50	15.50
A1250WR-12P	13.75	16.75
A1250WR-13P	15.00	18.00
A1250WR-14P	16.25	19.25
A1250WR-15P	17.50	20.50
A1250WR-16P	18.75	21.75
A1250WR-17P	20.00	23.00
A1250WR-18P	21.25	24.25

			UNIT	SCALE	SHEET	TITLE:	
			mm		1 of 1		
			DRAWN BY	APPROVED BY		1.25mm PITCH 90° WAFER	
			董正一	董正一			
			2001.02.01	2001.02.01			
			GENERAL TOLERANCE				
			X. X±0.25	ANGLE±		DRAW NO. : A1250WR-XP	
			X. XX±0.15				
			X. XXX±0.05				
B0	NEW RELEASE	2006.06.23					REV.
REV.	DESCRIPTION	DATE					B0

## X-ON Electronics

Largest Supplier of Electrical and Electronic Components

*Click to view similar products for [I/O Connectors](#) category:*

*Click to view products by [Joint manufacturer](#):*

Other Similar products are found below :

[571763P](#) [58098-0628](#) [61-168618-12P](#) [D38999/20FJ29SB L/C](#) [72.250.1628.2](#) [72.250.2428.2](#) [74720-0505](#) [747680210](#) [76.350.0729.0](#) [76871-1403](#) [FCN-244F080-G/1](#) [FCN-260A9920](#) [FCN-268D024-G/2F#10X-R10](#) [MP-5T180MUNNA-005](#) [MP-5XRJ45UNNB-003](#) [PCS-E50FA](#) [PCS-XE26LKA](#) [PCS-XE26MA+](#) [PCS-XES68MS+](#) [G38A71314B](#) [91-569719-35R](#) [9776-18-6](#) [DX40-50P\(55\)](#) [1571250010](#) [157-22500-3](#) [MS3471L14-19P L/C](#) [171224-6031](#) [1888020-8](#) [91-569786-35H](#) [91-569786-35M](#) [91-644626-35P](#) [172501-4002](#) [172501-6002](#) [FCN-260C008-A/L0](#) [FCN-260C024-AL0](#) [FCN-261Z008](#) [FCN-268D008-G/1K](#) [2000314-1](#) [200331-1](#) [2007498-2](#) [PCR-E28LMDAG1+](#) [PCR-E36FC+](#) [PCS-E28FS+](#) [PCS-XE26SLFD+](#) [PCS-XE26SLFDT+](#) [G38A71214B](#) [HDRA-E68W1LFDTC-SL+](#) [HDR-E14MSG1+](#) [R88A-CNK81S](#) [CRT1-ATT02](#)