

PTE Ø56mm LED Modular Style Steady & Flashing with Buzzer

TOWER LIGHTS



- LED modular components
- Bright & even light distribution through prism-cut lenses
- Fast & easy assembly with inter-locking construction
- 3 base body options
- Optional 85dB Buzzer (fixed or adjustable volume)
- NEMA 4x / IP65 rated
- RoHS compliant



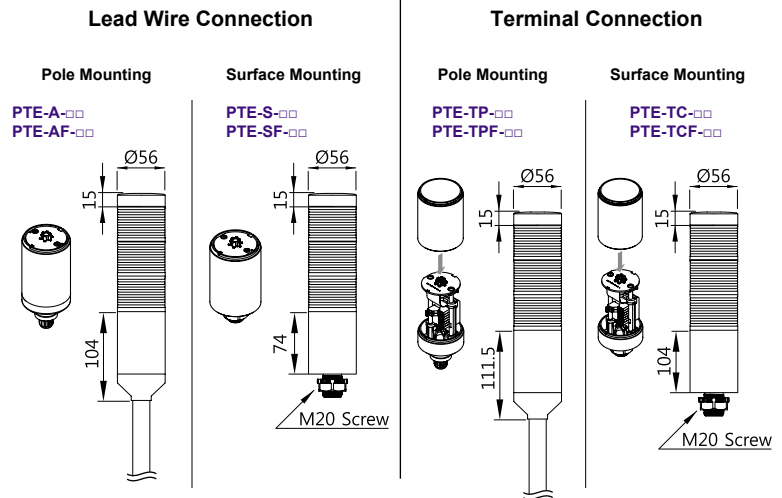
Order Information

Body Units

Body Type		Voltage	Part Number	
			Steady	Steady & Flashing
Lead Wire Connection	Pole Mounting	AC 90~240V	PTE-A-FF	PTE-AF-FF
		DC/AC 24V	PTE-A-02	PTE-AF-02
	Surface Mounting	AC 90~240V	PTE-S-FF	PTE-SF-FF
		DC/AC 24V	PTE-S-02	PTE-SF-02
Terminal Connection	Pole Mounting	AC 90~240V	PTE-TP-FF	PTE-TPF-FF
		DC/AC 24V	PTE-TP-02	PTE-TPF-02
	Surface Mounting	AC 90~240V	PTE-TC-FF	PTE-TCF-FF
		DC/AC 24V	PTE-TC-02	PTE-TCF-02

Dimensions

unit: mm



LED Modules

LED Color	Part Number	
	Standard Module	Dome Head Module
RED	PTE-02R	PTD-02R
Yellow	PTE-02Y	PTD-02Y
Green	PTE-02G	PTD-02G
Blue	PTE-02B	PTD-02B
*Clear	PTE-02C	PTD-02C

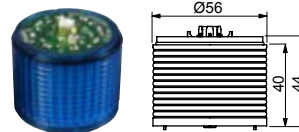
*Clear Module cannot be used with Buzzer.

Locking Bolts

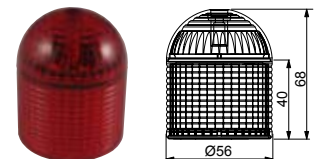
Number of LED Stacks	Part Number	Size
1 Stack	B-PTE-1	M4, 65mm
2 Stacks	B-PTE-2	M4, 105mm
3 Stacks	B-PTE-3	M4, 145mm
4 Stacks	B-PTE-4	M4, 185mm
5 Stacks	B-PTE-5	M4, 225mm

*Note: Do NOT count Buzzer as a stack.

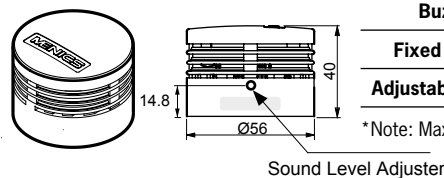
Standard Modules



Dome Head Modules



Buzzer Kits



Buzzer Kits (Optional)

Buzzer Style	Part Number
Fixed Sound Level	MPZ-56F
Adjustable Sound Level	MPZ-56G

*Note: Max. number of tier including Buzzer is 5.

See Page 13-14 for Mounting Options and Accessories.

Specifications

Body Units

Operation/Function	Steady/ Flashing	
Power Supply	AC/DC 24V (±10%)	AC 90~240V 50/60 Hz (±10%)
Buzzer Sound Level	Fixed: 85dB Adjustable: 10~85dB	
Lens Color	Red, Yellow, Green, Blue & Clear	
Lens Diameter	56 mm (2.2 inch)	
Maximum Tier	5	
Flash Rate	80 times/ minute	
Vibration	3mm at 10~55Hz	
Ambient Temperature	-15°C~40°C	
Storage Temperature	-40°C ~ 70°C	
Ambient Humidity	45~85% RH	
Degree of Protection	NEMA 4x, IP65 / IP50 (with Buzzer)	
Approvals	CE , UL, RoHS	
Recommended Wire Size	1007 UL / 22 AWG	

LED Modules

		Red	Yellow	Green	Blue	Clear
Current / Power	Standard Module	27mA / 0.65W		35mA / 0.84W		
	Dome Head Module	58mA / 2.64W		52mA / 1.25W		53mA / 1.27W
Weight		Standard Module: 42.8g Dome Head Module: 53g				

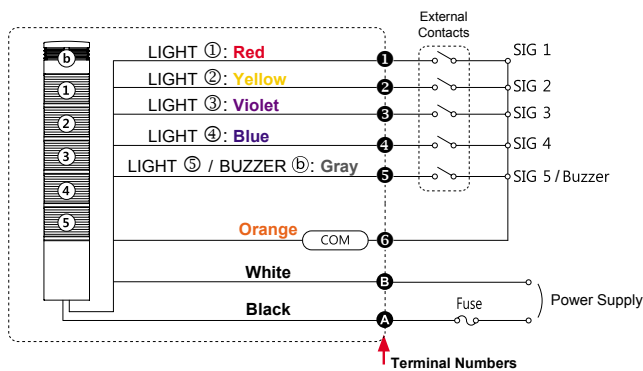
Buzzer Kits

Model	MPZ-56F	MPG-56G
Style	Fixed Sound Level	Adjustable Sound Level
Sound Level	85 dB	10~85 dB
Current Consumption / Power	30mA / 0.72W	30mA / 0.72W
Weight	32.2g	33g

Wiring Diagram

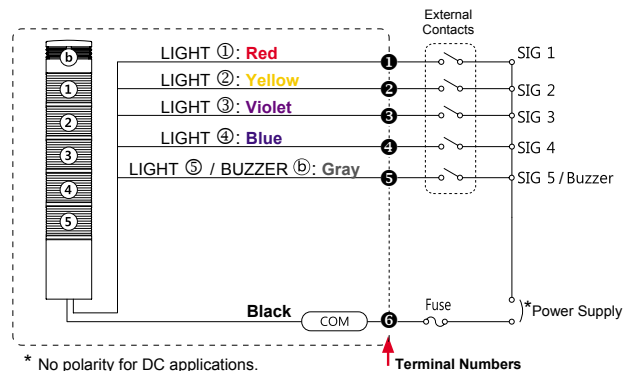
AC 90~240V Steady Lights

PTE-A-FF PTE-S-FF PTE-T□-FF



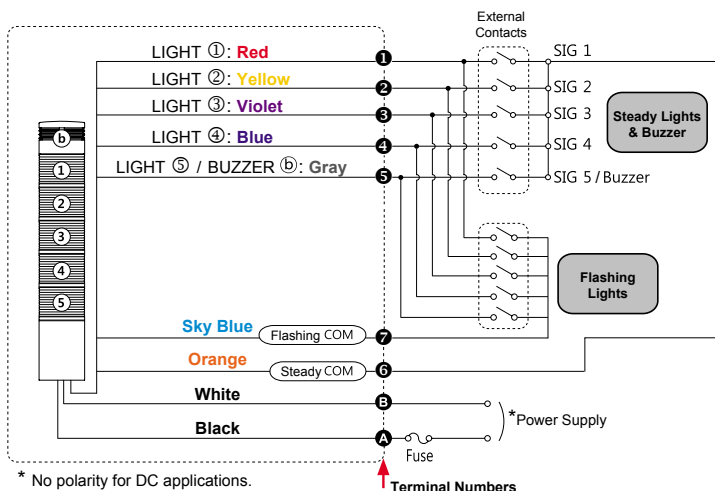
DC/AC 24V Steady Lights

PTE-A-02 PTE-S-02 PTE-T□-02

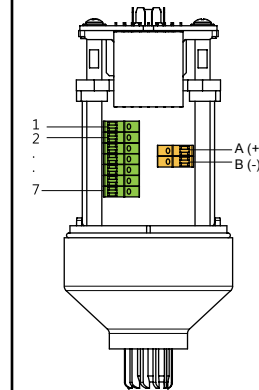


AC 90~240V DC/AC 24V Steady & Flashing Lights

PTE-AF-02 PTE-AF-FF
PTE-SF-02 PTE-SF-FF
PTE-T□F-02 PTE-T□F-FF



Terminal Connections



PIN #	Description
1	Light 1
2	Light 2
3	Light 3
4	Light 4
5	Light 5 or Buzzer
6	Steady COM
7	Flashing COM
A	Power Supply (+)
B	Power Supply (-)

X-ON Electronics

Largest Supplier of Electrical and Electronic Components

Click to view similar products for [autonics manufacturer](#):

Other Similar products are found below :

[BJ100-DDT-P](#) [BJ10M-TDT-C-P](#) [BJ15M-TDT-P](#) [BJ1M-DDT-C-P](#) [BJN100-NDT-P](#) [BL13-TDT-P](#) [BR200-DDTN-P](#) [BTF30-DDTD-P](#) [BUP-30-P](#) [LP-S070-T9D6-C5T](#) [PRFT30-10DO-V](#) [PRFWT12-2DO-IV](#) [PRFWT30-10DO-IV](#) [TC4H-14R](#) [TCN4S-22R](#) [TCN4S-24R-P](#) [TK4S-14SC](#) [TK4S-14SR](#) [BC15-LDT-C-P](#) [BEN5M-MFR](#) [BH1M-DDT](#) [BH20M-TDT](#) [BJ10M-TDT-P](#) [BTS30-LDTL-P](#) [E40S6-3600-3-T-24](#) [PR08-1.5DP](#) [PR08-2DP](#) [TC4S-12R](#) [TMHA-42AE](#) [TMHE-82RE](#) [ASL-L01SP1-PY](#) [ASL-L04SP0-UY](#) [BFX-D1-N](#) [BFX-D1-P](#) [BJP100-BDT](#) [BJP100-BDT-P](#) [BJR100-DDT-P-F](#) [BJR10M-TDT-C-P-F](#) [BJR15M-TDT-C-P-F](#) [BJR15M-TDT-P-F](#) [BJR1M-DDT-C-P-F](#) [BJR3M-PDT-C-P-F](#) [BJR3M-PDT-P-F](#) [CX6M-2P4](#) [PRFAT12-2DO-V](#) [PRFAWT12-2DO-IV](#) [PT8-S3DP5](#) [SRH3-1215](#) [SRH3-4450](#) [TF33-31H-R](#)