



ISSUE 17; March 2012 - RoHS 2011/65/EU

**Description**

- Industry standard low cost SMD crystal
- SMD version of the HC49/4H
- Resistance welded, hermetically sealed in an inert atmosphere, glass to metal seals on leads. Lead wires are mounted onto a plastic former to create a gull wing mount
- Low profile versions available please contact our sales offices for details
- Stock parts available

**Frequency Range**

- Frequency 3.2000 to 100.0Mhz
- Frequency Tolerance  $\pm 10\text{ppm}$  to  $\pm 100\text{ppm}$

**General Specification**

- Load Capacitance (CL) 10.0pF to 75.0pF or Series
- Drive Level 500 $\mu$ W max
- Ageing  $\pm 5\text{ppm}$  typ per year @ 25°C
- Shunt Capacitance (C0) 7pF max

**Operating Temperature Ranges**

- 0 to 50°C
- 10 to 60°C
- 20 to 70°C
- 30 to 80°C
- 40 to 85°C
- 55 to 105°C

**Environmental Parameters**

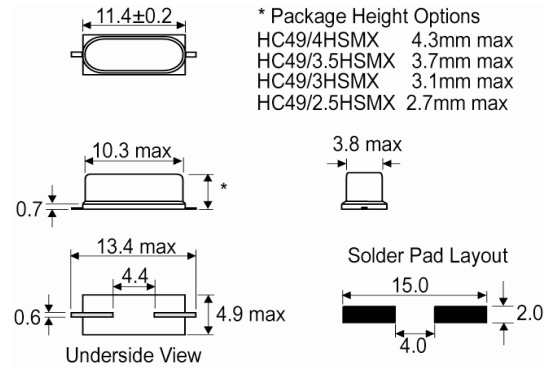
- Shock: 981m/s<sup>2</sup>, 6ms, 3 times in each of 3 mutually perpendicular planes
- Storage Temperature Range: -55 to 125°C
- Vibration: 10Hz-60Hz, 0.75mm amplitude, 60Hz-500Hz, 98.1m/s<sup>2</sup>, 30mins in 3 mutually perpendicular planes

**Ordering Information**

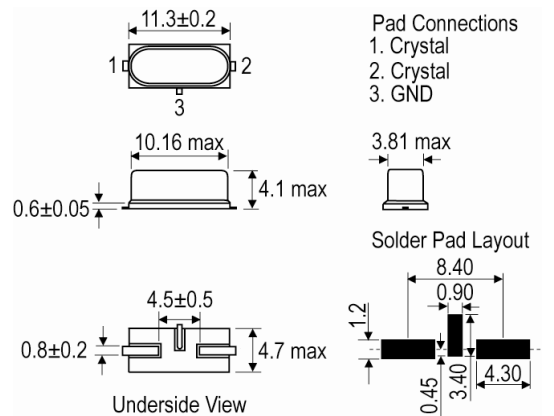
- Example  
10.00MHz HC49/4HSMX  
50/50/-40 to 85C/10 FUND
- Frequency\*  
Model\*  
Frequency Tolerance (@25°C)\*  
Frequency Stability (over operating temperature range)\*  
Operating Temperature Range\*  
Load Capacitance\*  
Overtone\*



**Outline (mm)**



**-3L = 3 leg ground centre lead**



**Sales Office Contact Details:**

UK: +44 (0)1460 270200  
Germany: +49 (0)7264 9145-0

France: +33 (0)5 34 50 91 18  
USA: +1 (0) 408 455 2426

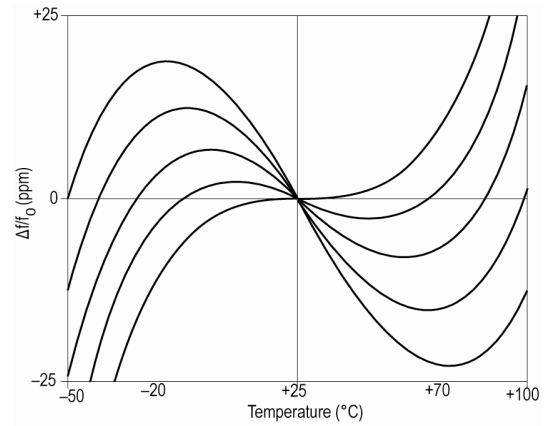
Email: [info@iqdfrequencyproducts.com](mailto:info@iqdfrequencyproducts.com)  
Web: [www.iqdfrequencyproducts.com](http://www.iqdfrequencyproducts.com)



**Packing Details**

- Pack Style: **Bulk**                      Loose in bulk pack  
Pack Size                                      100
- Pack Style: **Reel**                        Tape and reel in accordance with EIA-481-D  
Pack Size                                      1,000
- Alternative packing options available

**Typical Frequency vs Temperature Curves for various**



**Electrical Specification - maximum limiting values**

Frequency Range	Frequency Tolerance	Stability		Temperature Range	ESR Max	Vibration Mode
		Min	Max			
3.2 to <4.0MHz	±10ppm to ±100ppm	±15ppm ±20ppm ±20ppm ±25ppm ±30ppm ±100ppm	±500ppm	0 to 50°C -10 to 60°C -20 to 70°C -30 to 80°C -40 to 85°C -55 to 105°C	300Ω	Fundamental
4.0 to <5.5MHz	±10ppm to ±100ppm	±15ppm ±20ppm ±20ppm ±25ppm ±30ppm ±100ppm	±500ppm	0 to 50°C -10 to 60°C -20 to 70°C -30 to 80°C -40 to 85°C -55 to 105°C	130Ω	Fundamental
5.5 to <8.0MHz	±10ppm to ±100ppm	±15ppm ±20ppm ±20ppm ±25ppm ±30ppm ±100ppm	±500ppm	0 to 50°C -10 to 60°C -20 to 70°C -30 to 80°C -40 to 85°C -55 to 105°C	60Ω	Fundamental
8.0 to <40.0MHz	±10ppm to ±100ppm	±15ppm ±20ppm ±20ppm ±25ppm ±30ppm ±100ppm	±500ppm	0 to 50°C -10 to 60°C -20 to 70°C -30 to 80°C -40 to 85°C -55 to 105°C	40Ω	Fundamental
26.0 to <100.0MHz	±10ppm to ±100ppm	±15ppm ±20ppm	±500ppm	0 to 50°C -10 to 60°C	100Ω	3RD Overtone

**Sales Office Contact Details:**

UK: +44 (0)1460 270200  
Germany: +49 (0)7264 9145-0

France: +33 (0)5 34 50 91 18  
USA: +1 (0) 408 455 2426

Email: [info@iqdfrequencyproducts.com](mailto:info@iqdfrequencyproducts.com)  
Web: [www.iqdfrequencyproducts.com](http://www.iqdfrequencyproducts.com)



**Electrical Specification - maximum limiting values**

Frequency Range	Frequency Tolerance	Stability		Temperature Range	ESR Max	Vibration Mode
		Min	Max			
		±20ppm		-20 to 70°C		
		±25ppm		-30 to 80°C		
		±30ppm		-40 to 85°C		
		±100ppm		-55 to 105°C		

*This document was correct at the time of printing; please contact your local sales office for the latest version*

**Sales Office Contact Details:**

UK: +44 (0)1460 270200

Germany: +49 (0)7264 9145-0

France: +33 (0)5 34 50 91 18

USA: +1 (0) 408 455 2426

Email: [info@iqdfrequencyproducts.com](mailto:info@iqdfrequencyproducts.com)

Web: [www.iqdfrequencyproducts.com](http://www.iqdfrequencyproducts.com)

## X-ON Electronics

Largest Supplier of Electrical and Electronic Components

*Click to view similar products for [iqd manufacturer](#):*

Other Similar products are found below :

[LFXTAL071761CUTT](#) [LPMC XO063767BULK](#) [LPMC XO063773BULK](#) [LFOC XO063802BULK](#) [LFOC XO063809BULK](#) [LFSP XO025917](#)  
[LFTC XO063709BULK](#) [LFTC XO063710BULK](#) [LFTC XO063779BULK](#) [LFTC XO070028Cutt](#) [LFTV XO063701BULK](#)  
[LFTV XO063702BULK](#) [LFTV XO063703BULK](#) [LFTV XO063707BULK](#) [LFTV XO063791BULK](#) [LF XTAL003156](#) [LPMC XO063766BULK](#)  
[LPMC XO063771BULK](#) [LFOC XO063816BULK](#) [LF SP XO009441](#) [LFSP XO019242BULK](#) [LFTC XO063713BULK](#) [LFTC XO063714BULK](#)  
[LFTC XO063716BULK](#) [LFTV XO063704BULK](#) [LFTV XO063705BULK](#) [LFTV XO063706BULK](#) [LFTV XO063789BULK](#)  
[LFTV XO063790BULK](#) [LFOC XO063809](#) [CFPS-73-48M](#) [LFSP XO009581](#) [LFTC XO063784](#) [LFTV XO063786](#) [LFSP XO009686Bulk](#)  
[LFRB XO059244Bulk](#) [LFTV XO075802Cutt](#) [LFOC XO067293Bulk](#) [LFTC XO075792Cutt](#) [LPMC XO064079BULK](#) [LFSP XO071189](#)  
[LFOC XO067293](#) [LFTC XO063780BULK](#) [LFSP XO056269CUTT](#) [LFOC XO063803BULK](#) [LFSP XO009592CUTT](#) [LFOC XO065520Bulk](#)  
[LFMISC070550Bulk](#) [LFSP XO025494Cutt](#) [LPMC XO064080BULK](#)