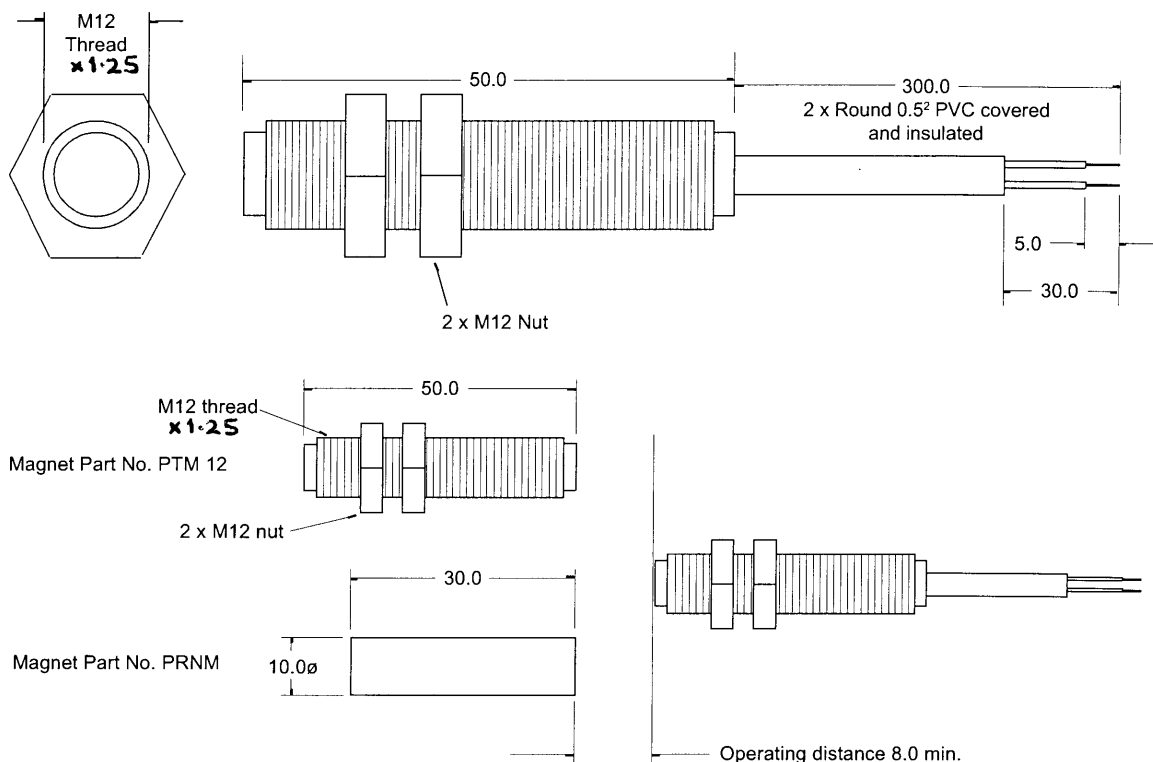


ASSEMtech Europe Ltd

PRODUCT DATA SHEET



Drawings not to scale
All dimensions in mm

SPECIFICATION

CONTACT FORM/STYLE		A/OPEN
SWITCHING VOLTAGE	Max. Vac	230
SWITCHING CURRENT	Max. A	3.0
SWITCHING CAPACITY (RESISTIVE)	Max. VA	60
CONTACT RESISTANCE	Max. mΩ	80
SWITCHING DISTANCE	Min. mm	8.0
OPERATING TEMPERATURE	Deg. °C	-20° + 85°
STORAGE TEMPERATURE	Deg. °C	-25° + 85°
CASE MATERIAL		Brass-nickel plated

CYLINDRICAL MAGNETIC PROXIMITY SWITCHES

PART NUMBER
PTA 230/30

Rev. No.	Revision Note	Date	Signature
B	Provisional	1-4-98	RG



BS5750/ISO 9000
Reg. No. FM 21080

As part of the company policy of continued product improvement, specifications may change without notice. Our sales office will be pleased to help you with the latest information on this product range and details of our full design and manufacturing service. All products are supplied to our standard conditions of sale otherwise agreed in writing.

X-ON Electronics

Largest Supplier of Electrical and Electronic Components

Click to view similar products for [Proximity Sensors](#) category:

Click to view products by [Comus](#) manufacturer:

Other Similar products are found below :

[01.001.5653.1](#) [70.340.1028.0](#) [70.360.2428.0](#) [70.364.4828.0](#) [70.810.1053.0](#) [72.360.1628.0](#) [73.363.6428.0](#) [9221350022](#) [980659-1](#) [QT-12](#)
[E2EX10D1NN](#) [E2E-X14MD1-G](#) [E2E-X2D1-G](#) [E2EX2ME2N](#) [E2E-X3D1-N](#) [10M](#) [E2E-X4MD1-G](#) [E2FMX1R5D12M](#) [E2K-F10MC1](#) [5M](#)
[EI1204TBOSL-6](#) [EI5515NPAP](#) [BSA-08-25-08](#) [IC08ANC15PO-K](#) [IMM2582C](#) [25.161.3253.0](#) [25.332.0653.1](#) [25.352.0653.0](#) [25.352.0753.0](#)
[25.523.3253.0](#) [9151710023](#) [922FS1.5C-A4P-Z774](#) [SC606ABV0S30](#) [SM952A126100LE](#) [A1220EUA-T](#) [F3S-A162-U](#) [CL18](#) [QT-08L](#)
[34.110.0010.0](#) [TL-C2MF1-M3-E4](#) [IA08BLF15NOM5](#) [IA08BSF15NOM5](#) [IA12ASF04DOM1](#) [IMM32188C](#) [IS2](#) [IS31SE5000-UTLS2-TR](#)
[34.110.0021.0](#) [34.110.0022.0](#) [CA150-120VACDC](#) [VM18VA3000Q](#) [XS508BSCBL2](#) [XS512BLNAM12](#)