

Features

- Operates on 50Hz or 60Hz AC Voltage
- Will Operate Continuously Without Overheating
- Easy Single Screw Mounting



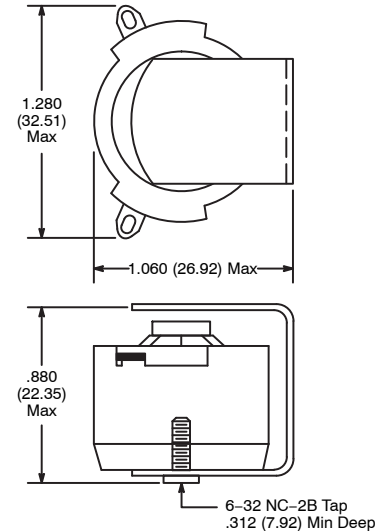
AC OPERATED				
NTE Type No.	Nominal Voltage	Resistance Ohms $\pm 10\%$	Nominal Coil Power	Diag No.
RB-12	12VAC	20	3.0VA	D56
RB-24	24VAC	80	3.0VA	D56
RB-120	120VAC	2025	3.0VA	D56
RB-240	240VAC	8000	3.0VA	D56

RB Series



AC Buzzer, Typical Applications Include Toasters, Ovens, Alarms, and Signaling Devices.

D56



Electrical Specifications

Coil Data

Coil Voltages: AC Only: Up to 277 Volts/60Hz

Operate Data

Operating Voltage: $\pm 15\%$ of Nominal

Sound Pressure Level: (Nominal Voltage)
93 dBA at 15 cm (Average)
74 dBA at 1.0 Meters (Average)

Insulation Characteristics

Dielectric Strength

Between all Elements: 1000 VRMS, 60Hz

Environmental Characteristics

Operating Ambient: -45°C to $+110^{\circ}\text{C}$

Coil Temperature Rise: (25 $^{\circ}\text{C}$ Ambient – Continuous Duty)
45 $^{\circ}\text{C}$ Approx. @ 60Hz – Use at 50Hz will
Cause Slight Increase in Coil Rise

Mechanical Data

Terminals: Pierced solder lugs .187" x .020"

Weight

Std: 31 gram approx.

X-ON Electronics

Largest Supplier of Electrical and Electronic Components

Click to view similar products for [Piezo Buzzers & Audio Indicators](#) category:

Click to view products by [NTE](#) manufacturer:

Other Similar products are found below :

[PFD-21A29W](#) [PLD-21N30W](#) [REM-6027F-1.5](#) [RH1020C-010-NFP-G-NL](#) [PFD-27N36W](#) [KBS-20DA-7AS](#) [KBS-27DA-5C-105](#)
[RFS5015382PNL](#) [MSR516NP](#) [DMT-1606S-NL](#) [OMT112](#) [SCE016SD3CM4B](#) [DMT-09-1-4B-NL](#) [HBO0302C-58/1248](#) [AT-3045-TF-LW110-R](#) [SMA-17-S](#) [BMS3650L-LF](#) [SMT-0540-T-7-R](#) [SMT-0540-T-2-R](#) [AT-0927-TT-2-R](#) [AT-2310-T-LW100-R](#) [SMI-1324-TW-5V-4-R-T/R](#)
[SMI-1324-TW-5V-2-R-T/R](#) [SC0715BL](#) [AI-1027-TWT-5V-R](#) [SC235AF](#) [SMT-0827-TW-5V-R](#) [AT-2830-TWT-R](#) [AT-1220-TT-5-R](#) [AT-1220-TT-10-R](#) [AT-1127-ST-2-R](#) [AT-1220-TWT-5V-R](#) [AT-1750-TFL-LW95-R](#) [SMT-1427-S-R](#) [SMT-1127-S-R](#) [AI-3245-TF-LW95-R](#) [AI-2438-TT-R](#) [AB2040B](#) [SMT-1324-TW-5V-R](#) [AT-2429-TWT-R](#) [AI-1223-TWT-12V-3-R](#) [AI-1440-TWT-24V-2-R](#) [AB4113B](#) [AI-2304-TF-LW120-12V-R](#) [AI-4329-P-SP28-R](#) [XL-5020-TF-LW150-S-R](#) [SMA-30-P17.5](#) [AI-5025-TWT-R](#) [X-5735-LW350-S-2-R](#) [AW-10PR](#)