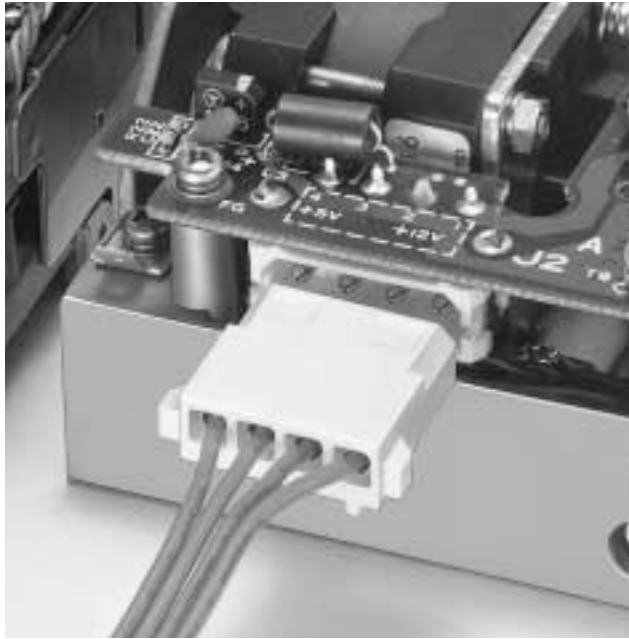


JST

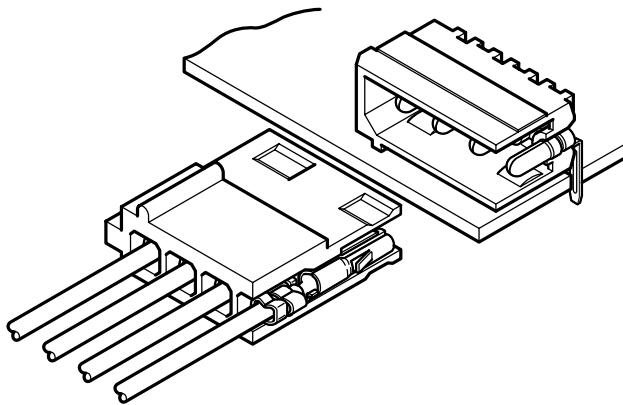
Crimp

5.08mm
(.200") pitch

LC CONNECTOR

Disconnectable Crimp style connectors

This reliable, low cost connector is suited for bringing power to printed circuit boards in office automation equipment. A major application has been in secondary power supply circuits of floppy disk drives.



Features

• Anti-misinsertion feature

The plug and header are polarized, thus preventing misinsertion of the connector.

• Self-locking housing clamp

The self-locking housing clamp for the header ensures easy handling and sturdy mounting.

• Two kinds of headers

Type A and B headers are available to match the mounting direction of your printed circuit boards.

• Two-wire crimp style contact

Two-wire crimp contacts which facilitate branch connections and internal jumpering are available.

Specifications

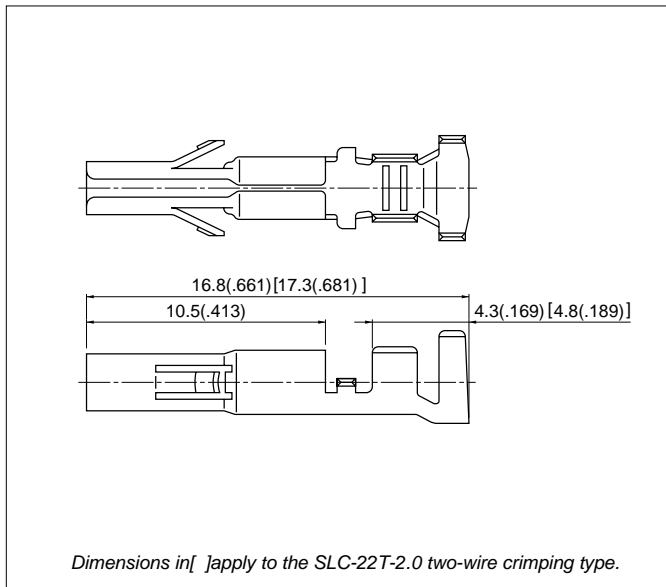
- Current rating: 7A AC, DC (AWG #18)
- Voltage rating: 250V AC, DC
- Temperature range: -25°C to +90°C
(including temperature rise in applying electrical current)
- Contact resistance: Initial value/10m Ω max.
After environmental testing/20m Ω max.
- Insulation resistance: 1,000M Ω min.
- Withstanding voltage: 1,500V AC/minute
- Applicable wire: AWG #22 to #18
- Applicable PC board thickness: 1.6mm(.063")
- Number of circuits: 4
- * Contact JST for details.

Standards

 Recognized E60389

 Certified LR20812

Contact



One-wire crimping type

Model No.	Applicable wire			Q'ty / reel
	mm ²	AWG #	Insulation O.D. mm(in.)	
SLC-21T-2.0	0.3 to 0.75	22 to 18	1.7 to 2.1(.067 to .083)	4,000

Material and Finish

Brass, tin-plated

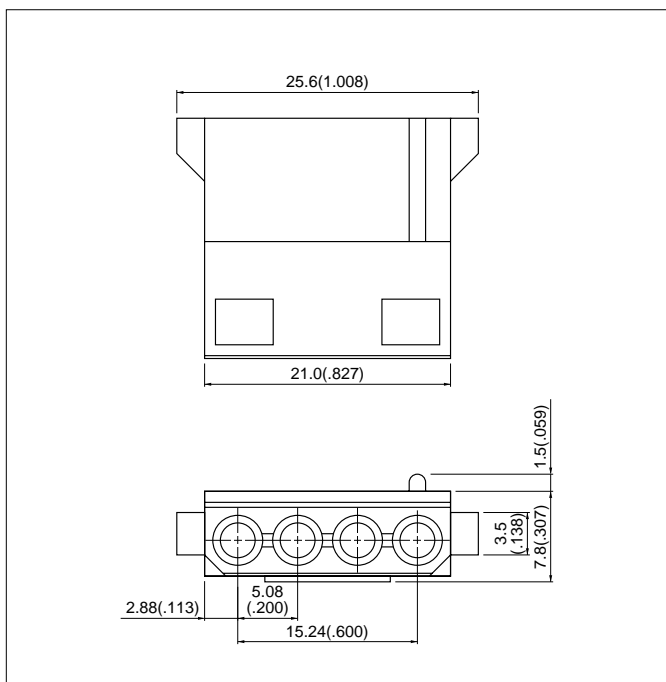
Two-wire crimping type

Model No.	Combination of applicable wires UL1007 AWG #	Q'ty / reel
SLC-22T-2.0	20+20, 20+18, 18+18	3,000

Material and Finish

Brass, tin-plated

Housing



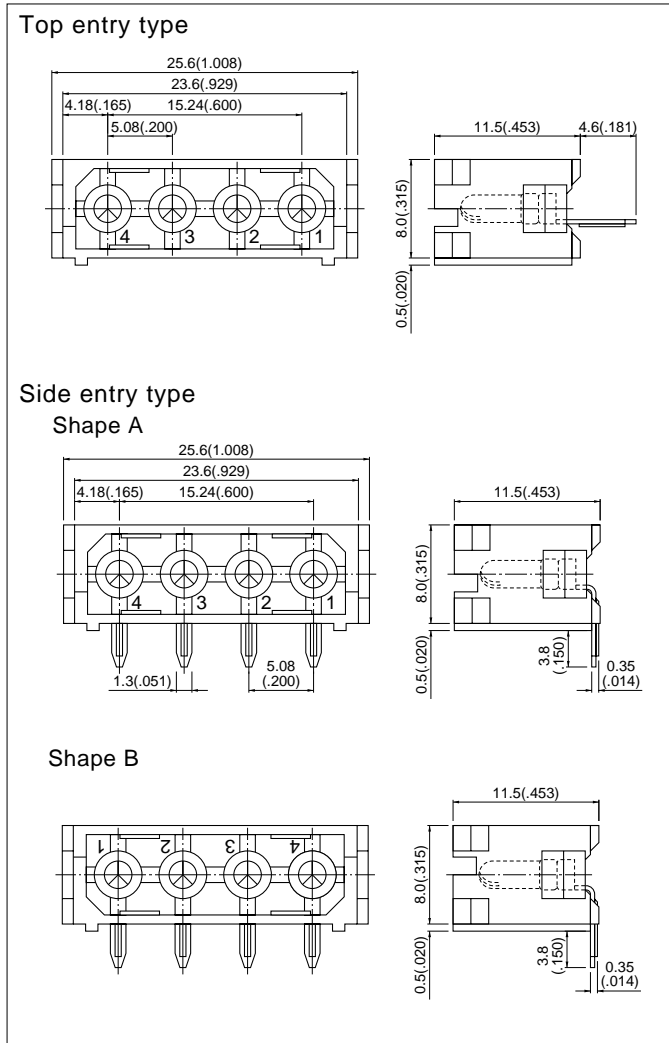
Model No.	Q'ty / box
LCP-04	500

Material

Nylon 6, UL94V-0, natural (white)

LC CONNECTOR

Shrouded header



Top entry type

Model No.	Q'ty / box
LC-04T	100

Material and Finish

Contact: Brass, copper-undercoated, tin-plated
Housing: Nylon 66, UL94V-0, natural (white)

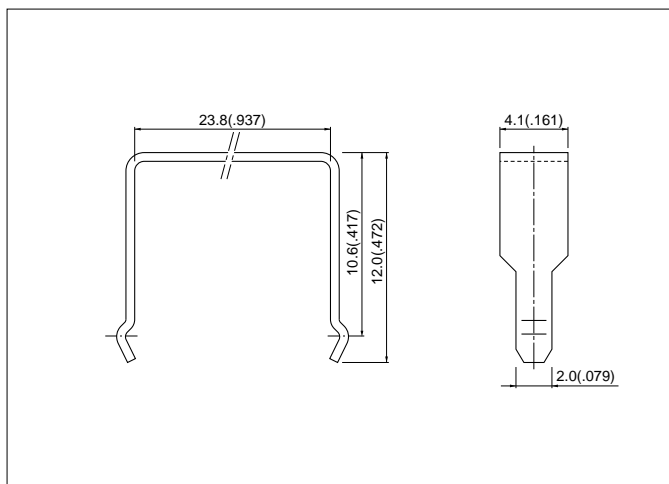
Side entry type

Shape	Model No.	Q'ty / box
A	LC-04A	100
B	LC-04B	

Material and Finish

Contact: Brass, copper-undercoated, tin-plated
Housing: Nylon 66, UL94V-0, natural (white)

Housing clamp

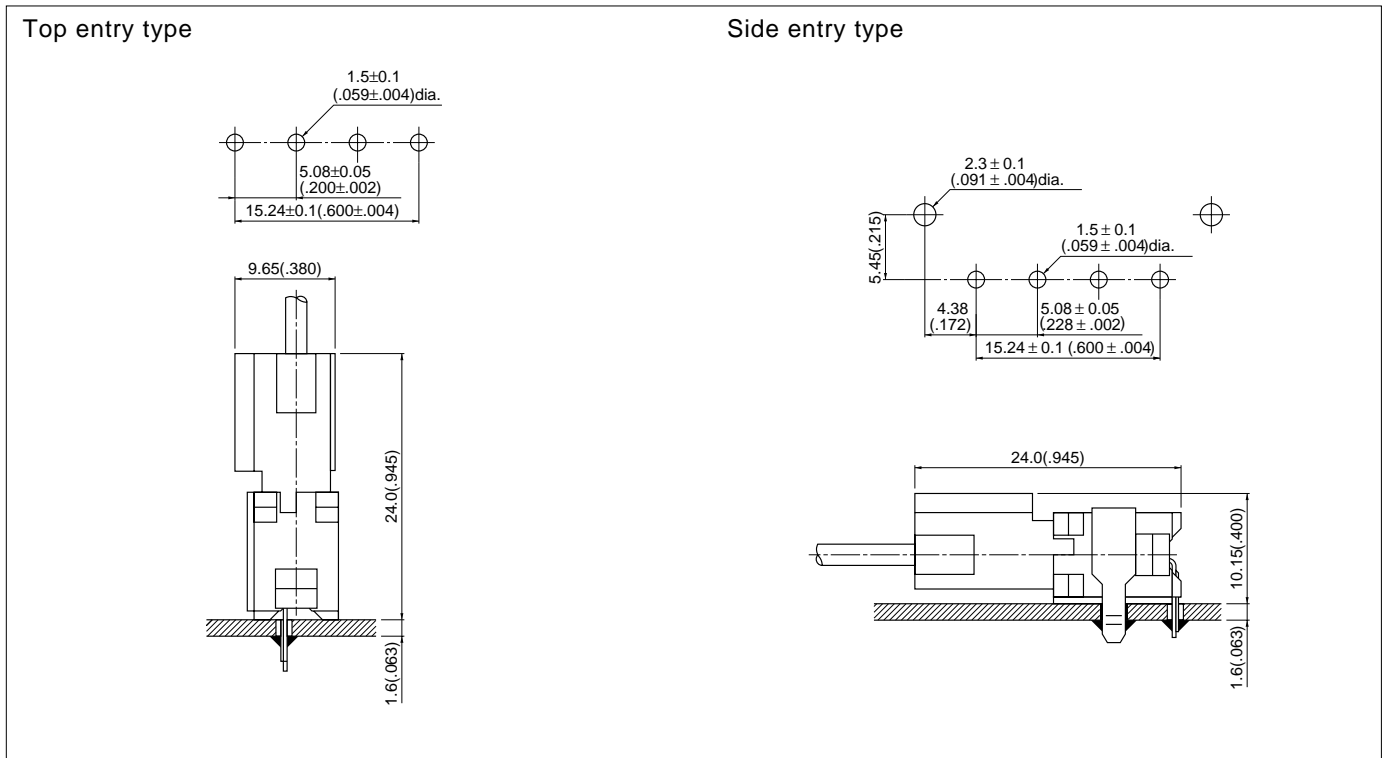


Model No.	Q'ty / box
LCC-04	500

Material and Finish

Brass, copper-undercoated, tin-plated

PC board layout (viewed from component side) and Assembly layout



Note:

1. Tolerances are non-cumulative: $\pm 0.05\text{mm} (\pm .002")$ for all centers.
2. Hole dimensions differ according to the kind of PC board and piercing method. The dimensions above should serve as a guideline. Contact JST for details.

Applicator for the semi-automatic press AP-K2N

Contact	Crimp applicator MKS-L		Compact crimp applicator MKS-LS		Strip-crimp applicator MKS-SC
	with safety cover	without safety cover	with safety cover	without safety cover	with safety cover
SLC-21T-2.0	APLMK SLC21-20	APLNC SLC21-20	-	-	-
SLC-22T-2.0	APLMK SLC22-20	APLNC SLC22-20	-	-	-

X-ON Electronics

Largest Supplier of Electrical and Electronic Components

Click to view similar products for [FFC & FPC Connectors](#) category:

Click to view products by [JST manufacturer](#):

Other Similar products are found below :

[HFW11R-1STE1H1LF](#) [FH29B-100S-0.2SHW\(99\)](#) [FA5S008HP1](#) [FH29B-120S-0.2SHW\(99\)](#) [FH29B-80S-0.2SHW\(99\)](#) [FHS-16](#) [FPH-2022G](#)
[52610-1075](#) [52610-1275](#) [52610-1934](#) [XF3M\(1\)-1415-1B-R100](#) [501864-3091-TR225](#) [0525594033](#) [086210010340800](#) [086222026001800](#)
[52271-2869-CUT-TAPE](#) [62674-201121DLF](#) [62684-36210E9ALF](#) [52610-1675](#) [52746-1671-TR250](#) [10051922-2810EHLF](#) [6-520415-9](#)
[BD021-09A-A1-0350-0200-0550-LD](#) [SFV6R-1STE9HLF](#) [XF3M-2915-1B-R100](#) [1658549-1](#) [62674-221121ALF](#) [46214008010800](#)
[046298003000883](#) [151660622](#) [842-816-2630-035](#) [AYF530665TA](#) [AYF351525](#) [046296011930846+](#) [AYF352325A](#) [046254020000800+](#)
[FH19C-13S-0.5SH\(99\)](#) [FH39J-51S-0.3SHW\(99\)](#) [AYF355125A](#) [AYF530365TA](#) [FH29B-44S-0.2SHW\(99\)](#) [SFW5R-2STAE9LF](#) [AYF351125A](#)
[AYF350725A](#) [62684-502100AHLF](#) [FH39-61S-0.3SHW\(99\)](#) [AYF414035A](#) [10064555-172520HLF](#) [AYF212335A](#) [504754-2500](#)