

ALL STAINLESS STEEL "S" BEAM LOAD CELLS

HIGH ACCURACY, ECONOMICAL PRICE

STANDARD AND METRIC MODELS

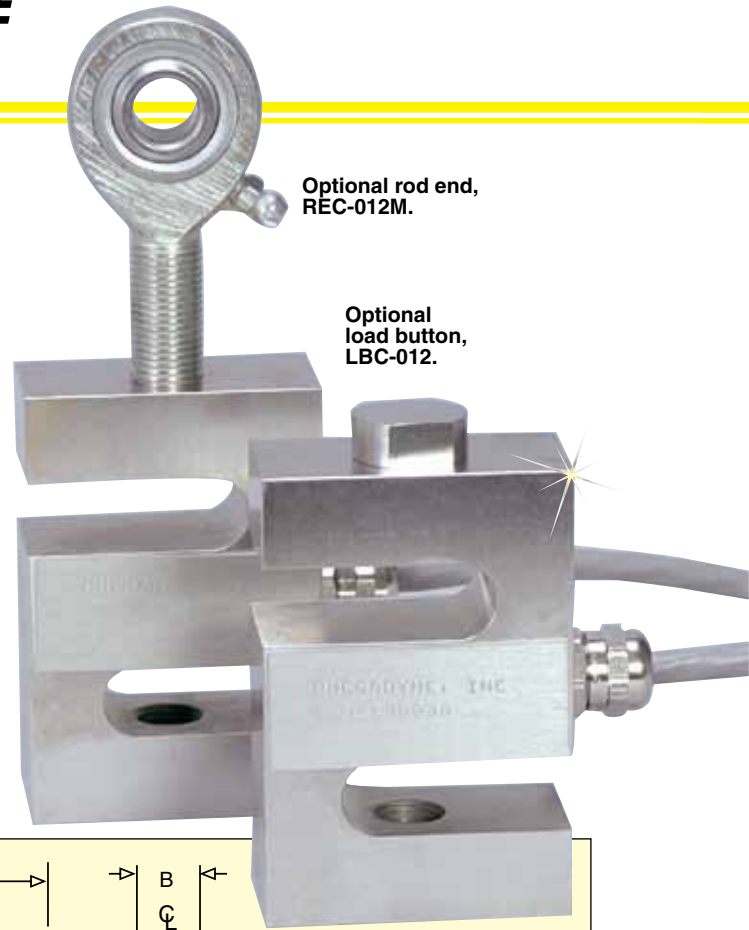
Tension/Compression
0-25 lb to 0-40,000 lb
0-10 kgf to 0-10,000 kgf

LC101/LCM101 Series

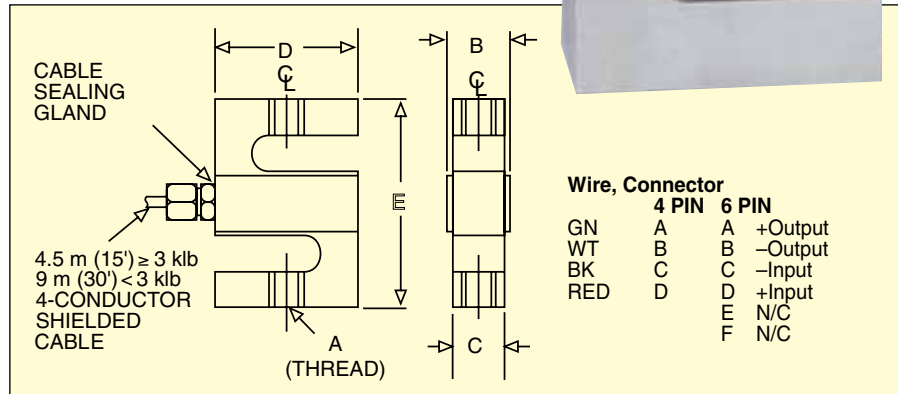
LC111/LCM111 Series



STANDARD
LC101-2K
 shown slightly
 smaller than
 actual size.



- ✓ All Stainless Steel for Harsh Industrial Applications
- ✓ 0.25% Interchangeability for Multiple Load Cell Applications
- ✓ 5-Point Calibration Provided (in Tension)



SPECIFICATIONS

Excitation: 10 Vdc, 15 Vdc maximum
Output: 3 mV/V ±0.0075 mV/V
Linearity: ±0.03% FSO (0.1% 40 K)
Hysteresis: ±0.02% FSO (0.1% 40 K)
Repeatability: ±0.01% FSO (0.05% 40 K)
Zero Balance: ±1% FSO
Operating Temp Range: -40 to 93°C (-40 to 200°F)
Compensated Temp Range: 17 to 71°C (60 to 160°F)
Thermal Effects:
 Zero: 0.002% FSO/°C
 Span: 0.002% FSO/°C
Safe Overload: 150% of capacity
Ultimate Overload: 300% of capacity
Input Resistance: 350 ±10 Ω
Output Resistance: 350 ±10 Ω
Full Scale Deflection: 0.010 to 0.020"
Construction: 17-4 PH stainless steel

Electrical (LC101/LCM101) (4-Conductor Shielded Cable):
 <100 kgf/250 lb: 9 m (30') 24 AWG
 250 to 1000 kgf/250 to 2000 lb:
 9 m (30') 20 AWG
 ≥1500 kgf/3000 lb: 4.5 m (15') 20 AWG

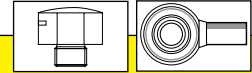
Mating Connector (LC111/LCM111):
 ≤100 kgf/200 lb: PT06F8-4S, sold separately
 ≥250 kgf/250 lb: PT06F10-6S, sold separately

Dimensions: mm (inch)

| CAPACITY | A | B | C | D | E | WEIGHT kg (lb) |
|--------------|------------|-----------|-----------|-----------|-----------|----------------|
| lb | | | | | | |
| 25 to 200 | 1/4-28 | 19 (0.75) | 13 (0.50) | 38 (1.5) | 64 (2.5) | 0.45 (1.0) |
| 250 to 2.5K | 1/2-20 | 32 (1.25) | 25 (1.0) | 51 (2.0) | 76 (3.0) | 1.1 (2.5) |
| 3K to 5K | 5/8-18 | 32 (1.25) | 25 (1.0) | 51 (2.5) | 89 (3.5) | 1.6 (3.5) |
| 10K to 20K | 1-14 | 44 (1.75) | 38 (1.5) | 76 (3.0) | 108 (4.3) | 2.0 (4.5) |
| 25K to 30K | 1-14 | 57 (2.25) | 51 (2.0) | 102 (4.0) | 108 (4.3) | 4 (9) |
| 40K | 1 1/4-12 | 83 (3.25) | 76 (3.0) | 102 (4.0) | 140 (5.5) | 6 (13) |
| kgf | | | | | | |
| 10 to 100 | M6 x 1.00 | 19 (0.75) | 13 (0.50) | 38 (1.5) | 64 (2.5) | 0.45 (1.0) |
| 250 to 1000 | M12 x 1.75 | 32 (1.25) | 25 (1.0) | 51 (2.0) | 76 (3.0) | 1.1 (2.5) |
| 1500 to 2000 | M16 x 2.0 | 32 (1.25) | 25 (1.0) | 51 (2.5) | 89 (3.5) | 1.6 (3.5) |
| 5K to 10K | M24 x 2.00 | 44 (1.75) | 38 (1.5) | 76 (3.0) | 108 (4.3) | 2.0 (4.5) |

ALL STAINLESS STEEL "S" BEAM LOAD CELLS HIGH ACCURACY, ECONOMICAL PRICE

**STANDARD AND
METRIC MODELS**



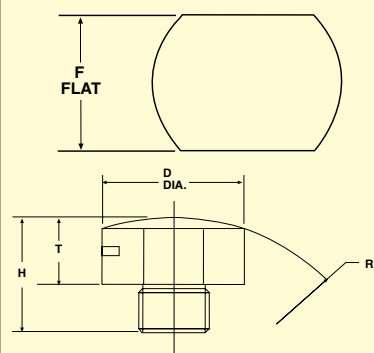
STANDARD LOAD BUTTONS

| MODEL NO. | THREAD |
|-----------|--------|
| LBC-014 | ¼-28 |
| LBC-012 | ½-20 |
| LBC-058 | ⅝-18 |
| LBC-100 | 1-14 |
| LBC-114 | 1¼-12 |

METRIC LOAD BUTTONS

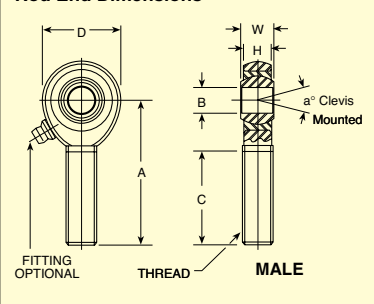
| MODEL NO. | THREAD |
|-----------|------------|
| MLBC-M6 | M6 x 1.0 |
| MLBC-M12 | M12 x 1.75 |
| MLBC-M16 | M16 x 2.0 |
| MLBC-M24 | M24 x 2.0 |

Load Button Dimensions



Visit us online for dimensions.

Rod End Dimensions



To Order

| CAPACITY | | MODEL | | COMPATIBLE METERS* | LOAD BUTTON | ROD END |
|------------------------|--------|-------------|-------------|--------------------------|-------------|------------|
| lb | kgf | CABLE | CONNECTOR | | MODEL NO. | MODEL NO. |
| STANDARD MODELS | | | | | | |
| 25 | — | LC101-25 | LC111-25 | DP41-S, DP25B-S | LBC-014 | REC-014M |
| 50 | — | LC101-50 | LC111-50 | DP41-S, DP25B-S | LBC-014 | REC-014M |
| 100 | — | LC101-100 | LC111-100 | DP41-S, DP25B-S | LBC-014 | REC-014M |
| 200 | — | LC101-200 | LC111-200 | DP41-S, DP25B-S | LBC-014 | REC-014M |
| 250 | — | LC101-250 | LC111-250 | DP41-S, DP25B-S | LBC-012 | REC-012M |
| 500 | — | LC101-500 | LC111-500 | DP41-S, DP25B-S | LBC-012 | REC-012M |
| 1000 | — | LC101-1K | LC111-1K | DP41-S, DP25B-S | LBC-012 | REC-012M |
| 2000 | — | LC101-2K | LC111-2K | DP41-S, DP25B-S | LBC-012 | REC-012M |
| 3000 | — | LC101-3K | LC111-3K | DP41-S, DP25B-S | LBC-058 | REC-058M |
| 5000 | — | LC101-5K | LC111-5K | DP41-S, DP25B-S | LBC-058 | REC-058M |
| 10,000 | — | LC101-10K | LC111-10K | DP41-S, DP25B-S | LBC-100 | REC-100M |
| 20,000 | — | LC101-20K | LC111-20K | DP41-S, DP25B-S | LBC-100 | REC-100M |
| 25,000 | — | LC101-25K | LC111-25K | DP41-S, DP25B-S | LBC-100 | REC-100M-1 |
| 30,000 | — | LC101-30K | LC111-30K | DP41-S, DP25B-S | LBC-100 | REC-100M-1 |
| 40,000 | — | LC101-40K | LC111-40K | DP41-S, DP25B-S | LBC-114 | REC-114M |
| METRIC MODELS | | | | | | |
| — | 10 | LCM101-10 | LCM111-10 | iSeries, DP41-S, DP25B-S | MLBC-M6 | MREC-M6M |
| — | 25 | LCM101-25 | LCM111-25 | iSeries, DP41-S, DP25B-S | MLBC-M6 | MREC-M6M |
| — | 50 | LCM101-50 | LCM111-50 | iSeries, DP41-S, DP25B-S | MLBC-M6 | MREC-M6M |
| — | 100 | LCM101-100 | LCM111-100 | iSeries, DP41-S, DP25B-S | MLBC-M6 | MREC-M6M |
| — | 250 | LCM101-250 | LCM111-250 | iSeries, DP41-S, DP25B-S | MLBC-M12 | MREC-M12M |
| — | 500 | LCM101-500 | LCM111-500 | iSeries, DP41-S, DP25B-S | MLBC-M12 | MREC-M12M |
| — | 1000 | LCM101-1K | LCM111-1K | iSeries, DP41-S, DP25B-S | MLBC-M12 | MREC-M12M |
| — | 1500 | LCM101-1.5K | LCM111-1.5K | iSeries, DP41-S, DP25B-S | MLBC-M16 | MREC-M16M |
| — | 2000 | LCM101-2K | LCM111-2K | iSeries, DP41-S, DP25B-S | MLBC-M16 | MREC-M16M |
| — | 5000 | LCM101-5K | LCM111-5K | iSeries, DP41-S, DP25B-S | MLBC-M24 | MREC-M24M |
| — | 10,000 | LCM101-10K | LCM111-10K | iSeries, DP41-S, DP25B-S | MLBC-M24 | MREC-M24M |

ACCESSORIES

| MODEL NO. | DESCRIPTION |
|-----------------|---|
| PT06F8-4S | Mating connector for LC111/LCM111 series load cells, 200 lb, <100 kg |
| PT06F10-6S | Mating connector for LC111/LCM111 series load cells, 250 lb, >250 kg |
| CA-4PC24-2A-015 | LC111/LCM111 series load cells, 200 lb, < 100 kg, cable assembly with 4 pin connector |
| CA-4PC24-2-015 | LC111/LCM111 series load cells, 250 lb, > 250 kg, cable assembly with 6 pin connector |

Comes complete with 5-point NIST-traceable calibration and 59 kΩ shunt data.

* Visit us online for compatible meters.

To order connector style, change model number to LC111, no extra charge. Mating connector sold separately.

Ordering Examples: LC111-200, 200 lb capacity connector-style load cell.

LCM111-100, 100 kgf capacity connector-style load cell. PT06F8-4S, mating connector, REC-014M, matching rod end, LBC-014, matching load button.

LC101-5K, 5000 lb capacity cable-style load cell. REC-058M, matching rod end.

ROD ENDS

| To Order | | | | | | | | | | Dimensions: mm (inch) |
|---------------|------------|-------------|------------|---------------|-------------|------------|-------------|----|----------------|-----------------------|
| MALE ROD ENDS | THREAD | B | W | H | A | D | C | a° | STATIC LOAD lb | |
| REC-014M | ¼-28 UNF | 5 (0.190) | 8 (0.312) | 6 (0.250) | 40 (1.562) | 19 (0.750) | 25 (1.000) | 10 | 2158 | |
| REC-012M | ½-20 UNF | 11 (0.4375) | 14 (0.562) | 11 (0.437) | 62 (2.438) | 33 (1.312) | 38 (1.500) | 12 | 23,452 | |
| REC-058M | ⅝-18 UNF | 13 (0.5000) | 16 (0.625) | 13 (0.500) | 67 (2.625) | 38 (1.500) | 41 (1.625) | 10 | 31,390 | |
| REC-100M | 1-14 UNF | 25 (1.000) | 35 (1.375) | 25 (1.000) | 105 (4.125) | 70 (2.750) | 545 (2.120) | 14 | 43,541 | |
| REC-114M | 1¼-12 UNF | 32 (1.250) | 28 (1.093) | 24 (0.937) | 105 (4.125) | 70 (2.750) | 54 (2.125) | 7 | 44,500 | |
| MREC-M6M | M6 x 1.0 | 6 (0.236) | 9 (0.354) | 7 (0.275) | 36 (1.417) | 19 (0.748) | 22 (0.866) | 13 | 17,720 | |
| MREC-M12M | M12 x 1.75 | 12 (0.472) | 16 (0.630) | 12 (0.472) | 54 (2.126) | 30 (1.181) | 33 (1.300) | 17 | 44,490 | |
| MREC-M16M | M16 x 2.0 | 16 (0.630) | 21 (0.826) | 14.25 (0.561) | 66 (2.598) | 38 (1.496) | 40 (1.575) | 23 | 76,291 | |
| MREC-M24M | M24 x 2.0 | 25 (0.984) | 31 (1.220) | 22 (0.866) | 95 (3.740) | 60 (2.362) | 57 (2.244) | 19 | 251,780 | |

X-ON Electronics

Largest Supplier of Electrical and Electronic Components

Click to view similar products for [newport manufacturer](#):

Other Similar products are found below :

[BDS1](#) [BDT1](#) [WTK-14-36/N](#) [5TC-TT-J-24-72](#) [TXDIN70](#) [OTP-U-F](#) [5SC-TT-K-30-36](#) [WTK-8-24/N](#) [TPJ-U-F](#) [OTP-U-M](#) [5TC-TT-J-24-50/N](#)
[5SC-TT-T-30-72](#) [SMTC-AL-P](#) [SMPW-CC-T-M](#) [MPJ-K-F-ROHS](#)