

# Electronic pressure sensors

## OsiSense XM

Pressure sensors with 4-digit display, type XMLR

### OsiSense XMLR

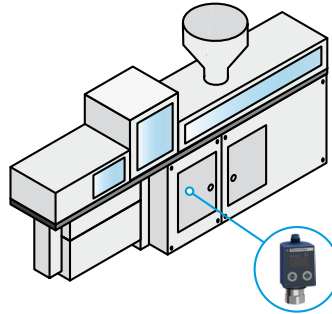
Pressure sensors are used to control and measure pressure or vacuum levels in hydraulic or pneumatic systems.

They transform the pressure into an electrical signal. They then produce an analogue output which is proportional to the measured pressure and/or one or two switching outputs for which the switching point can be adjusted.

The high precision and performance of OsiSense XMLR pressure sensors makes them suitable for numerous industrial applications requiring pressure/vacuum display, control or regulation.

### Easy to mount

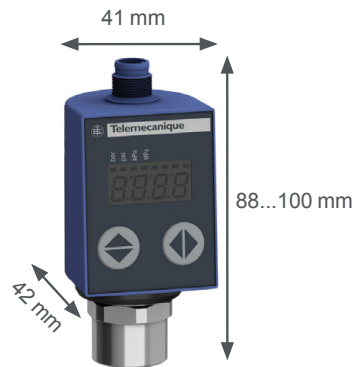
Minimize installation time and effort. Mounting is easy and flexible with the compact-sized, rotating body and reversed display function.



*With its compact size, the OsiSense XMLR pressure sensor is easily integrated in the machine.*

### Compact size

> With a height of just 88 to 100 mm depending on the pressure range and the fluid entry type, OsiSense XMLR is one of the most compact pressure switches on the market.



### Rotating body

> The body of the OsiSense XMLR pressure sensor can be rotated 300°, thus enabling the front face of the product to be orientated as required following connection to the pressure inlet pipe.

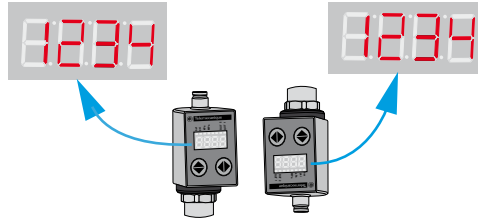


**+** The easy swith for machine pressure control

### Easy to mount (continued)

#### Display inversion function

> The display can be inverted vertically to adapt to the sensor's installation position.



### Easy to set up

#### Menu naming and structure based on VDMA\* standard

> The ergonomic design of OsiSense XMLR sets a new standard for ease of configuration.

#### Navigation using just two pushbuttons

> Two simple pushbuttons are all that is needed to navigate through an intuitive menu structured according to VDMA\* 24574-1 standard.



- 1 Pushbutton to display a value or parameter or to save a selected value or parameter and return to the menu.
- 2 Pushbutton to scroll from one menu to another or to increase a value or change a parameter

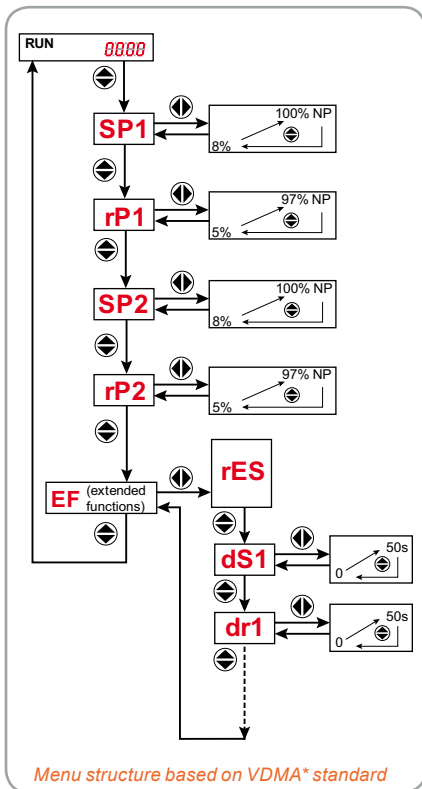
### Easy to maintain

At each device start up, all segments of the display light up briefly to confirm that it is operating correctly.

The device can be tested using a diagnostic function which checks the whole electronic signal processing chain. This function is accessible via the "Dia" menu. It can be activated directly by the PLC by remote control via the test input (on products which only have one analogue output).

OsiSense XMLR pressure sensors also include a recording of the high and low pressure values measured since the last reset. These values can be displayed via the Hi and Lo menus.

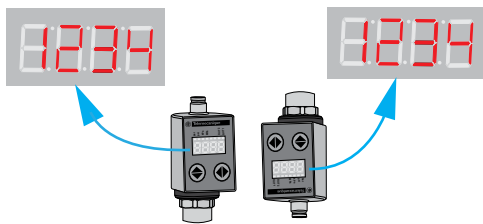
\* VDMA: Verband Deutscher Maschinen und Anlagenbau e. V.



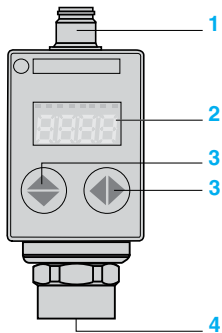
# Electronic pressure sensors

## OsiSense XM

Pressure sensors with 4-digit display, type XMLR  
Compact plastic body, stainless steel 316L fluid entry  
With analogue and solid-state outputs



Reversed display function



### Presentation

Electronic pressure sensors type XMLR are used for pressure control of hydraulic oils, fresh water, air and refrigerant fluids, between -1 and 600 bar. Depending on the model, XMLR sensors are available with different configurations in order to meet the highest number of requirements:

- one analogue output, 4...20 mA or 0...10 V, proportional to the measuring range,
- one analogue output and one switching output, PNP or NPN type,
- two switching outputs, PNP or NPN type,
- one analogue output (4...20 mA) and two switching outputs, PNP or NPN type.

### Compact and robust:

The stainless steel 316L fluid entry and glass-fiber-reinforced polyarylamide body provide the XMLR pressure sensors with excellent mechanical resistance, improved corrosion resistance and an P65/IP67 degree of protection. These products are for a nominal supply voltage of 24 V  $\square$  and have a 17 to 33 V  $\square$  operating range.

They are particularly suitable for:

- Moulding and thermoforming presses
- Injection machines
- Pneumatic systems and assembly machinery
- Hydraulic systems of lifting and handling equipment
- Pumping and fresh water treatment

### Compact

88 mm to 100 mm overall, depending on model.

### Simplicity of setting-up

The body of the OsiSense XMLR pressure sensor can be turned through 300°, thus enabling the front face of the product to be orientated as required following connection to the pressure inlet pipe.

In addition, the reversed display function simplifies reading in the event of upside down mounting (fluid entry from above).

### Description

- 1 M12 male connector, 4 or 5-pin depending on model.
- 2 4-digit, 7 segment display and LED indicator for pressure unit and output state (LED on when the output is activated).
- 3 Navigation keys for setting and configuring the menus (conforming to VDMA 24574).
- 4 Fluid entry: G 1/4 female, 1/4"-18NPT female or SAE 7/16-20UNF female, depending on model.

### Functions

#### Configurable functions

#### For the display:

- Pressure unit of measurement (bar, psi, kPa or MPa).
- Display refresh time: fast (50 ms), normal (200 ms), slow (600 ms).
- 180° reversed display function.
- Display off: power saving mode.

#### For the analogue output (4...20 mA or 0...10 V):

- Offset compensation in the range of  $\pm 5\%$  of the nominal pressure.
- Adjustment of analogue end point between 75 and 125% of the nominal pressure.

#### For each solid-state output:

- NO or NC contact
- Switching mode of outputs: Hysteresis (pumping) or Window (control).
- Time delay both on trip and on reset (adjustable from 0 to 50 s, in steps of 1 s).

#### Locking/unlocking:

- The product can be locked to prevent unintended resetting. All means of adjusting the settings are then disabled.

#### Fast diagnostic functions

- Illumination of all the segments of the display on each power-up, enabling checking of their operation.
- Diagnostic function for checking correct operation of the sensor.
- Saving of min. and max. pressures measured by the sensor and their subsequent display.

# Electronic pressure sensors

## OsiSense XM

Pressure sensors with 4-digit display, type XMLR

Compact plastic body, stainless steel 316L fluid entry

With analogue and solid-state outputs



XMLR●●●G●●●5



XMLR●●●G●●●6

### -1 to 0 bar (-14.5 to 0 psi)

Maximum permissible accidental pressure: 3 bar, destruction pressure: 3 bar

G 1/4 female DIN 3852-Y fluid connection

Analogue output type	Solid-state output type	Reference	Weight kg
4...20 mA	–	XMLRM01G0T25	0.190
0...10 V	–	XMLRM01G0T75	0.190
4...20 mA	1 x PNP	XMLRM01G1P25	0.190
4...20 mA	1 x NPN	XMLRM01G1N25	0.190
0...10 V	1 x PNP	XMLRM01G1P75	0.190
0...10 V	1 x NPN	XMLRM01G1N75	0.190
–	2 x PNP	XMLRM01G2P05	0.190
–	2 x NPN	XMLRM01G2N05	0.190
4...20 mA	2 x PNP	XMLRM01G2P25	0.190
4...20 mA	2 x NPN	XMLRM01G2N25	0.190

### 1/4"-18NPT female fluid connection

4...20 mA	–	XMLRM01G0T26	0.212
4...20 mA	1 x PNP	XMLRM01G1P26	0.212
4...20 mA	1 x NPN	XMLRM01G1N26	0.212
–	2 x PNP	XMLRM01G2P06	0.212
–	2 x NPN	XMLRM01G2N06	0.212
4...20 mA	2 x PNP	XMLRM01G2P26	0.212
4...20 mA	2 x NPN	XMLRM01G2N26	0.212

### 0 to 1 bar (0 to 14.5 psi)

Maximum permissible accidental pressure: 7 bar, destruction pressure: 7 bar

G 1/4 female DIN 3852-Y fluid connection

Analogue output type	Solid-state output type	Reference	Weight kg
4...20 mA	–	XMLR001G0T25	0.190
0...10 V	–	XMLR001G0T75	0.190
4...20 mA	1 x PNP	XMLR001G1P25	0.190
4...20 mA	1 x NPN	XMLR001G1N25	0.190
0...10 V	1 x PNP	XMLR001G1P75	0.190
0...10 V	1 x NPN	XMLR001G1N75	0.190
–	2 x PNP	XMLR001G2P05	0.190
–	2 x NPN	XMLR001G2N05	0.190

### 1/4"-18NPT female fluid connection

4...20 mA	–	XMLR001G0T26	0.212
0...10 V	–	XMLR001G0T76	0.212
4...20 mA	1 x PNP	XMLR001G1P26	0.212
4...20 mA	1 x NPN	XMLR001G1N26	0.212
–	2 x PNP	XMLR001G2P06	0.212
–	2 x NPN	XMLR001G2N06	0.212

### 0 to 2.5 bar (0 to 36.2 psi)

Maximum permissible accidental pressure: 12 bar, destruction pressure: 12 bar

G 1/4 female DIN 3852-Y fluid connection

Analogue output type	Solid-state output type	Reference	Weight kg
4...20 mA	–	XMLR2D5G0T25	0.190
0...10 V	–	XMLR2D5G0T75	0.190
4...20 mA	1 x PNP	XMLR2D5G1P25	0.190
4...20 mA	1 x NPN	XMLR2D5G1N25	0.190
0...10 V	1 x PNP	XMLR2D5G1P75	0.190
0...10 V	1 x NPN	XMLR2D5G1N75	0.190
–	2 x PNP	XMLR2D5G2P05	0.190
–	2 x NPN	XMLR2D5G2N05	0.190

### 1/4"-18NPT female fluid connection

4...20 mA	1 x PNP	XMLR2D5G1P26	0.212
4...20 mA	1 x NPN	XMLR2D5G1N26	0.212
–	2 x PNP	XMLR2D5G2P06	0.212
–	2 x NPN	XMLR2D5G2N06	0.212

# Electronic pressure sensors

## OsiSense XM

Pressure sensors with 4-digit display, type XMLR  
Compact plastic body, stainless steel 316L fluid entry  
With analogue and solid-state outputs



XMLR●●●G●●●5



XMLR●●●G●●●6  
XMLR●●●G●●●9

0 to 10 bar (0 to 145 psi)			
Maximum permissible accidental pressure: 40 bar, destruction pressure: 40 bar			
G 1/4 female DIN 3852-Y fluid connection			
Analogue output type	Solid-state output type	Reference	Weight kg
4...20 mA	–	XMLR010G0T25	0.190
0...10 V	–	XMLR010G0T75	0.190
4...20 mA	1 x PNP	XMLR010G1P25	0.190
4...20 mA	1 x NPN	XMLR010G1N25	0.190
0...10 V	1 x PNP	XMLR010G1P75	0.190
0...10 V	1 x NPN	XMLR010G1N75	0.190
–	2 x PNP	XMLR010G2P05	0.190
–	2 x NPN	XMLR010G2N05	0.190
4...20 mA	2 x PNP	XMLR010G2P25	0.190
4...20 mA	2 x NPN	XMLR010G2N25	0.190
1/4" -18NPT female fluid connection			
4...20 mA	–	XMLR010G0T26	0.212
0...10 V	–	XMLR010G0T76	0.212
4...20 mA	1 x PNP	XMLR010G1P26	0.212
4...20 mA	1 x NPN	XMLR010G1N26	0.212
0...10 V	1 x PNP	XMLR010G1P76	0.212
0...10 V	1 x NPN	XMLR010G1N76	0.212
–	2 x PNP	XMLR010G2P06	0.212
–	2 x NPN	XMLR010G2N06	0.212
4...20 mA	2 x PNP	XMLR010G2P26	0.212
4...20 mA	2 x NPN	XMLR010G2N26	0.212
SAE 7/16-20UNF-2B female fluid connection			
–	2 x PNP	XMLR010G2P09	0.210
–	2 x NPN	XMLR010G2N09	0.210
0 to 16 bar (0 to 232 psi)			
Maximum permissible accidental pressure: 62 bar, destruction pressure: 62 bar			
G 1/4 female DIN 3852-Y fluid connection			
Analogue output type	Solid-state output type	Reference	Weight kg
4...20 mA	–	XMLR016G0T25	0.190
0...10 V	–	XMLR016G0T75	0.190
4...20 mA	1 x PNP	XMLR016G1P25	0.190
4...20 mA	1 x NPN	XMLR016G1N25	0.190
0...10 V	1 x PNP	XMLR016G1P75	0.190
–	2 x PNP	XMLR016G2P05	0.190
1/4" -18NPT female fluid connection			
4...20 mA	–	XMLR016G0T26	0.212
4...20 mA	1 x PNP	XMLR016G1P26	0.212
4...20 mA	1 x NPN	XMLR016G1N26	0.212
–	2 x PNP	XMLR016G2P06	0.212
–	2 x NPN	XMLR016G2N06	0.212
0 to 25 bar (0 to 362 psi)			
Maximum permissible accidental pressure: 100 bar, destruction pressure: 100 bar			
G 1/4 female DIN 3852-Y fluid connection			
Analogue output type	Solid-state output type	Reference	Weight kg
4...20 mA	–	XMLR025G0T25	0.190
0...10 V	–	XMLR025G0T75	0.190
4...20 mA	1 x PNP	XMLR025G1P25	0.190
4...20 mA	1 x NPN	XMLR025G1N25	0.190
0...10 V	1 x PNP	XMLR025G1P75	0.190
0...10 V	1 x NPN	XMLR025G1N75	0.190
–	2 x PNP	XMLR025G2P05	0.190
–	2 x NPN	XMLR025G2N05	0.190
1/4" -18NPT female fluid connection			
4...20 mA	–	XMLR025G0T26	0.212
4...20 mA	1 x PNP	XMLR025G1P26	0.212
4...20 mA	1 x NPN	XMLR025G1N26	0.212
–	2 x PNP	XMLR025G2P06	0.212
–	2 x NPN	XMLR025G2N06	0.212

# Electronic pressure sensors

## OsiSense XM

Pressure sensors with 4-digit display, type XMLR

Compact plastic body, stainless steel 316L fluid entry

With analogue and solid-state outputs



XMLR●●●G●●●5



XMLR●●●G●●●6

XMLR●●●M●●●5  
XMLR●●●M●●●6

XMLR●●●M●●●9

### 0 to 40 bar (0 to 580 psi)

Maximum permissible accidental pressure: 150 bar, destruction pressure: 150 bar

G 1/4 female DIN 3852-Y fluid connection

Analogue output type	Solid-state output type	Reference	Weight kg
4...20 mA	–	XMLR040G0T25	0.190
0...10 V	–	XMLR040G0T75	0.190
4...20 mA	1 x PNP	XMLR040G1P25	0.190
4...20 mA	1 x NPN	XMLR040G1N25	0.190
0...10 V	1 x PNP	XMLR040G1P75	0.190
0...10 V	1 x NPN	XMLR040G1N75	0.190
–	2 x PNP	XMLR040G2P05	0.190
–	2 x NPN	XMLR040G2N05	0.190
4...20 mA	2 x PNP	XMLR040G2P25	0.190
4...20 mA	2 x NPN	XMLR040G2N25	0.190

1/4"-18NPT female fluid connection

4...20 mA	–	XMLR040G0T26	0.212
4...20 mA	1 x PNP	XMLR040G1P26	0.212
4...20 mA	1 x NPN	XMLR040G1N26	0.212
–	2 x PNP	XMLR040G2P06	0.212
–	2 x NPN	XMLR040G2N06	0.212

### 0 to 100 bar (0 to 1450 psi)

Maximum permissible accidental pressure: 300 bar, destruction pressure: 600 bar

G 1/4 female DIN 3852-Y fluid connection

Analogue output type	Solid-state output type	Reference	Weight kg
4...20 mA	–	XMLR100M0T25	0.186
0...10 V	–	XMLR100M0T75	0.186
4...20 mA	1 x PNP	XMLR100M1P25	0.186
4...20 mA	1 x NPN	XMLR100M1N25	0.186
0...10 V	1 x PNP	XMLR100M1P75	0.186
0...10 V	1 x NPN	XMLR100M1N75	0.186
–	2 x PNP	XMLR100M2P05	0.186
–	2 x NPN	XMLR100M2N05	0.186

1/4"-18NPT female fluid connection

4...20 mA	–	XMLR100M0T26	0.186
4...20 mA	1 x PNP	XMLR100M1P26	0.186
4...20 mA	1 x NPN	XMLR100M1N26	0.186
–	2 x PNP	XMLR100M2P06	0.186
–	2 x NPN	XMLR100M2N06	0.186

### 0 to 160 bar (0 to 2320 psi)

Maximum permissible accidental pressure: 480 bar, destruction pressure: 960 bar

G 1/4 female DIN 3852-Y fluid connection

Analogue output type	Solid-state output type	Reference	Weight kg
4...20 mA	–	XMLR160M0T25	0.186
0...10 V	–	XMLR160M0T75	0.186
4...20 mA	1 x PNP	XMLR160M1P25	0.186
4...20 mA	1 x NPN	XMLR160M1N25	0.186
0...10 V	1 x PNP	XMLR160M1P75	0.186
0...10 V	1 x NPN	XMLR160M1N75	0.186
–	2 x PNP	XMLR160M2P05	0.186
–	2 x NPN	XMLR160M2N05	0.186

SAE 7/16-20UNF-2B female fluid connection

–	2 x PNP	XMLR160M2P09	0.212
–	2 x NPN	XMLR160M2N09	0.212

# Electronic pressure sensors

## OsiSense XM

Pressure sensors with 4-digit display, type XMLR  
Compact plastic body, stainless steel 316L fluid entry  
With analogue and solid-state outputs



XMLR●●●M●●●5  
XMLR●●●M●●●6



XMLR●●●M●●●9

0 to 250 bar (0 to 3625 psi)			
Maximum permissible accidental pressure: 750 bar, destruction pressure: 1500 bar			
G 1/4 female DIN 3852-Y fluid connection			
Analogue output type	Solid-state output type	Reference	Weight kg
4...20 mA	–	XMLR250M0T25	0.186
0...10 V	–	XMLR250M0T75	0.186
4...20 mA	1 x PNP	XMLR250M1P25	0.186
4...20 mA	1 x NPN	XMLR250M1N25	0.186
0...10 V	1 x PNP	XMLR250M1P75	0.186
0...10 V	1 x NPN	XMLR250M1N75	0.186
–	2 x PNP	XMLR250M2P05	0.186
–	2 x NPN	XMLR250M2N05	0.186
4...20 mA	2 x PNP	XMLR250M2P25	0.186
4...20 mA	2 x NPN	XMLR250M2N25	0.186
1/4"-18NPT female fluid connection			
4...20 mA	–	XMLR250M0T26	0.186
4...20 mA	1 x PNP	XMLR250M1P26	0.186
4...20 mA	1 x NPN	XMLR250M1N26	0.186
0...10 V	1 x PNP	XMLR250M1P76	0.186
–	2 x PNP	XMLR250M2P06	0.186
–	2 x NPN	XMLR250M2N06	0.186
SAE 7/16-20UNF-2B female fluid connection			
–	2 x PNP	XMLR250M2P09	0.212
–	2 x NPN	XMLR250M2N09	0.212
0 to 400 bar (0 to 5800 psi)			
Maximum permissible accidental pressure: 1200 bar, destruction pressure: 2400 bar			
G 1/4 female DIN 3852-Y fluid connection			
Analogue output type	Solid-state output type	Reference	Weight kg
4...20 mA	–	XMLR400M0T25	0.186
0...10 V	–	XMLR400M0T75	0.186
4...20 mA	1 x PNP	XMLR400M1P25	0.186
4...20 mA	1 x NPN	XMLR400M1N25	0.186
0...10 V	1 x PNP	XMLR400M1P75	0.186
0...10 V	1 x NPN	XMLR400M1N75	0.186
–	2 x PNP	XMLR400M2P05	0.186
–	2 x NPN	XMLR400M2N05	0.186
4...20 mA	2 x PNP	XMLR400M2P25	0.186
4...20 mA	2 x NPN	XMLR400M2N25	0.186
1/4"-18NPT female fluid connection			
4...20 mA	–	XMLR400M0T26	0.186
4...20 mA	1 x PNP	XMLR400M1P26	0.186
4...20 mA	1 x NPN	XMLR400M1N26	0.186
–	2 x PNP	XMLR400M2P06	0.186
–	2 x NPN	XMLR400M2N06	0.186
0 to 600 bar (0 to 8700 psi)			
Maximum permissible accidental pressure: 1500 bar, destruction pressure: 2500 bar			
G 1/4 female fluid connection			
Analogue output type	Solid-state output type	Reference	Weight kg
4...20 mA	–	XMLR600M0T25	0.186
0...10 V	–	XMLR600M0T75	0.186
4...20 mA	1 x PNP	XMLR600M1P25	0.186
0...10 V	1 x PNP	XMLR600M1P75	0.186
–	2 x PNP	XMLR600M2P05	0.186

# Electronic pressure sensors

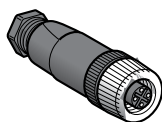
## OsiSense XM

Pressure sensors with 4-digit display, type XMLR

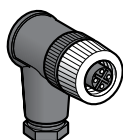
Accessories



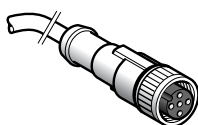
XMLZL009



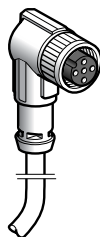
XZCC12FDM00B



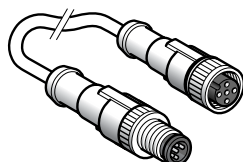
XZCC12FCM00B



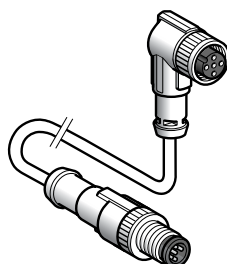
XZCP1141L



XZCP1241L



XZCR15110



XZCR15120

### Accessories

Description	For use with	Reference	Weight kg
Cooler with G 1/4 A (male) fluid connections Usage temperature: 150 °C for the fluid, 50 °C for the ambient air	XMLR.....5	XMLZL009	0.370

### Connectors

Description	For use with	Type	Reference	Weight kg
M12 female connector, 4-pin Metal clamping ring	XMLR.....0T●● XMLR.....1P●● XMLR.....1N●● XMLR.....2P0● XMLR.....2N0●	Straight	XZCC12FDM40B	0.020
		Elbowed	XZCC12FCM40B	0.020
M12 female connector, 5-pin Metal clamping ring	XMLR.....2P2● XMLR.....2N2●	Straight	XZCC12FDM50B	0.020
		Elbowed	XZCC12FCM50B	0.020

### Pre-wired connectors and jumper cables (PUR cable)

Description	For use with	Type	Length of cable	Reference	Weight		
			m		kg		
Pre-wired M12 female connectors, 4-pin Metal clamping ring	XMLR.....0T●● XMLR.....1●●● XMLR.....2P0● XMLR.....2N0●	Straight	2	XZCP1141L2	0.090		
			5	XZCP1141L5	0.190		
			10	XZCP1141L10	0.370		
		Elbowed	2	XZCP1241L2	0.090		
			5	XZCP1241L5	0.190		
			10	XZCP1241L10	0.370		
M12-M12 4-pin jumper cables	XMLR.....0T●● XMLR.....1●●● XMLR.....2P0● XMLR.....2N0●	Straight female connector	1	XZCR1511041C1	0.100		
			2	XZCR1511041C2	0.100		
		Elbowed female connector	1	XZCR1512041C1	0.100		
			2	XZCR1512041C2	0.100		
		M12-M12 5-pin jumper cables	XMLR.....2P2● XMLR.....2N2●	Straight female connector	1	XZCR1511064D1	0.100
					2	XZCR1511064D2	0.100
		Elbowed female connector	1	XZCR1512064D1	0.100		
			2	XZCR1512064D2	0.100		



<b>X</b>							
XMLEZ010	9	XMLP016BC27	3	XMLP060BD11V	5	XMLR010G2P26	16
XMLEZ025	9	XMLP016BC29	3	XMLP060BD17	5	XMLR016G0T25	16
XMLEZ060	9	XMLP016BC71V	3	XMLP060BD19	5	XMLR016G0T26	16
XMLEZ100	9	XMLP016BC77	3	XMLP060BD21V	5	XMLR016G0T75	16
XMLEZ250	9	XMLP016BC79	3	XMLP060BD27	5	XMLR016G1N25	16
XMLEZ600	9	XMLP016BD11V	3	XMLP060BD29	5	XMLR016G1N26	16
XMLP1K0PD13	8	XMLP016BD17	3	XMLP060BD71V	5	XMLR016G1P25	16
XMLP1K0PD23	8	XMLP016BD19	3	XMLP060BD77	5	XMLR016G1P26	16
XMLP1K0PD73	8	XMLP016BD21V	3	XMLP060BD79	5	XMLR016G1P75	16
XMLP1K0PP13	8	XMLP016BD27	3	XMLP100BC12	5	XMLR016G2N06	16
XMLP1K0PP23	8	XMLP016BD29	3	XMLP100BC22	5	XMLR016G2P05	16
XMLP1K0PP73	8	XMLP016BD71V	3	XMLP100BC72	5	XMLR016G2P06	16
XMLP2K0PD13	8	XMLP016BD77	3	XMLP100BD12	5	XMLR025G0T25	16
XMLP2K0PD23	8	XMLP016BD79	3	XMLP100BD22	5	XMLR025G0T26	16
XMLP2K0PD73	8	XMLP025BC11V	4	XMLP100BD72	5	XMLR025G0T75	16
XMLP2K0PP13	8	XMLP025BC17	4	XMLP100PD13	7	XMLR025G1N25	16
XMLP2K0PP23	8	XMLP025BC19	4	XMLP100PD23	7	XMLR025G1N26	16
XMLP2K0PP73	8	XMLP025BC21V	4	XMLP100PD73	7	XMLR025G1N75	16
XMLP3K0PD13	8	XMLP025BC27	4	XMLP100PP13	7	XMLR025G1P25	16
XMLP3K0PD23	8	XMLP025BC29	4	XMLP100PP23	7	XMLR025G1P26	16
XMLP3K0PD73	8	XMLP025BC71V	4	XMLP100PP73	7	XMLR025G1P75	16
XMLP3K0PP13	8	XMLP025BC77	4	XMLP150PD13	7	XMLR025G2N05	16
XMLP3K0PP23	8	XMLP025BC79	4	XMLP150PD23	7	XMLR025G2N06	16
XMLP3K0PP73	8	XMLP025BD11V	4	XMLP150PD73	7	XMLR025G2P05	16
XMLP6K0PD13	8	XMLP025BD17	4	XMLP150PP13	7	XMLR025G2P06	16
XMLP6K0PD23	8	XMLP025BD19	4	XMLP150PP23	7	XMLR040G0T25	17
XMLP6K0PD73	8	XMLP025BD21V	4	XMLP150PP73	7	XMLR040G0T26	17
XMLP6K0PP13	8	XMLP025BD27	4	XMLP160BC12	6	XMLR040G0T75	17
XMLP6K0PP23	8	XMLP025BD29	4	XMLP160BC22	6	XMLR040G1N25	17
XMLP6K0PP73	8	XMLP025BD71V	4	XMLP160BC72	6	XMLR040G1N26	17
XMLP010BC11V	3	XMLP025BD77	4	XMLP160BD12	6	XMLR040G1N75	17
XMLP010BC17	3	XMLP025BD79	4	XMLP160BD22	6	XMLR040G1P25	17
XMLP010BC19	3	XMLP040BC11V	4	XMLP160BD72	6	XMLR040G1P26	17
XMLP010BC21V	3	XMLP040BC17	4	XMLP200PD13	7	XMLR040G1P75	17
XMLP010BC27	3	XMLP040BC19	4	XMLP200PD23	7	XMLR040G2N05	17
XMLP010BC29	3	XMLP040BC21V	4	XMLP200PD73	7	XMLR040G2N06	17
XMLP010BC71V	3	XMLP040BC27	4	XMLP200PP13	7	XMLR040G2N25	17
XMLP010BC77	3	XMLP040BC29	4	XMLP200PP23	7	XMLR040G2P05	17
XMLP010BC79	3	XMLP040BC71V	4	XMLP200PP73	7	XMLR040G2P06	17
XMLP010BD11V	3	XMLP040BC77	4	XMLP250BC12	6	XMLR010G0T26	16
XMLP010BD17	3	XMLP040BC79	4	XMLP250BC22	6	XMLR010G0T75	16
XMLP010BD19	3	XMLP040BD11V	4	XMLP250BC72	6	XMLR010G0T76	16
XMLP010BD21V	3	XMLP040BD17	4	XMLP250BD12	6	XMLR010G1N25	16
XMLP010BD27	3	XMLP040BD19	4	XMLP250BD22	6	XMLR010G1N26	16
XMLP010BD29	3	XMLP040BD21V	4	XMLP250BD72	6	XMLR010G1N75	16
XMLP010BD71V	3	XMLP040BD27	4	XMLP300PD13	7	XMLR010G1N76	16
XMLP010BD77	3	XMLP040BD29	4	XMLP300PD23	7	XMLR010G1P25	16
XMLP010BD79	3	XMLP040BD71V	4	XMLP300PD73	7	XMLR010G1P26	16
XMLP10KPD13	8	XMLP040BD77	4	XMLP300PP13	7	XMLR010G1P75	16
XMLP10KPD23	8	XMLP040BD79	4	XMLP300PP23	7	XMLR010G1P76	16
XMLP10KPD73	8	XMLP060BC11V	5	XMLP300PP73	7	XMLR010G2N05	16
XMLP10KPP13	8	XMLP060BC17	5	XMLP400BC12	6	XMLR010G2N06	16
XMLP10KPP23	8	XMLP060BC19	5	XMLP400BC22	6	XMLR010G2N09	16
XMLP10KPP73	8	XMLP060BC21V	5	XMLP400BC72	6	XMLR010G2N25	16
XMLP016BC11V	3	XMLP060BC27	5	XMLP400BD12	6	XMLR010G2N26	16
XMLP016BC17	3	XMLP060BC29	5	XMLP400BD22	6	XMLR010G2P05	16
XMLP016BC19	3	XMLP060BC71V	5	XMLP400BD72	6	XMLR010G2P06	16
XMLP016BC21V	3	XMLP060BC77	5	XMLP600BC12	6	XMLR010G2P09	16
		XMLP060BC79	5	XMLP600BC22	6	XMLR010G2P25	16

XMLR160M2N05	17	XMLZL009	19
XMLR160M2N09	17	XZCC12FCM40B	9
XMLR160M2P05	17	XZCC12FCM40B	11
XMLR160M2P09	17	XZCC12FCM40B	19
XMLR250M0T25	18	XZCC12FCM50B	19
XMLR250M0T26	18	XZCC12FDM40B	9
XMLR250M0T75	18	XZCC12FDM40B	11
XMLR250M1N25	18	XZCC12FDM40B	19
XMLR250M1N26	18	XZCC12FDM50B	19
XMLR250M1N75	18	XZCC12MCM40B	11
XMLR250M1P25	18	XZCC12MDM40B	11
XMLR250M1P26	18	XZCC43FCP40B	9
XMLR250M1P75	18	XZCP1141L2	9
XMLR250M1P76	18		11
			19
XMLR250M2N05	18	XZCP1141L5	9
XMLR250M2N06	18		11
			19
XMLR250M2N09	18	XZCP1141L10	9
XMLR250M2N25	18		11
XMLR250M2P05	18		19
XMLR250M2P06	18	XZCP1141L15	11
XMLR250M2P09	18	XZCP1141L20	11
XMLR250M2P25	18	XZCP1241L2	9
XMLR400M0T25	18		11
XMLR400M0T26	18		19
XMLR400M0T75	18	XZCP1241L5	9
			11
			19
XMLR400M1N25	18	XZCP1241L10	9
XMLR400M1N26	18		11
XMLR400M1N75	18		19
XMLR400M1P25	18	XZCP1241L15	11
XMLR400M1P26	18	XZCP1241L20	11
XMLR400M1P75	18	XZCPV1141L2	9
XMLR400M2N05	18	XZCPV1141L5	9
XMLR400M2N06	18	XZCPV1141L10	9
XMLR400M2N25	18	XZCPV1241L2	9
XMLR400M2P05	18	XZCPV1241L5	9
XMLR400M2P06	18	XZCPV1241L10	9
XMLR400M2P25	18	XZCR1511040A1	11
XMLR600M0T25	18	XZCR1511040A2	11
XMLR600M0T75	18	XZCR1511041C1	19
XMLR600M1P25	18	XZCR1511041C2	19
XMLR600M1P75	18	XZCR1511064D1	19
XMLR600M2P05	18	XZCR1511064D2	19
XMLRM01G0T25	15	XZCR1512040A1	11
XMLRM01G0T26	15	XZCR1512040A2	11
XMLRM01G0T75	15	XZCR1512041C1	19
XMLRM01G1N25	15	XZCR1512041C2	19
XMLRM01G1N26	15	XZCR1512064D1	19
XMLRM01G1N75	15	XZCR1512064D2	19
XMLRM01G1P25	15		
XMLRM01G1P26	15	<b>Z</b>	
XMLRM01G1P75	15	ZMLPA1N2SH	11
XMLRM01G2N05	15	ZMLPA1N2SW	11
XMLRM01G2N06	15	ZMLPA1P2SH	11
XMLRM01G2N25	15	ZMLPA1P2SW	11
XMLRM01G2N26	15	ZMLPA2N0SH	11
XMLRM01G2P05	15	ZMLPA2P0SH	11
XMLRM01G2P06	15		
XMLRM01G2P25	15		
XMLRM01G2P26	15		

**Schneider Electric Industries SAS**

Head Office  
35, rue Joseph Monier  
F-92500 Rueil-Malmaison  
France

[www.tesensors.com](http://www.tesensors.com)

The information provided in this documentation contains general descriptions and/or technical characteristics of the performance of the products contained herein. This documentation is not intended as a substitute for and is not to be used for determining suitability or reliability of these products for specific user applications. It is the duty of any such user or integrator to perform the appropriate and complete risk analysis, evaluation and testing of the products with respect to the relevant specific application or use thereof. Neither Schneider Electric nor any of its affiliates or subsidiaries shall be responsible or liable for misuse of the information contained herein.

Design: Schneider Electric  
Photos: Schneider Electric

## X-ON Electronics

Largest Supplier of Electrical and Electronic Components

*Click to view similar products for [schneider](#) manufacturer:*

Other Similar products are found below :

[LU9M1](#) [7D](#) [7S](#) [7XA1](#) [FNQR2](#) [8501RS44V24](#) [8501RSD14P14V51](#) [8501XO20V03Y414](#) [9001KXRK](#) [9001SKR9P35RH25](#) [9001SKT35L31](#)  
[9003K2C003GA](#) [9007AA1](#) [9007BA1](#) [9007C54D](#) [9007C62A2](#) [9007CA11](#) [9007FA3](#) [9007HA4](#) [9007HA6](#) [9007KA1](#) [9007KB11](#)  
[9007MS01S0206](#) [9007MS02S0300](#) [9012GAR4](#) [9012GAW2](#) [9012GBW1](#) [9012GDW5E3](#) [9012GFW1](#) [9012GNG1](#) [9012GNG3](#) [9012GNG6](#)  
[9013FHG39J69](#) [9013GHG2J30](#) [9050JCK2F30V14](#) [GV2ME04](#) [GV2ME10](#) [GV2ME14](#) [GV2ME20](#) [GV2ME32](#) [GV2P06](#) [GV2P08](#) [GV2P10](#)  
[GV2P16](#) [GV2P20](#) [GV2P21](#) [GV2RT07](#) [GV2RT21](#) [GVAD1001](#) [GVAN11](#)