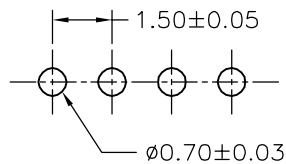
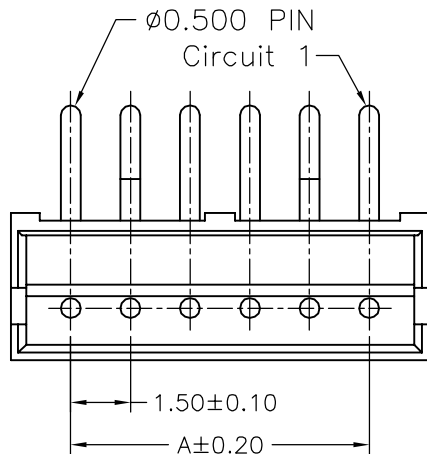


SPECIFICATIONS

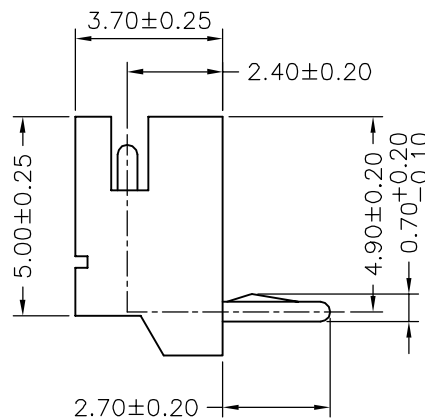
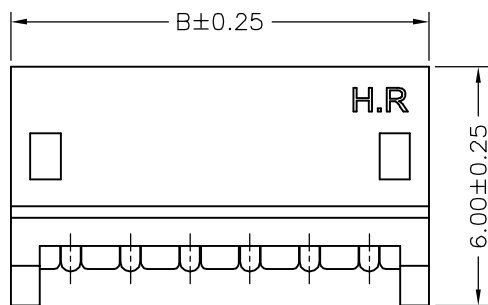
Current Rating: 1A AC,DC
 Voltage Rating: 100V AC,DC
 Temperature Range: -25°C ~ +85°C
 Contact Resistance: 20mΩ Max.
 Insulation Resistance: 500MΩ Min.
 Withstanding Voltage: 500V AC/minute
 Pin Material: Brass/Tin-plated
 Material: Nylon 66,UL94V-0
 Pantone Color: 7528C


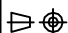
Ordering Information & Dimensions

| PART NO. | Dimensions | |
|-------------|------------|-------|
| | A | B |
| A1500WR-02P | 1.50 | 4.50 |
| A1500WR-03P | 3.00 | 6.00 |
| A1500WR-04P | 4.50 | 7.50 |
| A1500WR-05P | 6.00 | 9.00 |
| A1500WR-06P | 7.50 | 10.50 |
| A1500WR-07P | 9.00 | 12.00 |
| A1500WR-08P | 10.50 | 13.50 |
| A1500WR-09P | 12.00 | 15.00 |
| A1500WR-10P | 13.50 | 16.50 |
| A1500WR-11P | 15.00 | 18.00 |
| A1500WR-12P | 16.50 | 19.50 |
| A1500WR-13P | 18.00 | 21.00 |



P.C.B. LAYOUT



| | | | | | | | |
|------|-------------|------------|---|---|--|---------------------------|---------|
| | | |  | | JOINT TECH ELECTRONIC IND. CO., LTD. JOY DAY INDUSTRIAL CO., LTD. | | |
| | | | UNIT | SCALE | SHEET | TITLE: | |
| | | | mm | | 1 of 1 | 1.50mm PITCH 90° WAFER | |
| | | | DRAWN BY | APPROVED BY | | | |
| | | | 董正一 | 董正一 | | | |
| | | | 2001.02.01 | 2001.02.01 | | | |
| B2 | REVISE | 2008.01.09 | GENERAL TOLERANCE | | | | |
| B1 | REVISE | 2006.11.29 | X. X±0.25 | ANGLE± | | | |
| B0 | NEW RELEASE | 2006.07.07 | X. XX±0.15 | | | | |
| REV. | DESCRIPTION | DATE | X. XXX±0.05 |  | | | |
| | | | | | | DRAW NO.: | REV. B2 |
| | | | | | | A1500WR-XP | |

X-ON Electronics

Largest Supplier of Electrical and Electronic Components

Click to view similar products for [I/O Connectors](#) category:

Click to view products by [Joint manufacturer](#):

Other Similar products are found below :

[571763P](#) [58098-0628](#) [61-168618-12P](#) [D38999/20FJ29SB L/C](#) [72.250.1628.2](#) [72.250.2428.2](#) [74720-0505](#) [747680210](#) [76.350.0729.0](#) [76871-1403](#) [FCN-244F080-G/1](#) [FCN-260A9920](#) [FCN-268D024-G/2F#10X-R10](#) [MP-5T180MUNNA-005](#) [MP-5XRJ45UNNB-003](#) [PCS-E50FA](#) [PCS-XE26LKA](#) [PCS-XE26MA+](#) [PCS-XES68MS+](#) [G38A71314B](#) [91-569719-35R](#) [9776-18-6](#) [DX40-50P\(55\)](#) [1571250010](#) [157-22500-3](#) [MS3471L14-19P L/C](#) [171224-6031](#) [1888020-8](#) [91-569786-35H](#) [91-569786-35M](#) [91-644626-35P](#) [172501-4002](#) [172501-6002](#) [FCN-260C008-A/L0](#) [FCN-260C024-AL0](#) [FCN-261Z008](#) [FCN-268D008-G/1K](#) [2000314-1](#) [200331-1](#) [2007498-2](#) [PCR-E28LMDAG1+](#) [PCR-E36FC+](#) [PCS-E28FS+](#) [PCS-XE26SLFD+](#) [PCS-XE26SLFDT+](#) [G38A71214B](#) [HDRA-E68W1LFDTC-SL+](#) [HDR-E14MSG1+](#) [R88A-CNK81S](#) [CRT1-ATT02](#)