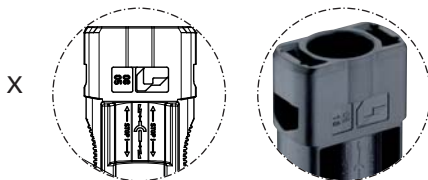
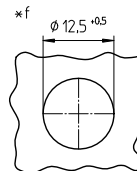
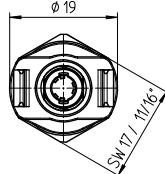
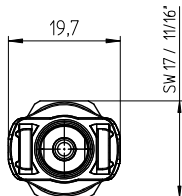
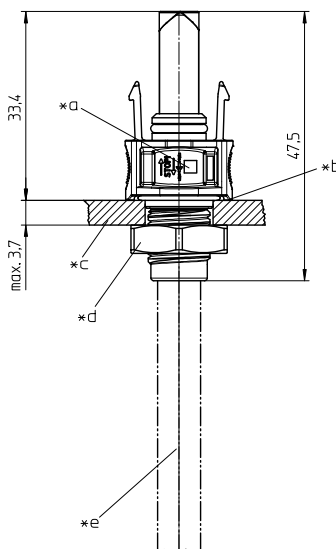
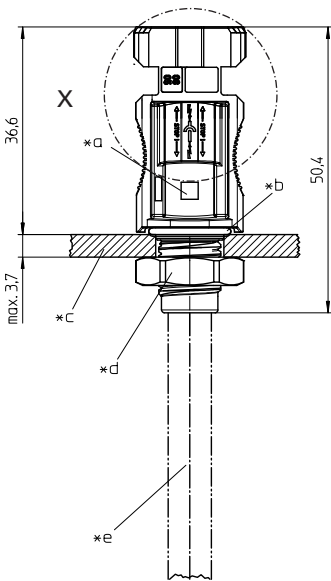




LC4-CP 10



LC4-CP 11



LC4-CP 10 IT

- *a marking + on LC4-CP 1...-1, - on LC4-CP 1...-2
- *b sealing
- *c chassis panel
- *d nut enclosed separately
- *e cable with mounted contact to be inserted into the housing after crimping process*
- *f port

Standard packaging: individual parts in bulk, sorted in plastic bags of 100 pieces, in a cardboard box

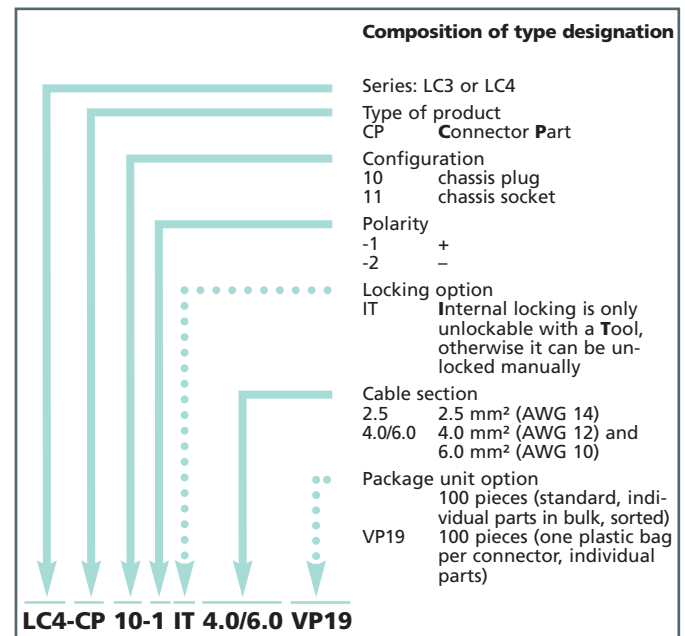
**LC4-CP 10
LC4-CP 11**

LC4® photovoltaic chassis receptacle, with integrated locking and crimp contact, for front mounting

LC4-CP 10: plug

LC4-CP 11: socket

- 1. Temperature range**
 - 40 °C/+85 °C (IEC)
 - 40 °C/+90 °C (UL)
 - (+110 °C upper limit temperature)
 - 2. Materials**
 - Insulating body
 - Contact pin/bush
 - Seal
 - Hexagonal nut
 - 3. Mechanical data**
 - Insertion force¹ ≤ 20 N
 - Withdrawal force¹ ≥ 10 N
 - Retaining force of locking latches² ≥ 90 N
 - Mating cycles² 50
 - Tightening torque nut 0.8–1.1 Nm
 - Mating with photovoltaic connectors LC4
 - Protection degree³ IP 68
 - Connectable conductors crimp terminal** stranded wire, insulated⁴
 - Section LC4-CP 1... 2.5 2.5 mm² (AWG 14)
 - Section LC4-CP 1... 4.0/6.0 4.0 mm² (AWG 12), 6.0 mm² (AWG 10)
 - 4. Electrical data (at T_{amb} 20 °C)**
 - Contact resistance² ≤ 1 mΩ
 - Rated current (IEC)²
 - LC4-CP 1... 2.5 22 A at T_{amb} 85 °C
 - LC4-CP 1... 4.0/6.0 30 A at T_{amb} 85 °C
 - Rated current (UL)² 35 A at T_{amb} 20 °C, both
 - Rated voltage⁵ 1000 V DC (IEC)/600 V DC (UL)
 - Overvoltage category⁵ III (8 kV)
 - Material group⁵ I (IEC)/0 (UL) (CTI ≥ 600)
 - Creepage distance/clearance between contact and touchable surface 28.3 mm
 - Insulation resistance > 10 GΩ
- ¹ measured with a polished steel gauge, nominal thickness 4.0 mm
² measured with a proper counterpart according to IEC 60529/DIN EN 60529
³ only in mated condition with a proper counterpart
⁴ IP X8 requirements under agreement between manufacturer and user wire construction preferably according to IEC 60228 class 5, otherwise crimp connection must be tested according to DIN EN 60664/IEC 60664 resp. according to ANSI/UL 746A
⁵



X-ON Electronics

Largest Supplier of Electrical and Electronic Components

Click to view similar products for [lumberg](#) manufacturer:

Other Similar products are found below :

[RK20-603/5M](#) [ASBSM 10/LED 3](#) [ASBS-R 8/LED 5-4](#) [ASBSV 8 5](#) [BTOR 1 SCHWARZ](#) [18315 0976 PMC 151](#) [KRE8](#) [SBS 4/LED 3](#) [SFV 80](#) [RK30/2M](#) [RKWT 4-07/5M](#) [ASBS-R 4 5-4](#) [ASBS-R 4/LED 5-4](#) [BTO 1 SCHWARZ](#) [BTO 1 V SCHWARZ](#) [BTOR 1 WEISS](#) [KB3](#) [KRES10](#) [KRESS8](#) [KS8](#) [KRM 07](#) [0103 03](#) [WKV 81](#) [RK 30-738/20F](#) [RKMV 4-225/10 M](#) [RKT 5-644/2M](#) [RKT 4-679/5M](#) [HZ30](#) [ASBS 2](#) [M12-S2326](#) [1614 16](#) [0985 706 100/10M](#) [RST 4-RKWT 4-602/1M](#) [WKV50](#) [RST 4-633/2M](#) [RST 4-RKWT 4-602/3M](#) [RS-TU](#) [WSV 30](#) [0986](#) [EMC 102](#) [0250 03](#) [RKWT 5-612/5M](#) [0980 ESL 393-121](#) [RST 5L-RKT 5L-949/5 M](#) [ASBM 6/LED 3-344/5 M](#) [RKT 4-646/2M](#) [RKHL 8/S 5,5](#) [0985 YM57530 100/20M](#) [0985 YM57530 500/1M](#) [RST 4-RKT 4-637/2M](#) [RKT 5L-949/5 M](#) [RST 3-RKMV 3-224/2 M](#)