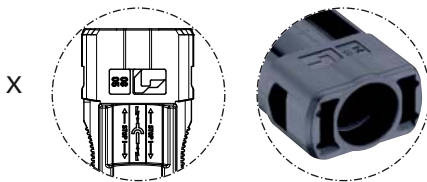
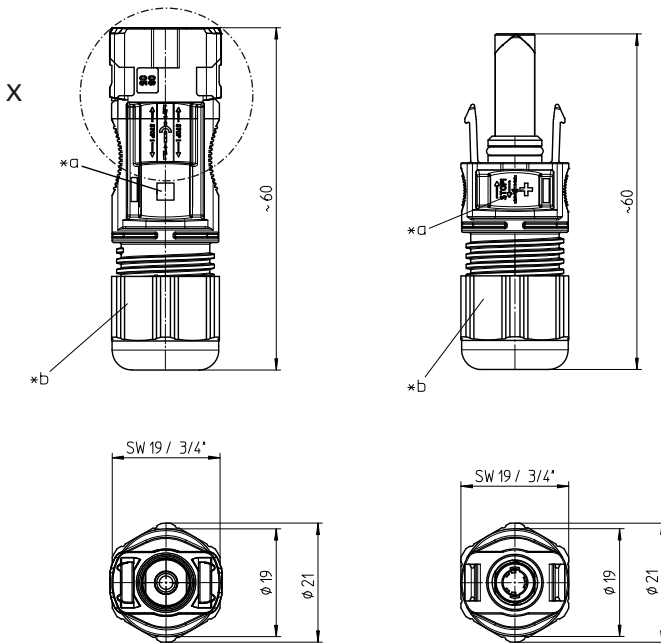




LC4-CP 30



LC4-CP 31



LC4-CP 30 IT

*a marking + on LC4-CP 3...-1, - on LC4-CP 3...-2
*b hexagonal cap nut

Standard packaging: pre-assembled, contacts in bulk,
sorted in plastic bags of 50 pieces, in a cardboard box

LC4-CP 30
LC4-CP 31

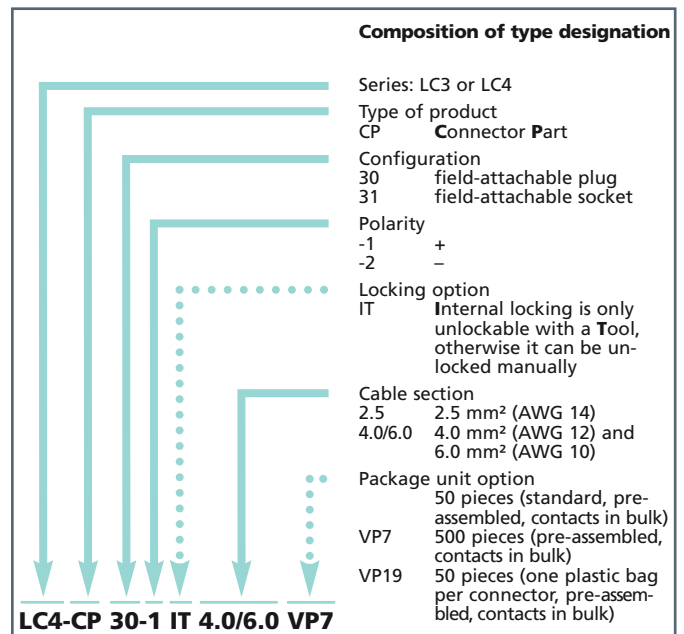
LC4® photovoltaic connector, field-attachable, with integrated locking and crimp contact

LC4-CP 30: plug

LC4-CP 31: socket

1. Temperature range	-40 °C/+85 °C (IEC) -40 °C/+90 °C (UL) (+110 °C upper limit temperature)
2. Materials	halogen-free, UV-resistant Insulating body: m-PPE, V0 according to UL 94 Contact pin/bush: CuNiSi, tinned Seal: NBR Cap nut: m-PC, V1 according to UL 94
3. Mechanical data	Insertion force ¹ : ≤ 20 N Withdrawal force ¹ : ≥ 10 N Retaining force of locking latches ² : ≥ 90 N Mating cycles ² : 50 Tightening torque cap nut: 3.5–4.5 Nm Mating with: photovoltaic connectors LC4 Protection degree ³ : IP 68 Connectable conductors crimp terminal Photovoltaic cable, double-insulated ⁴ Section LC4-CP 3... 2.5: 2.5 mm ² (AWG 14) Section LC4-CP 3... 4.0/6.0: 4.0 mm ² (AWG 12), 6.0 mm ² (AWG 10) Cable diameter: 6.3–7.8 mm Approved cables on the Internet site www.lumberg.com
4. Elektrische Daten (at T _{amb} 20 °C)	Contact resistance ² : ≤ 1 mΩ Rated current (IEC) ² LC4-CP 3... 2.5: 22 A at T _{amb} 85 °C LC4-CP 3... 4.0/6.0: 30 A at T _{amb} 85 °C Rated current (UL) ² : 35 A at T _{amb} 20 °C, both Rated voltage ⁵ : 1000 V DC (IEC)/600 V DC (UL) Overvoltage category ⁵ : III (8 kV) Material group ⁵ : I (IEC)/0 (UL) (CTI > 600) Creepage distance/Clearance ² between contact and touchable surfaces: 28.3 mm contact and cable outlet: 21.2 mm Isolationwiderstand: > 10 GΩ

¹ measured with a polished steel gauge, nominal thickness 4.0 mm
² measured with a proper counterpart according to IEC 60529/DIN EN 60529
³ only in mated condition with a proper counterpart
⁴ IP X8 requirements under agreement between manufacturer and user wire construction preferably according to IEC 60228 class 5, otherwise crimp connection must be tested
⁵ according to DIN EN 60664/IEC 60664 resp. according to ANSI/UL 746A



X-ON Electronics

Largest Supplier of Electrical and Electronic Components

Click to view similar products for [lumberg](#) manufacturer:

Other Similar products are found below :

[RK20-603/5M](#) [ASBSM 10/LED 3](#) [ASBS-R 8/LED 5-4](#) [ASBSV 8 5](#) [BTOR 1 SCHWARZ](#) [18315 0976 PMC 151](#) [KRE8](#) [SBS 4/LED 3](#) [SFV 80](#) [RK30/2M](#) [RKWT 4-07/5M](#) [ASBS-R 4 5-4](#) [ASBS-R 4/LED 5-4](#) [BTO 1 SCHWARZ](#) [BTO 1 V SCHWARZ](#) [BTOR 1 WEISS](#) [KB3](#) [KRES10](#) [KRESS8](#) [KS8](#) [KRM 07](#) [0103 03](#) [WKV 81](#) [RK 30-738/20F](#) [RKMV 4-225/10 M](#) [RKT 5-644/2M](#) [RKT 4-679/5M](#) [HZ30](#) [ASBS 2](#) [M12-S2326](#) [1614 16](#) [0985 706 100/10M](#) [RST 4-RKWT 4-602/1M](#) [WKV50](#) [RST 4-633/2M](#) [RST 4-RKWT 4-602/3M](#) [RS-TU](#) [WSV 30](#) [0986](#) [EMC 102](#) [0250 03](#) [RKWT 5-612/5M](#) [0980 ESL 393-121](#) [RST 5L-RKT 5L-949/5 M](#) [ASBM 6/LED 3-344/5 M](#) [RKT 4-646/2M](#) [RKHL 8/S 5,5](#) [0985 YM57530 100/20M](#) [0985 YM57530 500/1M](#) [RST 4-RKT 4-637/2M](#) [RKT 5L-949/5 M](#) [RST 3-RKMV 3-224/2 M](#)