

① Series No. A1500 WY-S-XP XXX  
 ② Connector type: W=Vertical  
 ③ Mounting type: S=SMT  
 ④ No. of circuits  
 ⑤ Option code:  
 D01=With Cap  
 Contacts/Gold-flash and  
 Solder tabs/Gold-flash  
 D10=Without Cap  
 Contacts/Gold-flash and  
 Solder tabs/Gold-flash

**SPECIFICATIONS**  
 Current Rating: 1A AC,DC  
 Voltage Rating: 100V AC,DC  
 Temperature Range: -25°C ~ +85°C  
 Contact Resistance: 20mΩ Max.  
 Insulation Resistance: 500MΩ Min.  
 Withstanding Voltage: 500V AC/minute  
 Pin Material: Brass  
 Solder Tabs: Brass  
 Wafer: Nylon 6T,UL94V-0  
 Cap: Nylon 6T,UL94V-0,Natural(Beige)  
 Color: Natural(Beige)

Circuit	Dimensions		
	No.	A	B
02P	1.50	6.00	3.60
03P	3.00	7.50	5.10
04P	4.50	9.00	6.60
05P	6.00	10.50	8.10
06P	7.50	12.00	9.60
07P	9.00	13.50	11.10
08P	10.50	15.00	12.60
09P	12.00	16.50	14.10
10P	13.50	18.00	15.60
11P	15.00	19.50	17.10
12P	16.50	21.00	18.60
13P	18.00	22.50	20.10

REV.	A3	EN1106240218	2011.06.24	陳敏	X.XX±0.25	ANGLE
REV.	A2	EN1102160030	2011.04.19	陳錦展	X.XX±0.15	ANGLE
DESCRIPTION						GENERAL TOLERANCE
DATE						2006.07.07
NAME						李勤
						李勤
						2006.07.07
						APPROVED BY
						1 : 1
						1 of 2
						SHEET
						SCALE
						UNIT
						mm
						TITLE:
						180° WAFER-SMT TYPE
						1.50mm PITCH
						DRAW NO.:
						A1500W-S-XP
						REV.
						A3

燦達電子工業股份有限公司  
 JOINT TECH ELECTRONIC IND. CO., LTD.



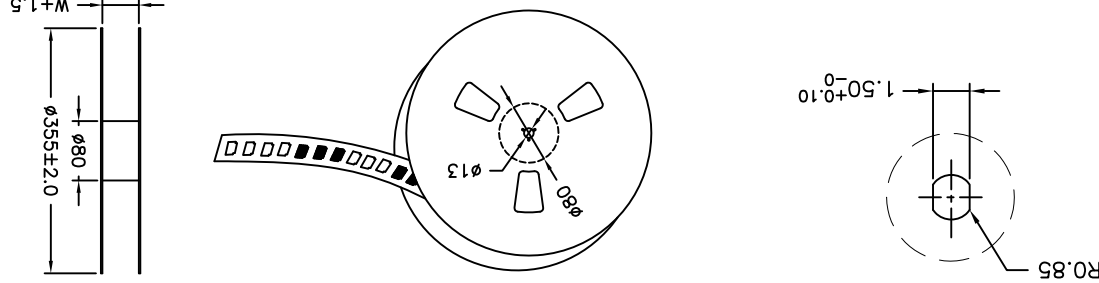
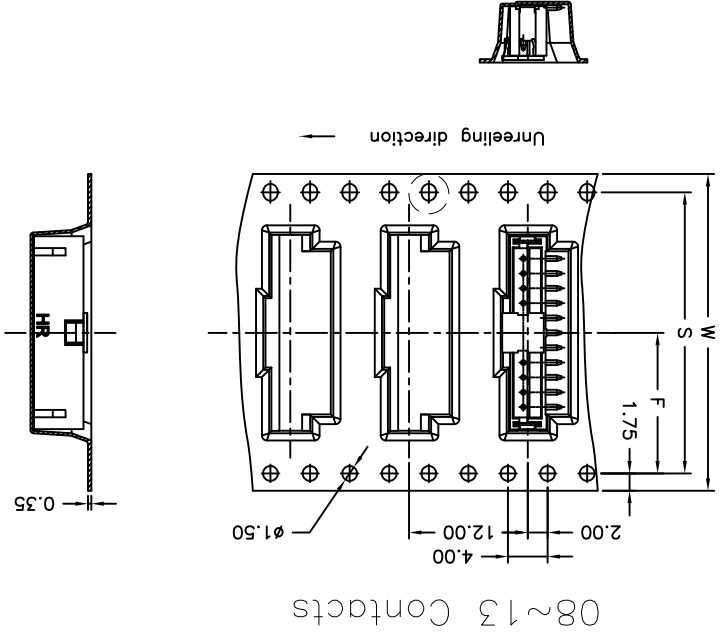
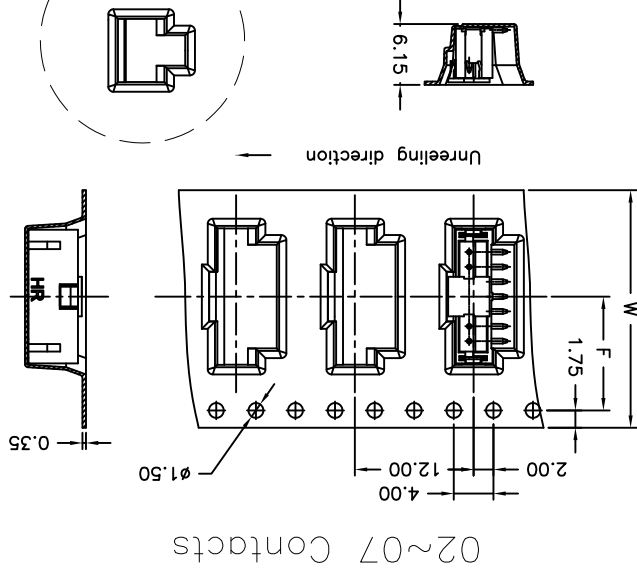
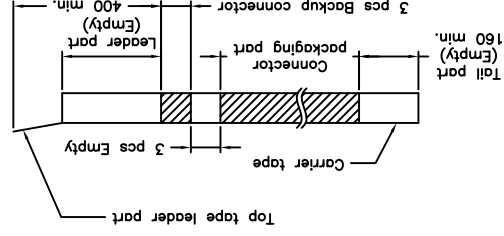
Q'ty/Reel	F±0.1	S±0.1	Number of Contacts	W±0.3
1,000	7.50	1,000	02P	16
1,000	11.50	1,000	03P	24
1,000	11.50	1,000	04P	24
1,000	11.50	1,000	05P	24
1,000	11.50	1,000	06P	24
1,000	11.50	1,000	07P	24
1,000	28.40	1,000	08P	32
1,000	28.40	1,000	09P	32
1,000	28.40	1,000	10P	32
1,000	28.40	1,000	11P	32
1,000	40.40	1,000	12P	44
1,000	40.40	1,000	13P	44

NOTE:  
Material: Transparent  
Anti-static Polystyrene.

REV.	DESCRIPTION	DATE	NAME	DATE	REV.
A3	EN1106240218	2011.06.24	陳敏	X.XX±0.25	ANGLE
A2	EN1102160030	2011.04.19	陳錦展	X.XX±0.15	ANGLE
				X.XX±0.05	ANGLE

DRAWN BY 李勤 2006.07.07	APPROVED BY 李勤 2006.07.07	UNIT mm	SCALE 1:1	SHEET 2 of 2	
TITILE: 1.50mm PITCH 180° WAFER-SMT TYPE, TAPING SPEC.		DRAWN NO. : A1500W-S-XP	JOINT TECH ELECTRONIC IND. CO., LTD. 燦達電子工業股份有限公司		



## X-ON Electronics

Largest Supplier of Electrical and Electronic Components

*Click to view similar products for [I/O Connectors](#) category:*

*Click to view products by [Joint manufacturer](#):*

Other Similar products are found below :

[571763P](#) [58098-0628](#) [61-168618-12P](#) [D38999/20FJ29SB L/C](#) [72.250.1628.2](#) [72.250.2428.2](#) [74720-0505](#) [747680210](#) [76.350.0729.0](#) [76871-1403](#) [FCN-244F080-G/1](#) [FCN-260A9920](#) [FCN-268D024-G/2F#10X-R10](#) [MP-5T180MUNNA-005](#) [MP-5XRJ45UNNB-003](#) [PCS-E50FA](#) [PCS-XE26LKA](#) [PCS-XE26MA+](#) [PCS-XES68MS+](#) [G38A71314B](#) [91-569719-35R](#) [9776-18-6](#) [DX40-50P\(55\)](#) [1571250010](#) [157-22500-3](#) [MS3471L14-19P L/C](#) [171224-6031](#) [1888020-8](#) [91-569786-35H](#) [91-569786-35M](#) [91-644626-35P](#) [172501-4002](#) [172501-6002](#) [FCN-260C008-A/L0](#) [FCN-260C024-AL0](#) [FCN-261Z008](#) [FCN-268D008-G/1K](#) [2000314-1](#) [200331-1](#) [2007498-2](#) [PCR-E28LMDAG1+](#) [PCR-E36FC+](#) [PCS-E28FS+](#) [PCS-XE26SLFD+](#) [PCS-XE26SLFDT+](#) [G38A71214B](#) [HDRA-E68W1LFDTC-SL+](#) [HDR-E14MSG1+](#) [R88A-CNK81S](#) [CRT1-ATT02](#)