

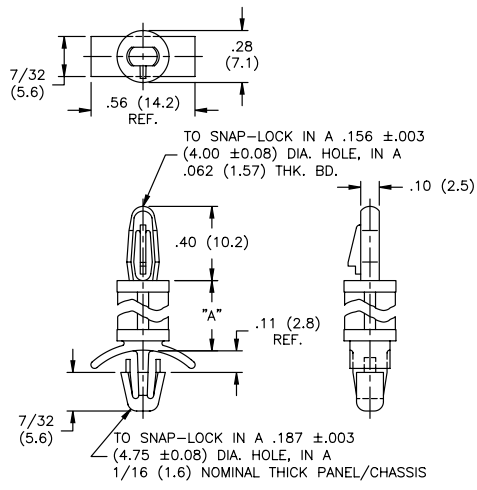
# CIRCUIT BOARD HARDWARE

A

## LCBS Series Locking Circuit Board Support



Patent Nos. 3,777,052 & 3,909,883



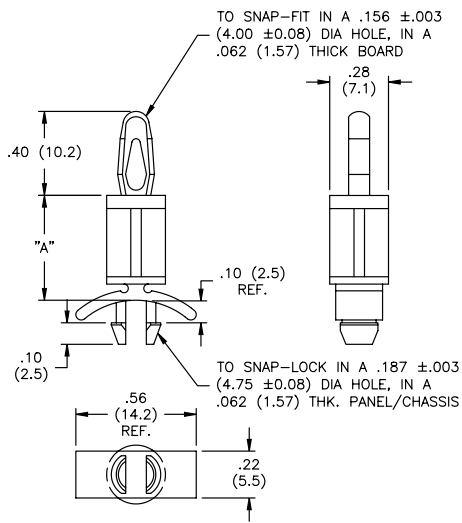
| Mat'l: Nylon 6/6, RMS-01<br>Color: Natural<br>Part Number | Mat'l: Flame Ret. Nyl. 6/6, RMS-19<br>Color: White<br>Part Number | Standard Pack:<br>1,000 per bag<br>"A" ± .015 (0.4) |
|---|---|---|
| LCBS-3-01   | LCBS-3-19   | 3/16 (4.8)  |
| LCBS-4-01   | LCBS-4-19   | 1/4 (6.4)   |
| LCBS-5-01   | LCBS-5-19   | 5/16 (7.9)  |
| LCBS-6-01   | LCBS-6-19   | 3/8 (9.5)   |
| LCBS-7-01   | LCBS-7-19   | 7/16 (11.1)   |
| LCBS-8-01   | LCBS-8-19   | 1/2 (12.7)  |
| LCBS-10-01  | LCBS-10-19  | 5/8 (15.9)  |
| LCBS-12-01  | LCBS-12-19  | 3/4 (19.1)  |
| LCBS-14-01  | LCBS-14-19  | 7/8 (22.2)  |
| LCBS-16-01  | LCBS-16-19  | 1 (25.4)  |
| LCBS-18-01  | LCBS-18-19  | 1-1/8 (28.6)  |
| LCBS-20-01  | LCBS-20-19  | 1-1/4 (31.7)  |
| LCBS-22-01  | LCBS-22-19  | 1-3/8 (34.9)  |

"Impact Modified" Nylon 6/6, RMS-73 material available by special order. To order, replace -01 with -73.

## CBS Series Circuit Board Support

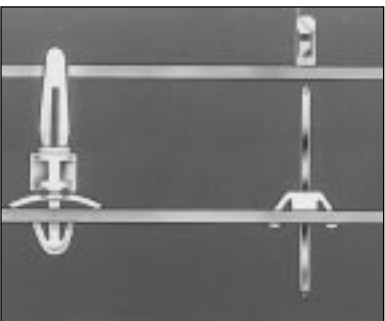


Patent Nos. 3,688,635



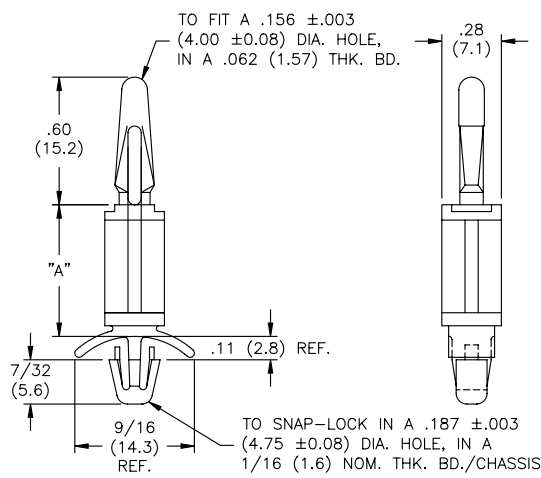
| Mat'l: Nylon 6/6, RMS-01<br>Color: Natural<br>Part Number | Mat'l: Flame Ret. Nyl. 6/6, RMS-19<br>Color: White<br>Part Number | Standard Pack:<br>1,000 per bag<br>"A" ± .015(0.4) |
|---|---|--|
| CBS-3-01  | CBS-3-19  | 3/16 (4.8)   |
| CBS-4-01  | CBS-4-19  | 1/4 (6.4)  |
| CBS-6-01  | CBS-6-19  | 3/8 (9.5)  |
| CBS-8-01  | CBS-8-19  | 1/2 (12.7)   |
| CBS-10-01   | CBS-10-19   | 5/8 (15.9)   |
| CBS-12-01   | CBS-12-19   | 3/4 (19.1)   |
| CBS-14-01   | CBS-14-19   | 7/8 (22.2)   |

## LNCBS Series Long Nose Circuit Board Support



### Highlights

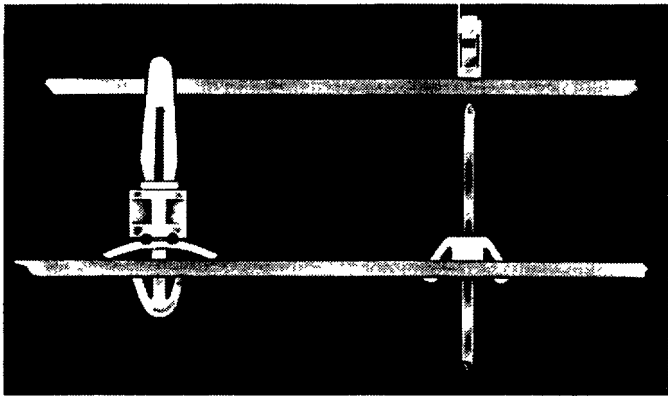
- Automatically locates and aligns connector pins with socket.



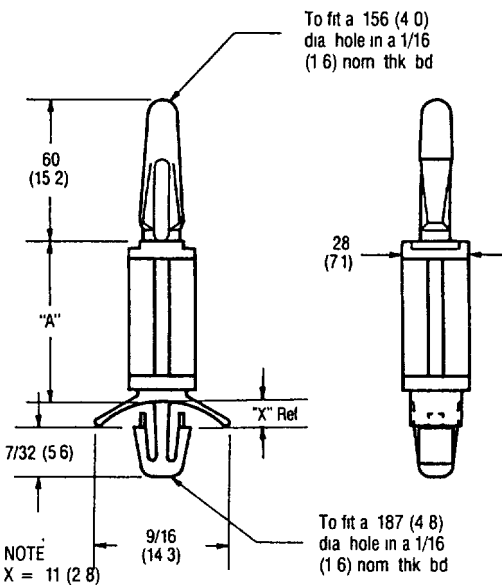
| Mat'l: Nylon 6/6, RMS-01<br>Color: Natural<br>Part Number | Mat'l: Flame Ret. Nyl. 6/6, RMS-19<br>Color: White<br>Part Number | Standard Pack:<br>1,000 per bag<br>"A" ± .015(0.4) |
|---|---|--|
| LNCBS-3-01  | LNCBS-3-19  | 3/16 (4.8)   |
| LNCBS-4-01  | LNCBS-4-19  | 1/4 (6.4)  |
| LNCBS-6-01  | LNCBS-6-19  | 3/8 (9.5)  |
| LNCBS-8-01  | LNCBS-8-19  | 1/2 (12.7)   |
| LNCBS-10-01   | LNCBS-10-19   | 5/8 (15.9)   |
| LNCBS-12-01   | LNCBS-12-19   | 3/4 (19.1)   |
| LNCBS-14-01   | LNCBS-14-19   | 7/8 (22.2)   |

147-169 to 166

## CIRCUIT BOARD HARDWARE LONG NOSE CIRCUIT BOARD SUPPORT (LNCBS)

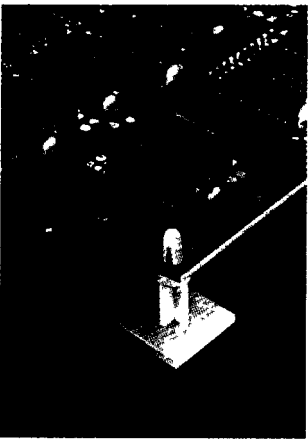


- Speeds assembly because long nose automatically locates and aligns connector pins with socket
- Installs with no tools
- Board lifts off easily to provide quick access to components
- Materials: Nylon 6/6, RMS-01, Flame Retardant Nylon, RMS-19
- Colour: Natural
- Standard Pack: 1000 per bag

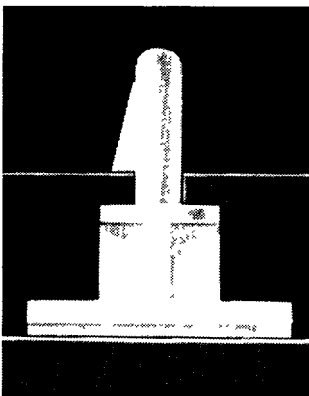


| inches (mm)     |                           |            |
|-----------------|---------------------------|------------|
| Part #<br>Nylon | Part #<br>Flame Retardant | "A"        |
| LNCBS-3-01      | LNCBS-3-19                | 3/16 (4.8) |
| LNCBS-4-01      | LNCBS-4-19                | 1/4 (6.4)  |
| LNCBS-6-01      | LNCBS-6-19                | 3/8 (9.5)  |
| LNCBS-8-01      | LNCBS-8-19                | 1/2 (12.7) |
| LNCBS-10-01     | LNCBS-10-19               | 5/8 (15.9) |
| LNCBS-12-01     | LNCBS-12-19               | 3/4 (19.1) |
| LNCBS-14-01     | LNCBS-14-19               | 7/8 (22.2) |

## CIRCUIT BOARD SUPPORTS ON BASE (CBSB/LCBSB)



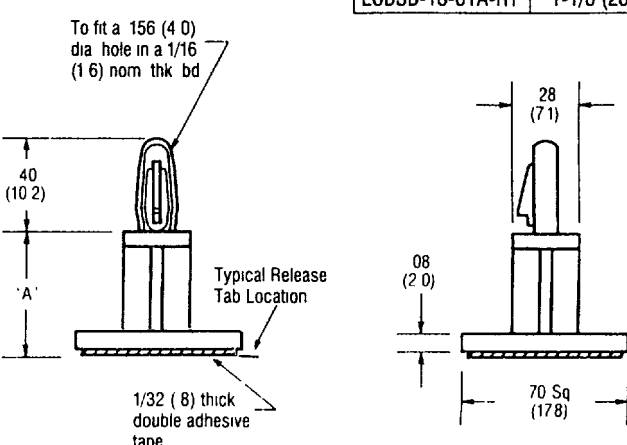
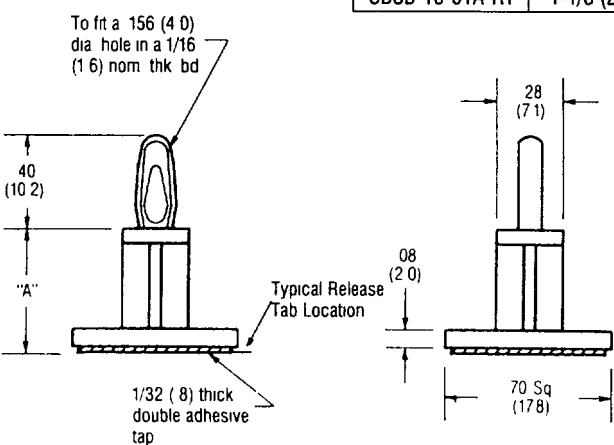
- Available without adhesive backing. For new "A" Dim., subtract 1/32" (.8 mm) from Dim. "A" and delete "A" from part number
- Adhesive, RMS-15



- Material: Nylon 6/6, RMS-01; Flame Retardant Nylon, RMS-19, available by special order
- Colour: Natural
- Standard Pack. 1000 per bag

| inches (mm)    |              |
|----------------|--------------|
| Part #         | "A"          |
| CBSB-3-01A-RT  | 3/16 (4.8)   |
| CBSB-4-01A-RT  | 1/4 (6.4)    |
| CBSB-6-01A-RT  | 3/8 (9.5)    |
| CBSB-8-01A-RT  | 1/2 (12.7)   |
| CBSB-10-01A-RT | 5/8 (15.9)   |
| CBSB-12-01A-RT | 3/4 (19.1)   |
| CBSB-14-01A-RT | 7/8 (22.2)   |
| CBSB-16-01A-RT | 1 (25.4)     |
| CBSB-18-01A-RT | 1-1/8 (28.6) |

| inches (mm)     |              |
|-----------------|--------------|
| Part #          | "A"          |
| LCBSB-3-01A-RT  | 3/16 (4.8)   |
| LCBSB-4-01A-RT  | 1/4 (6.4)    |
| LCBSB-6-01A-RT  | 3/8 (9.5)    |
| LCBSB-8-01A-RT  | 1/2 (12.7)   |
| LCBSB-10-01A-RT | 5/8 (15.9)   |
| LCBSB-12-01A-RT | 3/4 (19.1)   |
| LCBSB-14-01A-RT | 7/8 (22.2)   |
| LCBSB-16-01A-RT | 1 (25.4)     |
| LCBSB-18-01A-RT | 1-1/8 (28.6) |



## X-ON Electronics

Largest Supplier of Electrical and Electronic Components

*Click to view similar products for [richco](#) manufacturer:*

Other Similar products are found below :

[KLB450ART](#) [RBS-5-BK](#) [FMB-1](#) [DHURCS-3-01](#) [RRC-16-9-28-M2](#) [RRH-142-80-150](#) [DHURCS-4-01](#) [RRC-16-9-28-M1](#) [RT-310-190-222](#)  
[RLCBSR-10-01](#) [OFST-1-L](#) [RFS1-15-7-A5](#) [RT-145-102-80](#) [RSH6-76100-50A](#) [RFP1-34-28-A5](#) [CAT-15-PP-BU](#) [CAT-32-PP](#) [RT-142-64-135](#)  
[FGPT-92](#) [MFTH-2-01A-RT-M](#) [RT-290-190-77](#) [BMS-SAX300MM](#) [RRH-110-50-250](#) [SHR-32-6NB](#) [RCP-040-T](#) [LEDS2M-440-01](#) [SHR-C2](#)  
[RKCF-08-A5](#) [CBSS-8-01](#) [RRH-120-85-150](#) [RFS1-15-15-A5](#) [RT-280-160-75](#) [MB-1-156](#) [RFS2-34-12-2-A5](#) [RT-175-95-127](#) [RT-290-190-75](#)  
[RT-70-35-40](#) [SNGS-2](#) [SPGSG-2](#) [RT-100-70-50](#) [WSB-2-01A-RT](#) [SP3-4-01](#) [RT-100-70-70](#) [RRH-186-102-286](#) [VMCGN120-M3-L-K](#)  
[OFHB3-4-19A-RT](#) [RRH-140-90-150](#) [RT-160-120-80](#) [RSFS-450](#) [SHR-32-PPB](#)