

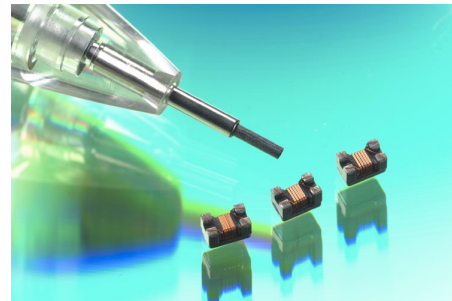
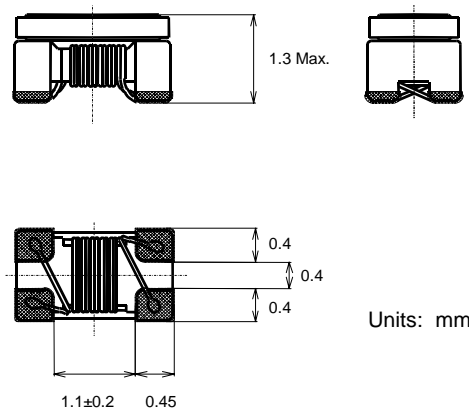
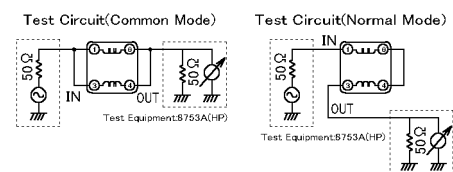
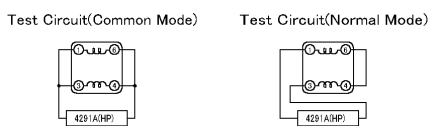
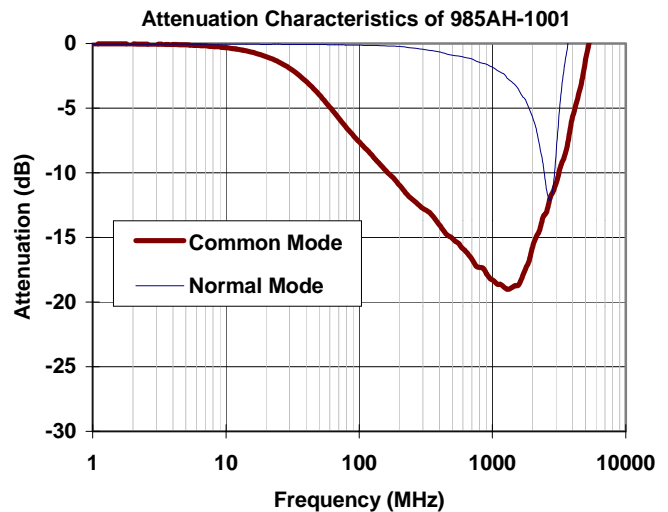
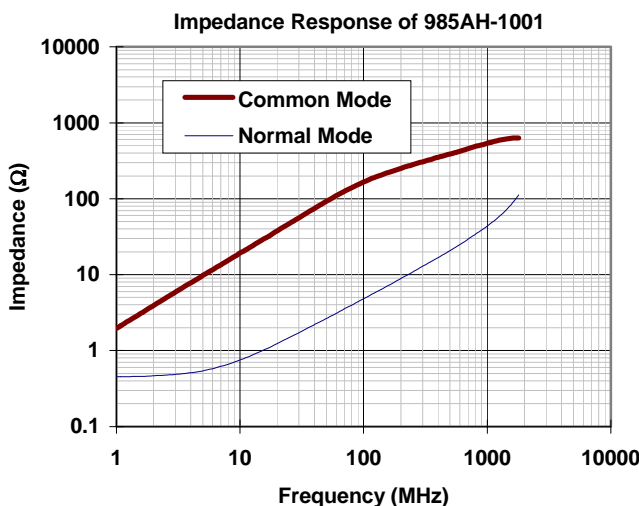
**COMMON MODE FILTER FOR USB 2.0**
**DESCRIPTION**

The TOKO NT2012 is a wirewound miniature common mode filter specifically designed to eliminate common mode noise in USB 2.0 and IEEE1394 applications. A dual winding configuration in a tight form factor provides exceptional EMI reduction in space-constrained environments.

**FEATURES**

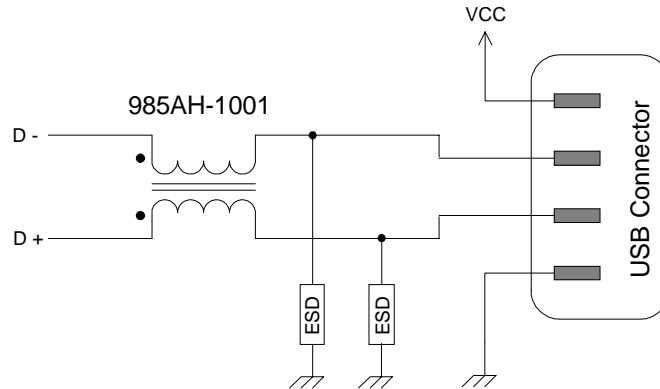
- 2.0x1.2mm package size
- 1.3mm maximum height
- Common mode impedance of 165 ohm at 100 MHz (typical).
- Operating Temperature: -30°C to +85°C
- Packaged on 2000 piece reels
- Reflow solderable

TOKO Part No.	Insertion Loss		IDC (A)	DCR ( $\Omega$ )
	10 MHz	1.2 dB max.		
985AH-1001=P2	100 MHz	4 dB min.	0.33 max.	0.26 max.
	500 MHz	11 dB min.		

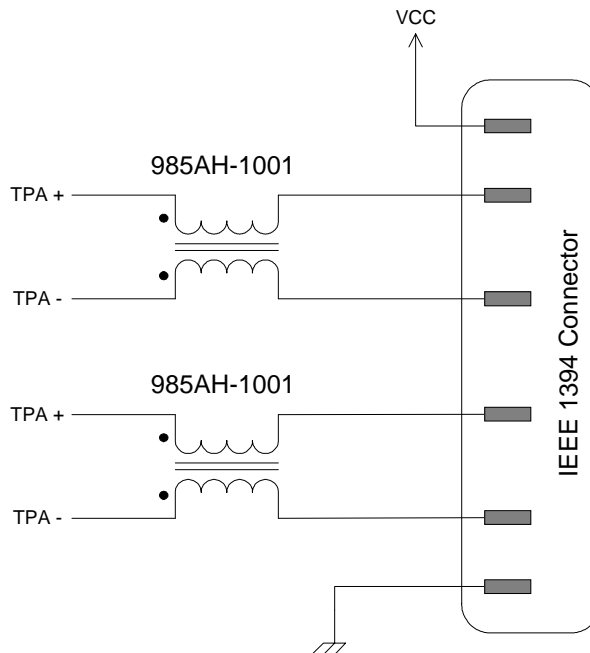

**DIMENSIONS**

**TYPICAL CHARACTERISTICS**


APPLICATION EXAMPLES

USB 1.1/ USB 2.0



IEEE1394



The information furnished by TOKO, Inc., is believed to be accurate and reliable. However, TOKO reserves the right to make changes or improvements in the design, specification, or manufacture of its products without further notice. TOKO does not assume any liability arising from the application or use of any product or circuit described herein, nor for infringements of patents or other rights of third parties which may result from the use of its products. No license is granted by implication or otherwise under any patent or patent rights of TOKO, Inc.

## X-ON Electronics

Largest Supplier of Electrical and Electronic Components

*Click to view similar products for [murata](#) manufacturer:*

Other Similar products are found below :

[786028C](#) [MGJ1D121905MPC-R7](#) [MGJ2D051515SC](#) [82103C](#) [82224C](#) [82473C](#) [GCM32EC71H106MA03L](#) [GRM2165C1H101FA01D](#)  
[PTGL09AS2R2K3B51B0](#) [11R683C](#) [DD1274AS-H-220M=P3](#) [DFE252012P-1R0M=P2](#) [BPM15-120-Q12P-C](#) [NMK1212SC](#) [NMV1212DAC](#)  
[LQH43MN330J03L](#) [GRM1885C1H150FA01J](#) [GRM21BR71C475KE51L](#) [GRM3195C2A471JD01D](#) [GRM31CR61A475KA01L](#) [RF1211C](#)  
[MGJ2D121509SC](#) [MGJ6D122005LMC-R7](#) [#B953AS-330M=P3](#) [BLM18AG601SN1J](#) [HN-214](#) [HN-214X](#) [TZ03P450](#) [UEE-12/12.5-D48NB-C](#)  
[LBWB1ZZYDZ-DTEMP-SNIC-UART-A](#) [LLM315R70J225MA11L](#) [46334C](#) [DR4103](#) [SCA830-D07-PCB](#) [NKE1212DC](#) [NMA1215SC](#)  
[UVQ-48/2.5-D24PB-C](#) [RDE5C1H472J1M1H03A](#) [IML-0642](#) [HPR105C](#) [HPQ-12/25-D48PB-C](#) [UWS-5/10-Q48N-C](#) [UWR-5/2000-D24E-C](#)  
[19R683C](#) [UHE-152000-D24-C](#) [782485/35C](#) [UEI-3.3/15-Q12PR-C](#) [MGJ2D122005SC](#) [MEV1S0505SC](#) [MEMS-EVAL-BOARD](#)