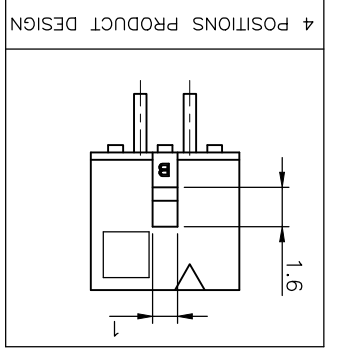
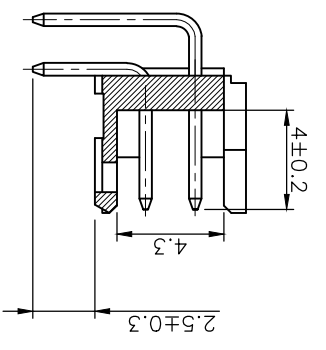
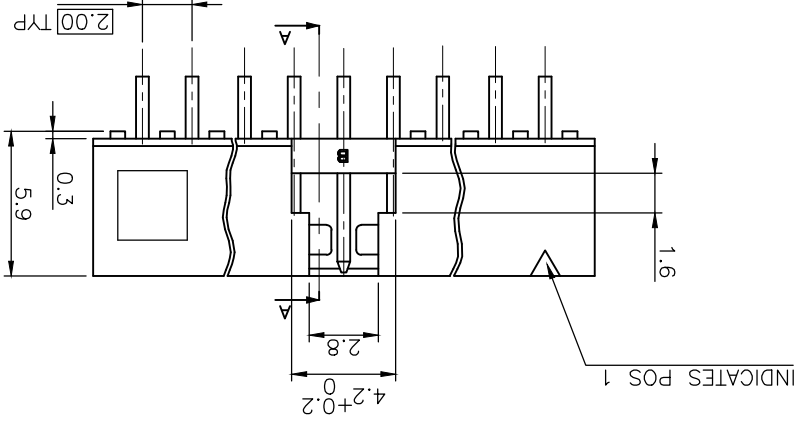
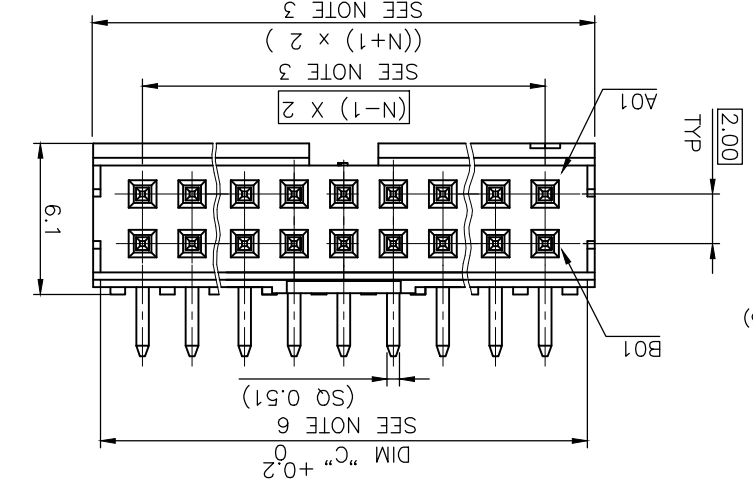
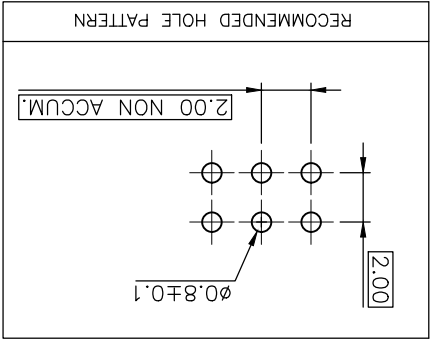


PRODUCT NUMBER
 98464-X61-XX-XXXLF

- NOTES:
- 1. MATERIAL HOUSING: HIGH TEMP. THERMOPLASTIC UL 94V-0
 - 2. MATERIAL TERMINAL: COPPER ALLOY
 - 3. TO DETERMINE DIMENSIONS:
 N = NUMBER OF POSITIONS PER ROW
 - 4. 7N MIN. PIN RETENTION IN EITHER DIRECTION.
 - 5. PACKAGING:
 = STANDARD PACKAGING IN POLYBAGS
 = POLYBAGS WHEN POLARISATION FEATURE APPLICABLE
 U = TUBE AVAILABLE FROM 06 TO 50 POS
 - 6. DIM "C" = (N x 2) + 1.4
 EXAMPLE: N = 7
 DIM "C" = (7 x 2) + 1.4 = 15.4 mm
 - 7. FOR POLARIZATION, SPECIFIED PIN
 OMIT FROM PRODUCT NUMBER IF THIS FEATURE IS NOT APPLICABLE
 EXAMPLE: A03= ROW A, POSITION 03 TO OMIT PIN
 - 8. ROHS COMPATIBLE PRODUCT SPECIFICATIONS

- PLATING
- S = 0.38µm GOLD/GXT ON CONTACT AREA
 - F = 0.76µm GOLD/GXT ON CONTACT AREA
 - T = 2.0-5.0µm TIN FULL PLATED
 - 1.27µm NI MIN UNDERPLATING
- = STANDARD COLOR CREAM
 B = OPTIONAL COLOR BLACK

- a - PLATING:
- "LF" MEANS THE PRODUCT IS LEAD-FREE, 2µm MINIMUM MATTE TIN OVER 1.27µm MINIMUM NICKEL UNDERPLATE.
- b - MANUFACTURING PROCESS COMPATIBILITY
- THE HOUSING WILL WITHSTAND EXPOSURE TO 260C ±5C SOLDER BATH TEMPERATURE FOR 5 SECONDS IN A WAVE SOLDER APPLICATION WITH A 1.6mm MIN THICK CIRCUIT BOARD.
- c - LABELLING:
 - MEETS PACKAGING SPECS AS PER GS-14-920
 - THIS PRODUCT MEETS EUROPEAN DIRECTIVES AND OTHER COUNTRY REGULATIONS AS DESCRIBED IN GS-47-0004



mat'l. code		SEE NOTES		surface tolerance		ISO 1302		ISO 406		ISO 150	
projection		101		tolerances unless otherwise specified		X.X ±0.3		X.X ±0.3		mm	
product family		MINITEK		title		SHR HEADER		2.00 RIGHT ANGLE TMT		scale 1:1	
dwg no		98464		type		CUSTOMER Drawing		sheet		index	
sheet		revision		sheet		revision		sheet		revision	
K	F12-0088JCO	12.07.23	appd	JMC	04.09.27	J	F08-0145EVA	15.04.08	chr		
P	B-19988	LMU	15.01.13	dr	L.MULIN	04.09.27	engr	J.COMPAGNON	04.09.27		
N	B-19797	AMA	14.12.16								
M	B-19190	LMU	14.10.24								
L	B-15815	JCO	13.09.11								

X-ON Electronics

Largest Supplier of Electrical and Electronic Components

Click to view similar products for [Headers & Wire Housings](#) category:

Click to view products by [Amphenol](#) manufacturer:

Other Similar products are found below :

[95000-104TRLF](#) [10135584-644402LF](#) [DF62W-EP2022PCA](#) [95000-106TRLF](#) [DF62W-2022SCA](#) [DF62W-EP2022PC](#) [2203348](#) [DF62W-2022SC](#) [1084018](#) [1029039](#) [1084017](#) [802-10-012-10-002000](#) [1112640](#) [1112639](#) [000-34000](#) [0009482033](#) [0009507031](#) [57102-S06-03LF](#) [57202-S52-04LF](#) [PCN6-15S-2.5E](#) [0039019024](#) [58102-G61-06LF](#) [582553-1](#) [0009485154](#) [0009508121](#) [0022285053](#) [0050291907](#) [018731A](#) [LY20-4P-DT1-P1E-BR](#) [02.125.8002.8](#) [60101931](#) [60598-1 \(Cut Strip\)](#) [M1625-3R/100](#) [61062-3](#) [61082-181009](#) [636-1427](#) [638009-1](#) [641938-9](#) [641991-4](#) [644168-1](#) [647662-1](#) [65039-019ELF](#) [65781-018](#) [65781-047](#) [65817-002LF](#) [65817-015LF](#) [65863-015LF](#) [66207-023LF](#) [67016-026LF](#) [67046-001LF](#)