

2 Watts IST Series



- Single Output
- SMD Package
- Industry Standard Pinout
- 1000 VDC Isolation
- MTBF >3.5 Mhrs
- -40 °C to +85 °C Operation
- 3 Year Warranty

Specification

Input

- Input Voltage Range • Nominal ±10%
- Input Reverse Voltage Protection • None

Output

- Output Voltage • See table
- Minimum Load • 10%⁽²⁾
- Line Regulation • 1.2%/1% Δ Vin
- Load Regulation • 7.5% max for a 10-100% load change
- Setpoint Accuracy • 100-110% of nominal at 10% load
- Ripple & Noise • 200 mV pk-pk 20 MHz bandwidth
- Temperature Coefficient • 0.03%/°C

General

- Efficiency • See table
- Isolation Voltage • 1000 VDC
- Isolation Resistance • 10⁹ Ω
- Switching Frequency • 500 kHz typical at nominal input, full load
- MTBF • >3.5 Mhrs to MIL-HDBK-217F at 25 °C, GB

Environmental

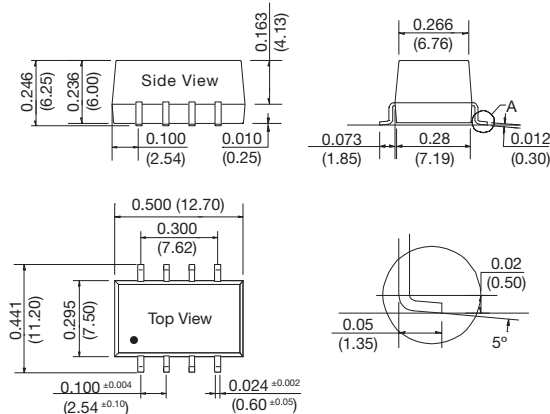
- Operating Temperature • -40 °C to +85 °C
- Storage Temperature • -55 °C to +125 °C
- Case Temperature • 105 °C max
- Cooling • Convection-cooled
- Lead Temperature • 260 °C, 0.06 in (1.5 mm) from case, 10 s

Input Voltage	Output Voltage	Output Current	Efficiency (typ)	Model Number ⁽¹⁾
5 VDC	5.0 V	400 mA	78%	IST0505A
	12.0 V	167 mA	79%	IST0512A
	15.0 V	133 mA	79%	IST0515A
12 VDC	5.0 V	400 mA	78%	IST1205A
	12.0 V	167 mA	80%	IST1212A
	15.0 V	133 mA	81%	IST1215A
24 VDC	5.0 V	400 mA	78%	IST2405A
	12.0 V	167 mA	80%	IST2412A
	15.0 V	133 mA	81%	IST2415A

Notes

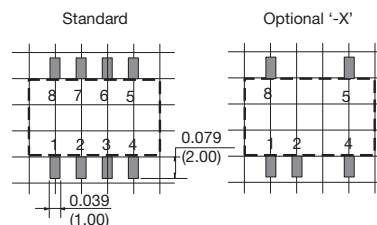
1. For alternative pin out, add suffix '-X' to end of part number eg. IST2415A-X.
2. Operation at no load will not damage device but may not meet all specifications.

Mechanical Details



Recommended footprint

Top view grid: 0.1 x 0.1 in (2.54 x 2.54 mm)



Pin	Standard	'-X' Version
1	-Vin	-Vin
2	+Vin	+Vin
4	0 V	0 V
5	+Vo	+Vo
3,6,7	N.C.	No Pin
8	N.C.	N.C.

N.C. Not connected

Notes

1. All dimensions in inches (mm)
2. Tolerance: ±0.010 (±0.25)
3. Weight: 0.004 lbs (1.7 g)
4. Pin tolerance: ±0.004 (±0.10 mm)

X-ON Electronics

Largest Supplier of Electrical and Electronic Components

Click to view similar products for [xp power manufacturer](#):

Other Similar products are found below :

[FCM400PS12](#) [HDS1500PS48](#) [ASB110PS28](#) [ECE40US24-SD](#) [ECE40US48](#) [ECE60US48-S](#) [ECL15UD02-T](#) [ECM40UT33](#) [ECM60US48](#)
[EMH250PS12](#) [EML15US24-E](#) [EML30US03-S](#) [IA0524D](#) [ISW0505A](#) [ITV2405SA](#) [JCA0205S05](#) [JCA0248S05](#) [JCD0412D05](#) [JCK3012S05](#)
[IA2424S](#) [IE1205SH](#) [JCA0305S15](#) [JCG1212S05](#) [JCK6048S12](#) [JTE0624D24](#) [JTL6048S12](#) [JTK3024S15](#) [JTC0648D03](#) [JTC0624S05](#)
[JSM2524S12](#) [JHL0624S05](#) [ACS40-60 LOOM](#) [JCP4024T0515](#) [JCM3024S12](#) [JCM3012S12](#) [JCK3048S05](#) [RCQ50110S15](#) [JCD0612S05](#)
[IF0503S](#) [IEU0224D12](#) [IEQ0524S3V3](#) [IEU0312D05](#) [IEQ0548S24](#) [VER36US120-JA](#) [VER18US150-JA](#) [AH20N-12](#) [ECM40/60S LOOM](#)
[MTC3528S12](#) [ECL15 DIN CLIP](#) [A20N-5](#)