

# PROFESSIONAL PANEL SOCKET (443 RANGE)

Sheet No. **PS 0461**

Date: 01.09.94

Issue No. 3 (17.03.97)

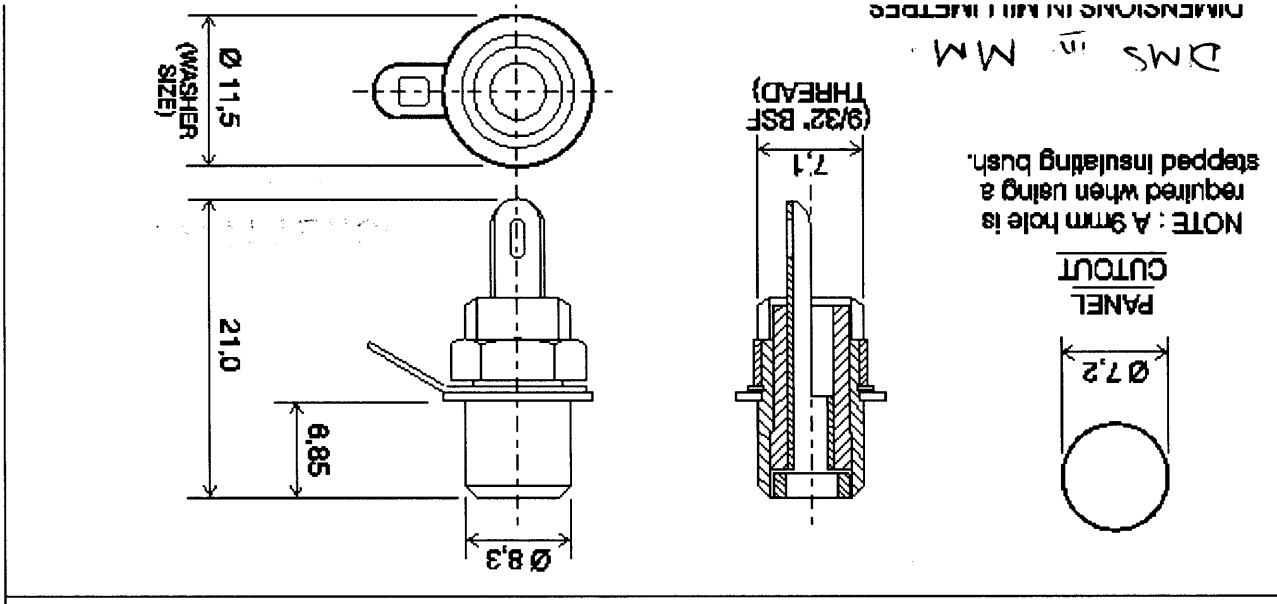
Sheet 1 of 1

Signature

Deltron Part No.

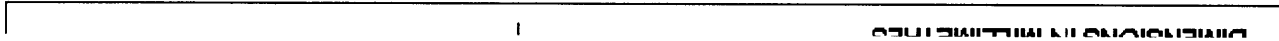
<b>GOLD</b>	<b>NICKEL</b>	<b>BLACK</b>	<b>RED</b>
432-0100	431-0100	431-0500	432-0500

## Dimensions



## PRODUCT SPECIFICATION





Description
<p>A turned brass single nut fixing panel socket available in nickel or gold plated finish. A choice of red or black insulator is useful for identification purposes.</p> <ul style="list-style-type: none"> <li>- single nut fixing makes these adaptable sockets suitable for stacking adjacent to one another.</li> <li>- thermoplastic insulated.</li> <li>- maximum panel thickness 3mm.</li> <li>- mounting hole 7,2mm diameter.</li> <li>- a panel isolating kit is also available (comprising of a plain and stepped washer).</li> </ul>

Features
<p><b>MATERIAL</b> : Brass gold flash (0,05mm) or nickel plate</p> <p><b>SOCKET</b> : Brass, silver plate</p> <p><b>INSULATION</b> : Acetal : Brass gold flash (0,05mm) or nickel plate</p> <p><b>SOLDER TAG</b> : Brass gold flash (0,05mm) or tin lead plate</p> <p><b>WASHER</b> : Noryl, black or red or tin lead plate</p> <p><b>RATINGS</b> 5 Amps at 200 Vdc / 150 Vac max</p> <p><b>INSULATION RESISTANCE</b> 100 M <math>\Omega</math> at 500 Vdc</p>

**Request A Product Sample**

This website is copyright Deltron Emcon 2001©  
If you have any comments or suggestions please contact  
sales@deltron-emcon.com

## **X-ON Electronics**

Largest Supplier of Electrical and Electronic Components

*Click to view similar products for [deltron](#) manufacturer:*

Other Similar products are found below :

[610-0700](#) [651-0800](#) [342-0000](#) [W127G](#) [066541F](#) [066542D](#) [W205C](#) [W106C](#) [611-0700](#) [717-0400](#) [456-0020](#) [460-0070](#) [479-0020-5](#) [486-121209-66](#) [480-C010](#) [490-170805E-68](#) [459-0080](#) [459-0140](#) [590-0700](#) [MDU14S](#) [4MP2616](#) [461-0050](#) [571-0400-01](#) [480-C040](#) [462-0020E](#) [4DR3522](#) [487-261612E-66](#) [486-261609-68](#) [466-0050](#) [356-0200](#) [702-0500](#) [711-0500](#) [552-0600](#) [WHT](#) [800-0400](#) [487-261609E-66](#) [487-221209E-68](#) [462-0040A](#) [461-0070](#) [456-0030](#) [461-0070E](#) [490-040503A-68](#) [486-S68-2616](#) [4ELM6](#) [483-0100](#) [483-0030](#) [480-0010](#) [466-0150](#) [455-0020](#) [461-0030](#) [461-0090](#)