

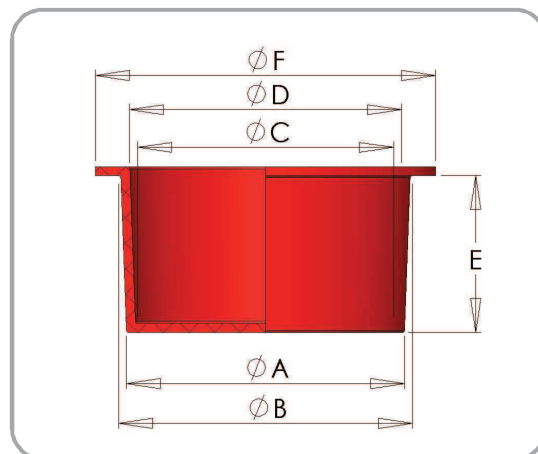
SP – Tapered Protection Plugs



Smooth Tapered Protection Plugs

Universal tapered protection plugs for various applications.

Material LDPE
Colour Red
Units mm



Article no.	Article name	A	B	C	D	E	F	Qty / carton	Qty / bag
10580	SP 68	6.0	7.5	4.5	6.0	8.6	11.8	30 000	1 000
10600	SP 69	6.3	7.4	4.9	5.5	7.0	11.6	30 000	1 000
10700	SP 79	7.2	8.4	5.6	6.9	8.0	12.5	30 000	1 000
10800	SP 87	7.8	9.2	6.2	7.8	8.9	13.4	30 000	1 000
10900	SP 98	9.1	10.2	7.6	8.8	10.0	13.7	30 000	1 000
11000	SP 103	9.5	10.8	8.6	10.0	9.7	15.2	30 000	1 000
11100	SP 116	10.7	12.3	9.2	10.7	9.0	16.2	30 000	1 000
11200	SP 121	11.1	12.7	9.3	11.0	9.8	17.3	27 000	1 000
11300	SP 130	11.9	13.7	10.0	12.1	10.1	18.4	20 000	1 000
11400	SP 137	12.7	14.5	10.7	12.6	11.0	19.2	20 000	1 000
11500	SP 147	13.7	15.5	12.0	14.0	11.7	19.1	16 000	1 000
11600	SP 152	14.1	16.0	12.5	14.5	11.8	19.2	15 000	1 000
11700	SP 163	15.0	17.2	13.0	15.2	12.8	20.8	12 000	1 000
11800	SP 180	16.5	19.0	15.8	18.0	14.2	23.4	10 000	1 000
11900	SP 190	17.6	20.1	16.0	18.7	13.5	24.2	8 000	1 000
12000	SP 202	18.7	21.7	16.7	19.5	13.5	25.1	6 000	1 000
12100	SP 214	19.6	22.4	18.0	20.7	15.0	26.2	6 000	1 000
12200	SP 217	20.4	23.2	18.5	21.7	16.8	26.4	6 000	1 000
12300	SP 223	21.0	23.7	19.9	22.6	15.1	28.3	6 000	1 000
12400	SP 237	22.4	25.2	20.5	23.2	16.4	29.0	6 000	1 000
12500	SP 249	24.5	25.5	22.0	24.2	13.8	30.0	5 000	1 000
12600	SP 262	25.2	27.2	23.6	25.6	13.8	31.0	5 000	1 000
12700	SP 279	27.0	28.3	25.5	26.5	13.7	34.8	4 000	1 000
12800	SP 285	27.3	29.7	25.5	28.8	13.8	35.0	5 000	1 000
12900	SP 292	28.0	30.0	25.8	28.3	13.3	35.0	4 000	1 000
13000	SP 306	29.6	31.1	28.5	30.3	17.0	36.0	3 000	1 000

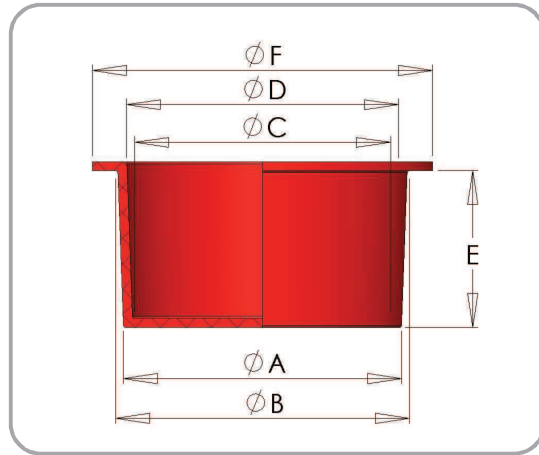
SP – Tapered Protection Plugs



Smooth Tapered Protection Plugs

Universal tapered protection plugs for various applications.

Material LDPE
Colour Red
Units mm



Article no.	Article name	A	B	C	D	E	F	Qty / carton	Qty / bag
13100	SP 322	31.0	33.4	29.5	32.0	16.8	36.1	3 000	1 000
13200	SP 343	33.7	35.7	31.8	33.8	17.0	40.0	3 000	1 000
13300	SP 361	34.4	37.8	32.9	36.2	16.8	43.0	2 000	500
13320	SP 362	34.5	37.9	33.0	36.4	24.8	43.0	2 000	500
13400	SP 371	35.6	38.2	34.0	37.1	16.8	41.5	2 000	500
13500	SP 392	37.9	40.3	36.4	39.4	18.0	44.0	2 000	500
13600	SP 409	39.4	42.4	37.8	40.8	20.0	47.0	1 500	500
13700	SP 427	41.5	43.9	40.0	42.4	18.0	48.0	1 500	500
13800	SP 430	41.5	44.6	40.0	43.2	17.0	47.5	1 500	500
13900	SP 451	43.8	46.2	42.3	44.9	19.0	51.0	1 500	
14000	SP 460	44.5	47.4	42.5	45.1	19.0	51.5	1 500	500
14050	SP 475	47.3	49.6	45.8	48.0	19.4	54.2	1 500	500
14100	SP 484	47.3	49.5	45.7	48.1	19.0	54.0	1 500	
14200	SP 503	49.3	51.4	47.6	50.0	19.0	56.0	1 200	
14300	SP 525	50.9	54.1	49.4	52.6	20.0	60.0	1 000	
14310	SP 535	50.7	56.2	49.2	54.7	31.5	59.3	800	
14320	SP 545	52.7	56.3	51.1	54.7	20.0	59.3	1 000	
14400	SP 568	55.7	58.1	54.0	56.7	20.0	63.7	1 000	
14450	SP 586	57.3	59.9	55.7	58.1	20.0	64.0	1 000	
14500	SP 602	58.9	61.5	57.4	60.0	20.0	65.0	900	
14600	SP 613	59.6	62.5	58.5	61.0	20.0	66.0	800	
14610	SP 626	59.6	63.0	58.5	61.5	20.0	68.5	800	
14620	SP 668	65.5	68.2	64.0	66.6	21.0	71.0	700	
14630	SP 625	61.0	64.0	59.5	62.5	19.2	70.5	800	
14660	SP 702	68.3	72.2	66.3	70.2	22.0	75.0	500	
14680	SP 750	73.6	76.5	71.5	74.5	18.6	83.0	700	

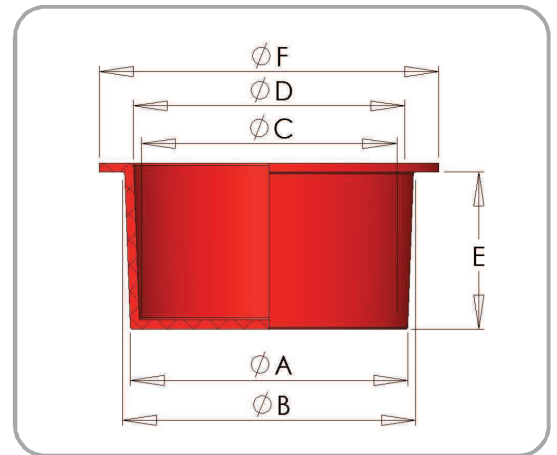
SP – Tapered Protection Plugs



Smooth Tapered Protection Plugs

Universal tapered protection plugs for various applications.

Material LDPE
Colour Red
Units mm



Article no.	Article name	A	B	C	D	E	F	Qty / carton
14690	SP 765	74.8	78.2	73.0	76.3	24.0	83.2	400
14700	SP 800	78.2	81.0	76.2	79.2	21.4	85.6	400
14720	SP 815	80.0	83.0	79.1	82.1	29.0	103.0	400
14730	SP 824	80.3	84.5	79.1	82.5	17.6	92.5	400
14800	SP 893	88.0	90.6	86.0	88.6	22.0	96.0	300
14900	SP 900	85.0	95.0	83.0	93.0	40.0	105.0	200
14950	SP 926	91.0	94.0	87.0	92.0	24.0	103.5	200
15000	SP 960	94.0	98.0	92.0	96.0	24.0	100.0	200
15010	SP 961	94.0	97.9	92.0	96.0	24.0	155.0	200
15100	SP 975	89.0	106.0	85.2	102.3	30.0	116.0	150
15200	SP 1000	99.3	102.0	97.5	106.0	22.8	107.3	200
15210	SP 1014	99.4	103.4	97.5	101.5	28.0	109.0	200
15220	SP 1020	100.5	103.3	98.7	101.5	23.0	107.0	300
15300	SP 1070	104.0	110.0	101.6	107.6	31.0	112.8	200
15320	SP 1113	110.5	112.5	109.0	111.0	27.5	119.5	200
15350	SP 1142	112.7	115.6	110.8	113.5	23.0	121.3	200
15370	SP 1176	115.3	119.9	112.9	117.4	28.9	122.1	150
15400	SP 1250	123.9	128.0	122.0	125.5	25.0	138.0	150
15440	SP 1400	137.5	142.3	135.3	140.0	28.0	151.03	100
15500	SP 1620	160.0	164.0	157.5	161.5	40.0	172.0	40
15520	SP 1657	165.0	166.0	162.0	163.0	28.0	172.0	80
16000	SP 2017	199.5	203.9	196.9	200.9	33.2	218.0	40

X-ON Electronics

Largest Supplier of Electrical and Electronic Components

Click to view similar products for [Mounting Fixings](#) category:

Click to view products by [Sundplast](#) manufacturer:

Other Similar products are found below :

[007310](#) [007541](#) [6-141-P](#) [620HA038NF09](#) [620HA038NF11](#) [71-074914-006](#) [71-146610-6H](#) [712HA170B23128-N](#) [71-441549-19S](#) [71-490451-4H](#) [75-69211-3P](#) [75-69220-27S](#) [75-69224-5S](#) [770-006A109](#) [770-006A109R](#) [770-006A207](#) [770-006A208W1](#) [770-006A209](#) [770-006A306](#) [770-006A703W1](#) [770-006A704](#) [770-006A704W1](#) [770-006A705](#) [770-006A706](#) [770-006A706W1](#) [770-006A707](#) [770-006A709](#) [770-007A203](#) [770-007A203W1](#) [770-007A204W1](#) [770-007A207W1](#) [770-007A703](#) [770-007A704W1](#) [770-007A706](#) [770-007A707W1](#) [770-010Y208](#) [770-010Y308](#) [770-010Y705](#) [770-010Y706](#) [770-010Y707W1](#) [770-011T201](#) [770-011T203](#) [770-011T701W1](#) [770-011T702](#) [770-011T702W1](#) [770-011T703](#) [770-013210W1](#) [770-013311](#) [770-013312](#) [770-013709](#)