



Main

Range of product	OsiSense XC
Series name	Standard format
Product or component type	Wireless limit switch
Device short name	XCKW
Body type	Fixed
Head type	Plunger head

Complementary

Body material	Plastic
Head material	Plastic
Lever material	Metal
Fixing mode	By 4 screws
Type of operator	Metal spring return roller plunger
Switch actuation	By 30° cam
Type of approach	2 directions lateral approach
Communication network type	ZigBee green power 2.4 GHz conforming to IEEE 802.15.4
Electrical composition code	PW1
Emission power	3 mW
Response time	<= 2 ms
Maximum sensing distance	100 m in free field 300 m with external antenna 25 m with receiver in metal enclosure 40 m with receiver in metal enclosure and active antenna
Contacts operation	Snap action
Number of steps	1
Maximum force for tripping	50 N
Maximum actuation speed	0.5 m/s
Operating rate	<= 60 cyc/mn
Mechanical durability	400000 cycles
Switching operation per hour	<= 3600
Width	40 mm
Height	125 mm
Depth	41 mm
Product weight	0.22 kg

The information provided in this documentation contains general descriptions and/or technical characteristics of the performance of the products contained herein. This documentation is not intended as a substitute for and is not to be used for determining suitability or reliability of these products for specific user applications. It is the duty of any such user or integrator to perform the appropriate and complete risk analysis, evaluation and testing of the products with respect to the relevant specific application or use thereof. Neither Schneider Electric Industries SAS nor any of its affiliates or subsidiaries shall be responsible or liable for misuse of the information contained herein.

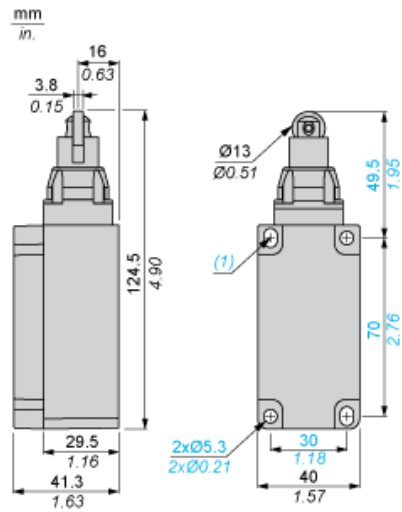
Environment

Electromagnetic compatibility	Radiated emission Immunity for industrial environments Susceptibility to electromagnetic fields : 3 V/m, 80...2700 MHz, distance = 20 m Susceptibility to electromagnetic fields : 10 V/m, 80...2000 MHz Electrostatic discharge immunity test : 6 kV, on contact (on metal parts) Electrostatic discharge immunity test : 8 kV, in free air (in insulating parts)
Shock resistance	50 gn (duration = 11 ms) conforming to IEC 60068-2-27
Vibration resistance	+/- 10 mm (vibration frequency: 2...11 Hz) conforming to IEC 60068-2-6 25 gn (vibration frequency: 10...500 Hz) conforming to IEC 60068-2-6
IP degree of protection	IP67 conforming to IEC 60529 IP66 conforming to IEC 60529
IK degree of protection	IK05 conforming to EN 50102
Ambient air temperature for operation	-25...55 °C
Ambient air temperature for storage	-40...70 °C
Directives	2004/108/EC - electromagnetic compatibility 1999/5/EC - R&TTE directive
Standards	EN/IEC 60947-2 EN/IEC 60947-5-2
Radio agreement	IC RSS FCC RCM

Offer Sustainability

Sustainable offer status	Not Green Premium product
RoHS (date code: YYWW)	Compliant - since 1545 - Schneider Electric declaration of conformity
REACH	Reference not containing SVHC above the threshold

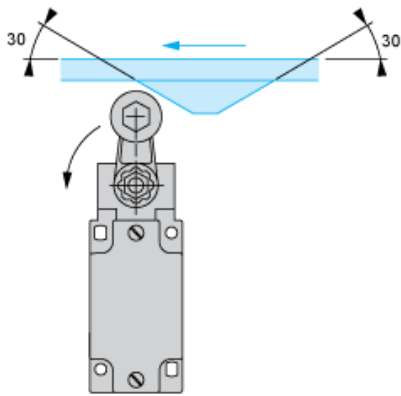
Dimensions



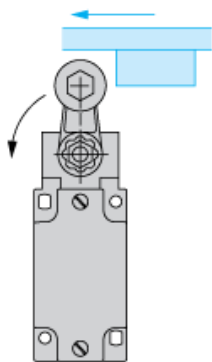
(1) 2 elongated holes 5.3 x 7.3 mm / 0.21 x 0.29 in.

Mounting with Rotary Head and Roller Lever

Recommended Mounting

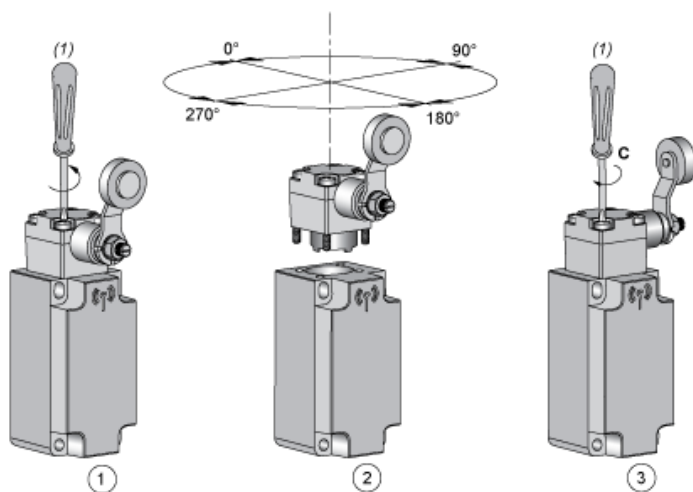


Mounting to be Avoided



Mounting

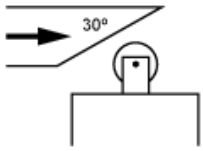
Head Orientation



(1) PZ1, pozidriv screwdriver, size 1
C : 1 Nm ($\pm 20\%$) / 8.85 lb-in ($\pm 20\%$)

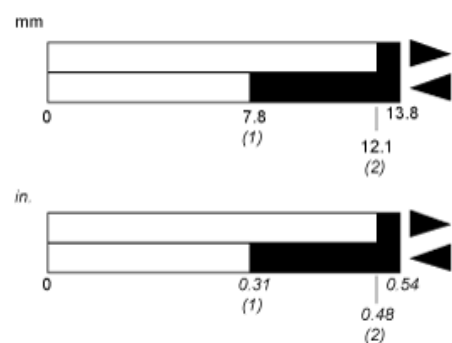
Mounting

Characteristics of Actuation



Technical Description

Functionnal Diagram, Travel Distance



- (1) Reset
- (2) Set

X-ON Electronics

Largest Supplier of Electrical and Electronic Components

Click to view similar products for [schneider manufacturer](#):

Other Similar products are found below :

[LU9M1](#) [7D](#) [7S](#) [7XA1](#) [FNQR2](#) [8501RS44V24](#) [8501RSD14P14V51](#) [8501XO20V03Y414](#) [9001KXRK](#) [9001SKR9P35RH25](#) [9001SKT35L31](#)
[9003K2C003GA](#) [9007AA1](#) [9007BA1](#) [9007C54D](#) [9007C62A2](#) [9007CA11](#) [9007FA3](#) [9007HA4](#) [9007HA6](#) [9007KA1](#) [9007KB11](#)
[9007MS01S0206](#) [9007MS02S0300](#) [9012GAR4](#) [9012GAW2](#) [9012GBW1](#) [9012GDW5E3](#) [9012GFW1](#) [9012GNG1](#) [9012GNG3](#) [9012GNG6](#)
[9013FHG39J69](#) [9013GHG2J30](#) [9050JCK2F30V14](#) [GV2ME04](#) [GV2ME10](#) [GV2ME14](#) [GV2ME20](#) [GV2ME32](#) [GV2P06](#) [GV2P08](#) [GV2P10](#)
[GV2P16](#) [GV2P20](#) [GV2P21](#) [GV2RT07](#) [GV2RT21](#) [GVAD1001](#) [GVAN11](#)