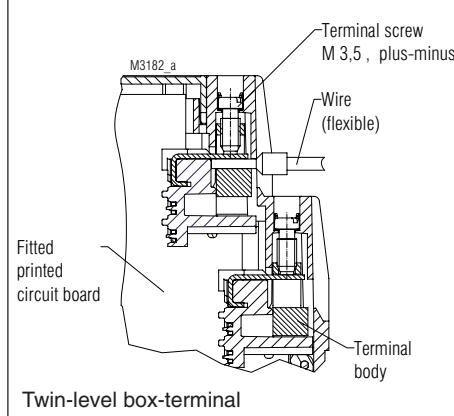


Insulated Enclosure KO 4300S

with twin-level box terminal
for machine soldering technology



- Width 22,5 / 45 / 67,5 / 90 mm
- Max. 16 / 32 / 48 / 64 box terminals
- Large, variable front plate surface
- Large cross section of connections possible (e.g. 2 x 1,5 mm² with stranded ferruled)
- Max. current carrying capacity
- machine soldered terminal block, use of heat-resistant plastic means no cover for the terminal block facing the soldering bath is required
- Large plus-minus screws enable high tightening torques
- high-voltage test complying with IEC 60 439-1
- Printed circuit board density t = 1,5 mm and 1 mm possible
- More option possible, see "Other options"



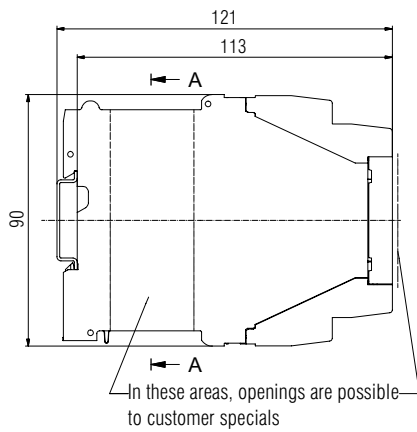
Technical Data

Order reference	width	depth = 118 mm	depth = 97 mm
(parted frontplates):	22,5 mm	KO 4303S.0054998	KO 4323S.0054999
	45 mm	KO 4304S.0055738	KO 4324S.0055681
	67,5 mm	KO 4305S.0055671	KO 4325S.0055682
	90 mm	KO 4306S.0055672	KO 4326S.0055683
Enclosure material:	PC-GF, light gray RAL 7035 (housing parts) polyamide (PA GF), natural (terminal block)		
Temperature stability:	PC		PA
complying with UL 746 B:	125 °C		
complying with Vicat ISO 306	Meth. B:	148 °C	
complying with ISO 75-2	Meth. A:	138 °C	> 290 °C
	Meth. B:	144 °C	> 290 °C
Max. permitted power dissipation:	see diagrams		
Specific thermal resistance:			
KO 4303S; KO 4304S; KO 4305S:	R _{th} = 6,5 K/W; 5,5 K/W; 4,2 K/W		
KO 4323S; KO 4324S; KO 4325S:	R _{th} = 9,0 K/W; 6,5 K/W; 5,4 K/W		
Flame retardancy complying with UL 94:	V-0		V-0
complying with IEC 60 707:	BH 2-30		
Number of terminals:			
KO 4303S, KO 4323S:	16	} less, on request	
KO 4304S, KO 4324S:	32		
KO 4305S, KO 4325S:	48		
KO 4306S; KO 4326S:	64		
Terminal material:	steel strip, tin-plated		
Max. cross section for connection:	each 1 x 2,5 mm ² stranded ferruled DIN 46 228-1/-2-/3/-4 each 1 x 4 mm ² solid each 2 x 1,5 mm ² stranded ferruled DIN 46 228-1/-2-/3 each 2 x 2,5 mm ² solid		
Min. cross section for connection:	each 1 x 0,5 mm ² solid or stranded ferruled DIN 46 228-1/-2-/3/-4		
Insulation of wires or sleeve length:	8 mm		
Max. contact resistance to printed circuit board:	10 m Ω		
Max. current carrying capacity:	16 A		
Wire fastening:	Captive plus-minus-terminal screws M3,5 with self raising terminal box		
Inner connection:	Terminal block can be machine soldered; use of heat-resistant plastic means no cover for the terminal block facing the soldering bath is required		
Enclosure fastener:	Snap-on fastener on top hat rail		IEC/EN 60 715
Creepage resistance: Enclosure:	CTI 175 ≙ insulating material III a		IEC 60 664-1
Terminal block:	CTI 250 - 400 ≙ insulating material III a		IEC 60 664-1
Air gap and creepage distance:	outside: ≥ 6,3 mm		IEC 60 664-1
	inside: ≥ 4,0 mm		IEC 60 664-1
Type of protection Enclosure:	IP 40		IEC 60 529
Terminal strip:	IP 20		IEC 60 529
	contact protection complies with VBG 4		
Print area:			
KO 4303S, KO 4323S:	20,5 x 43,6 mm		
KO 4304S, KO 4324S:	2 x 20,5 x 43,6 mm with two-parted front or 43 x 43,6 mm with one-parted front		
KO 4305S, KO 4325S:	3 x 20,5 x 43,6 mm with three-parted front or 65 x 43,6 mm with one-parted front		
KO 4306S, KO 4326S:	4 x 20,5 x 43,6 mm with four-parted front 2 x 43 x 43,6 mm with two-parted front or 88 x 43,6 mm with one-parted front		
Printed circuit board:	See printed circuit board design		
Printed circuit board holder:	Guide ribs in base		
Other options:	<ul style="list-style-type: none"> - Variable equipping level - With ground terminal to top hat rail - Side openings, e. g. for bus connection or ventilation slots - Openings in base, e. g. for bus connection to top hat rail - Variable front plate, optionally with: <ul style="list-style-type: none"> * flap cover * openings, depending on customer specification * Combination of 22,5 and 45 mm (width) upper sections are possible 		
More information	see brochure G23		

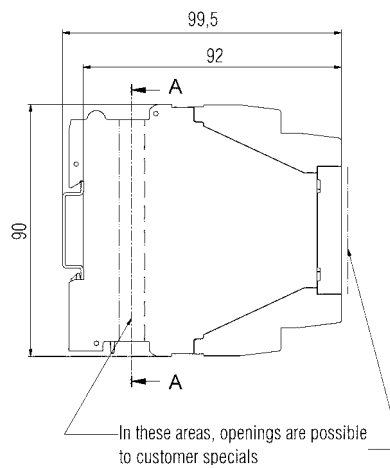
All specifications correspond to the technology used at time of publication.
We reserve the right to make improvements and changes of a technical nature at any time.

Dimensions

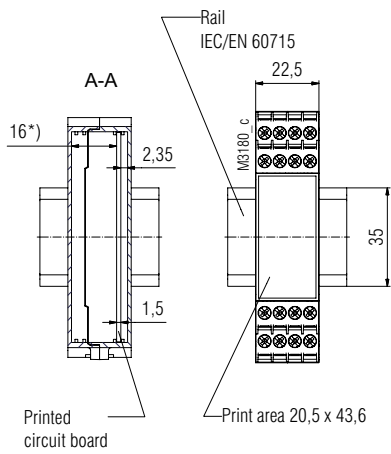
KO 430_



KO 432_

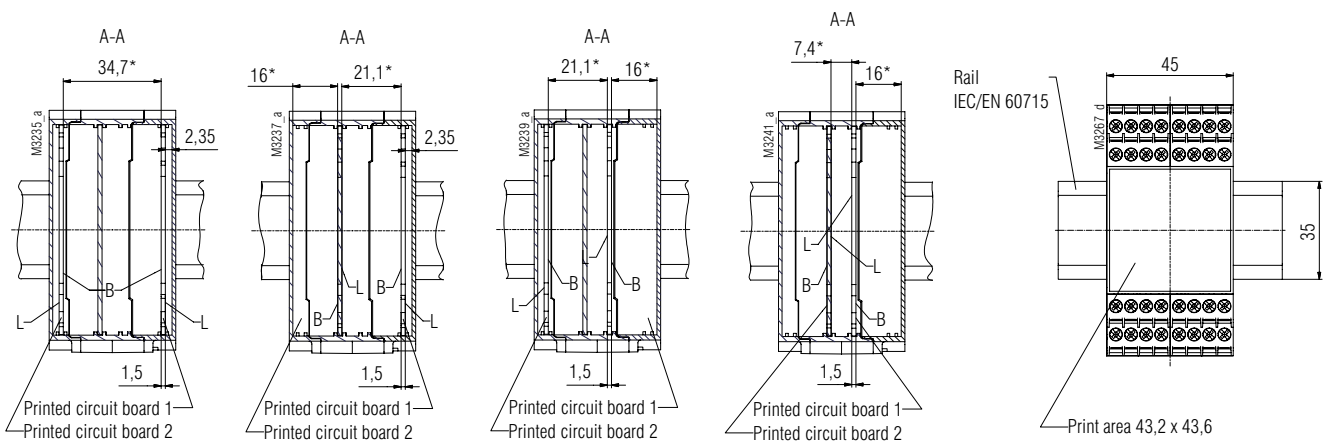


Printed circuit board configuration KO 4303S / KO 4323S



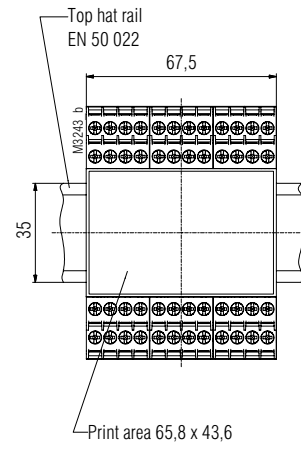
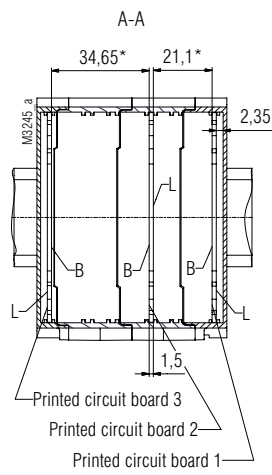
*) 16,5 with printed circuit board thickness $t = 1$ mm

Printed circuit board configuration KO 4304S / KO 4324S

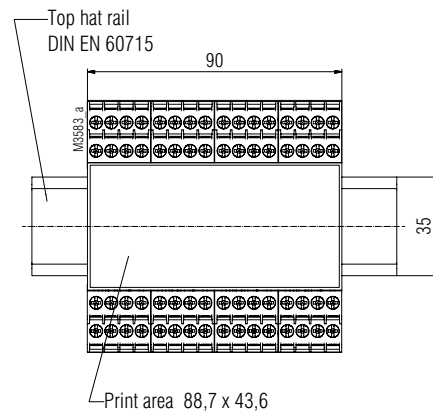
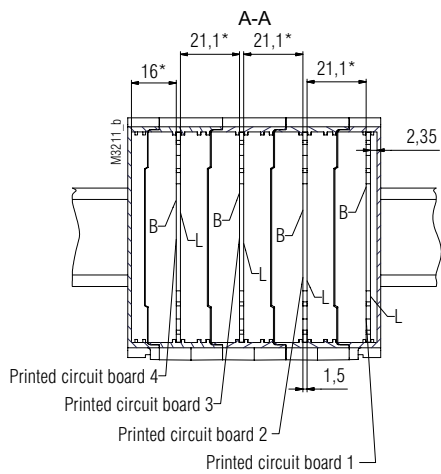


Dimensions

Printed circuit board configuration KO 4305S / KO 4325S



Printed circuit board configuration KO 4306S / KO 4326S

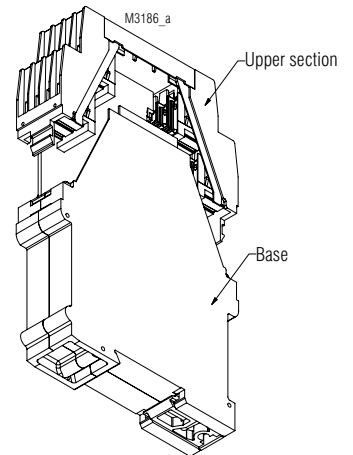
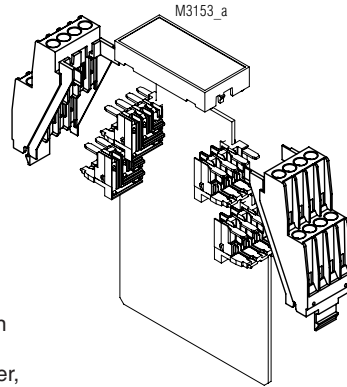
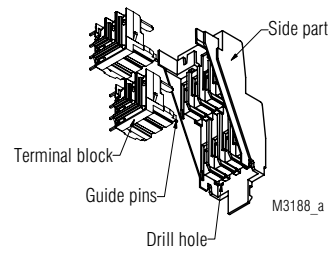


B = Component side
 L = Solder side
 * = max. component height
 Printed circuit board configuration are possible

Notes on Housing Installation

1. Installation of upper section

- Place all assemblies on a level surface.
- Push the side parts over the terminal blocks of the equipped printed circuit board; in doing so, the guide pins of the terminal blocks must slide into the drilled holes in the side parts
- Snap the front plate onto the premounted side parts



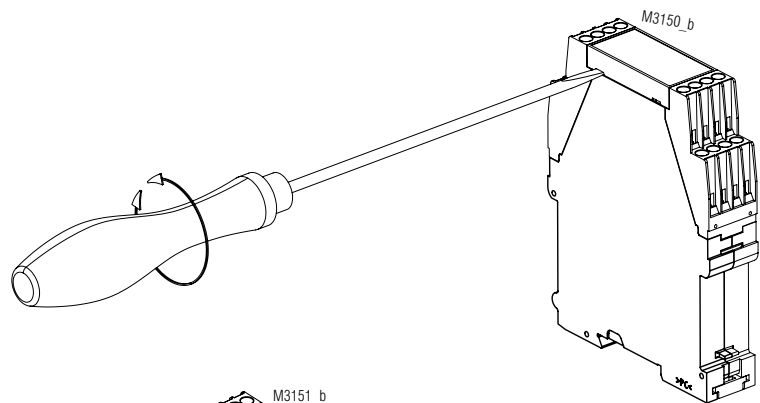
2. Installation of housing

- Place all assemblies on a level surface.
- Slide the printed circuit board of the upper section into the guide grooves of the base.
- When placing the hood and upper section together, ensure that the wall areas overlap correctly. The guide element of the base must slide into the guide recess of the upper section.

Notes on Housing Deinstallation

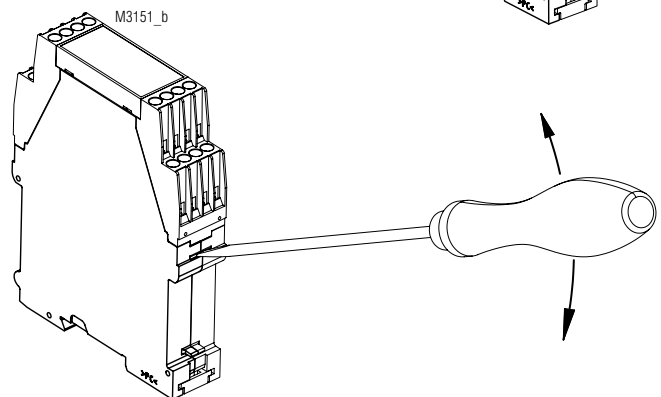
1. Removing the front plate

- Insert a screwdriver in the side recess of the front plate.
- Turn the screwdriver to the right and left.



2. Removing the upper section

- Insert a screwdriver in the snap fastener of the base as far as it will go.
- With a tilting movement, release the snap fastening.
- Pull the upper section with the printed circuit board out of the base.



X-ON Electronics

Largest Supplier of Electrical and Electronic Components

Click to view similar products for [dold & soehne](#) manufacturer:

Other Similar products are found below :

[IK 9179.11 3AC 50/60HZ 400V](#) [BD 5935.48 DC 24V](#) [BD 5936.17 AC 50/60HZ 230V](#) [BD 9080.12 3 AC 400V UH AC 230V](#) [IK 8701.12 AC 50HZ 230V](#) [BA 9043/001 3AC 50/60HZ 400V](#) [KU4087.0031867](#)