



HXC SERIES

NEW

105°C Higher Ripple, Snap-in Terminal Type

◆ FEATURES

- Load Life : 105°C 2000 hours.
- Higher ripple current endurance than MXC series.
- RoHS compliance.



◆ SPECIFICATIONS

Items	Characteristics		
Category Temperature Range	-25~+105°C		
Rated Voltage Range	200~450V.DC		
Capacitance Tolerance	±20% (20°C, 120Hz)		
Leakage Current(MAX)	$I=3\sqrt{CV}$ (After 5 minutes application of rated voltage) I = Leakage Current (μA) V = Rated Voltage (V) C = Rated Capacitance (μF)		
Dissipation Factor(MAX) (tan δ)	Rated Voltage (V)	200 ~ 400	450 (20°C, 120Hz)
	tanδ	0.15	0.20
Impedance Ratio(MAX)	Rated Voltage (V)	200	400 ~ 450 (120Hz)
	Z(-25°C) / Z(20°C)	3	8
Endurance	After applying rated voltage with rated ripple current for 2000hrs at 105°C, the capacitors shall meet the following requirements.		
	Capacitance Change	Within ±20% of the initial value.	
	Dissipation Factor	Not more than 200% of the specified value.	
	Leakage Current	Not more than the specified value.	

◆ MULTIPLIER FOR RIPPLE CURRENT

Frequency coefficient

Frequency (Hz)	60(50)	120	500	1k	10k≤	
Coefficient	200WV	0.80	1.00	1.20	1.30	1.50
	400~450WV	0.80	1.00	1.20	1.25	1.40

◆ PART NUMBER

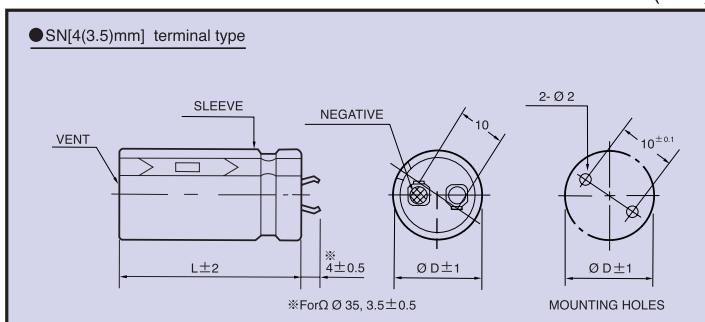
HXC OOE SN DXL
 Rated Voltage Series Rated Capacitance Capacitance Tolerance Option Terminal Code Case Size

◆ Option

	Code
without plate	OOE
with plate	Blank

◆ DIMENSIONS

(mm)





◆ STANDARD SIZE, RATED RIPPLE CURRENT

Cap(μF)	WV ∅ D	200							
		∅ 22		∅ 25		∅ 30		∅ 35	
270		22×25	1.64						
330		22×30	1.89						
390		22×35	2.14	25×25	1.99				
470		22×40	2.41	25×30	2.32	30×25	2.27		
560		22×45	2.71	25×35	2.63	30×25	2.43		
680		22×50	3.06	25×35	2.81	30×30	2.82		
820				25×45	3.32	30×30	2.94	35×25	2.56
1000				25×50	3.72	30×35	3.36	35×30	3.07
1200						30×40	3.78	35×35	3.57
1500						30×50	4.48	35×40	4.01
1800								35×45	4.44
2200								35×50	4.90

Cap(μF)	WV ∅ D	400							
		∅ 22		∅ 25		∅ 30		∅ 35	
82		22×30	0.81						
100		22×35	0.99	25×25	0.99				
120		22×40	1.19	25×30	1.19				
150		22×45	1.43	25×35	1.43	30×25	1.41		
180		22×50	1.60	25×40	1.61	30×30	1.61		
220				25×45	1.83	30×35	1.84		
270				25×50	2.06	30×40	2.10	35×30	2.00
330						30×45	2.36	35×35	2.29
390						30×50	2.62	35×40	2.56
470								35×45	2.86
560								35×50	3.15

Cap(μF)	WV ∅ D	450							
		∅ 22		∅ 25		∅ 30		∅ 35	
68		22×30	0.67						
82		22×35	0.81	25×25	0.81				
100		22×40	0.99	25×30	0.99				
120		22×45	1.19	25×35	1.19	30×25	1.19		
150				25×40	1.49	30×30	1.49	35×25	1.49
180				25×45	1.68	30×35	1.70	35×25	1.61
220				25×50	1.89	30×40	1.92	35×30	1.85
270						30×45	2.18	35×35	2.12
330						30×50	2.45	35×40	2.41
390								35×45	2.67
470								35×50	2.97

↑ Ripple Current (A r.m.s./120Hz, 105°C)
 ↑ Case Size ∅ D×L(mm)

X-ON Electronics

Largest Supplier of Electrical and Electronic Components

Click to view similar products for [Aluminum Electrolytic Capacitors - Leaded](#) category:

Click to view products by [Rubycon](#) manufacturer:

Other Similar products are found below :

[LXY50VB4.7M-5X11](#) [MAL203125221E3](#) [MAL204216159E3](#) [ESMG101ETD100MF11S](#) [RBC-25V-10UF-4X7](#) [RE3-35V222MJ6#](#) [RFO-100V471MJ7P#](#) [B41041A2687M8](#) [B41041A7226M8](#) [B41044A7157M6](#) [EKRG250ELL100MD07D](#) [EKXG201EC3101ML20S](#)
[EKXG351ETD6R8MJ16S](#) [EKZM160ETD471MHB5D](#) [EPA-201ELL151MM25S](#) [NCD681K10KVY5PF](#) [NRLF103M25V35X20F](#)
[KM4700/16](#) [KME50VB100M-8X11.5](#) [RXJ222M1EBK-1625](#) [SG220M1CSA-0407](#) [ES5107M016AE1DA](#) [ESX472M16B](#) [MAL211929479E3](#)
[40D506F050DF5A](#) [TE1202E](#) [36DA273F050BB2A](#) [KME25VB100M-6.3X11](#) [511D336M250EK5D](#) [511D337M035CG4D](#)
[515D477M035CG8PE3](#) [052687X](#) [EKMA500ELL4R7ME07D](#) [EKRG100ETC221MF09D](#) [NRE-S560M16V6.3X7TBSTF](#)
[ERZA630VHN182UP54N](#) [MAL214099813E3](#) [MAL211990518E3](#) [MAL204281229E3](#) [NEV680M35EF](#) [686KXM050M](#) [ERS1VM222L30OT](#)
[EGW2GM150W16OT](#) [EGS2GM6R8G12OC](#) [EHS2GM220W20OT](#) [ERF1VM222L30OT](#) [ERF1KM151G20OT](#) [EKZE500ELL101MHB5D](#)
[EKMM251VSN221MP25S](#) [RGA221M1HBK-1016G](#)