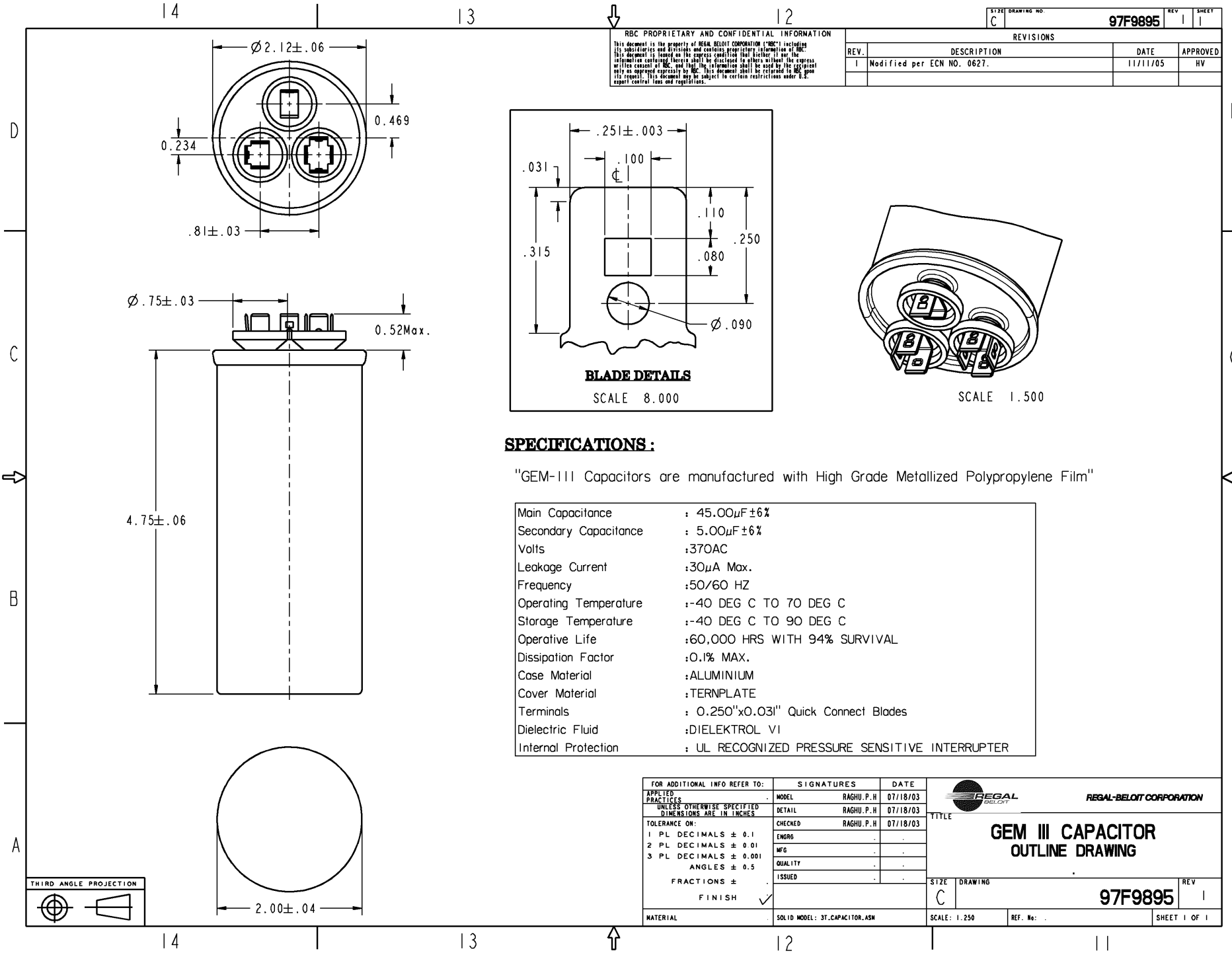


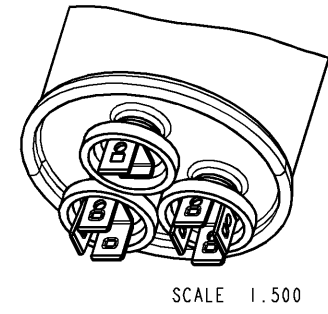
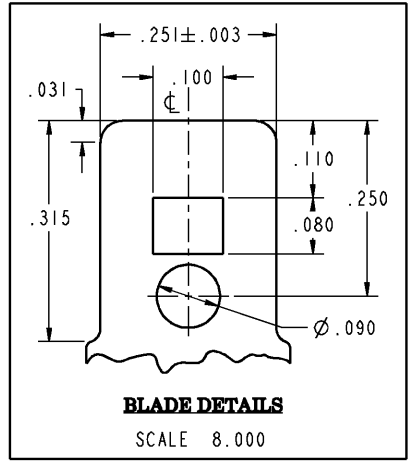
NAME: 501221413 OBJECT: 3T_CAPACITOR_ASM DATE: 06-Dec-05 12:38:03



SIZE C DRAWING NO. 97F9895 REV 1 SHEET 1

RBC PROPRIETARY AND CONFIDENTIAL INFORMATION
 This document is the property of REGAL-BELOIT CORPORATION ("RBC") including its subsidiaries and divisions and contains proprietary information of RBC. This document is loaned on the express condition that neither it nor the information contained hereon shall be disclosed in whole or in part without the express written consent of RBC, and that the information shall be used by the recipient only as approved expressly by RBC. This document shall be returned to RBC upon its request. This document may be subject to certain restrictions under U.S. export control laws and regulations.

REVISIONS			
REV.	DESCRIPTION	DATE	APPROVED
1	Modified per ECN NO. 0627.	11/11/05	HV



SPECIFICATIONS :

"GEM-III Capacitors are manufactured with High Grade Metallized Polypropylene Film"

Main Capacitance	: 45.00μF ±6%
Secondary Capacitance	: 5.00μF ±6%
Volts	: 370AC
Leakage Current	: 30μA Max.
Frequency	: 50/60 HZ
Operating Temperature	: -40 DEG C TO 70 DEG C
Storage Temperature	: -40 DEG C TO 90 DEG C
Operative Life	: 60,000 HRS WITH 94% SURVIVAL
Dissipation Factor	: 0.1% MAX.
Case Material	: ALUMINIUM
Cover Material	: TERNPLATE
Terminals	: 0.250"x0.031" Quick Connect Blades
Dielectric Fluid	: DIELEKTROL VI
Internal Protection	: UL RECOGNIZED PRESSURE SENSITIVE INTERRUPTER

FOR ADDITIONAL INFO REFER TO:	SIGNATURES	DATE
APPLIED PRACTICES	MODEL RAGHU.P.H	07/18/03
UNLESS OTHERWISE SPECIFIED DIMENSIONS ARE IN INCHES	DETAIL RAGHU.P.H	07/18/03
TOLERANCE ON:	CHECKED RAGHU.P.H	07/18/03
1 PL DECIMALS ± 0.1	ENGRG	
2 PL DECIMALS ± 0.01	MFG	
3 PL DECIMALS ± 0.001	QUALITY	
ANGLES ± 0.5	ISSUED	
FRACTIONS ±		
FINISH	✓	
MATERIAL	SOLID MODEL: 3T_CAPACITOR_ASM	

REGAL-BELOIT CORPORATION

GEM III CAPACITOR OUTLINE DRAWING

SIZE C DRAWING 97F9895 REV 1

SCALE: 1.250 REF. No: SHEET 1 OF 1

X-ON Electronics

Largest Supplier of Electrical and Electronic Components

Click to view similar products for [genteq](#) manufacturer:

Other Similar products are found below :

[97F8248](#) [97F6526](#) [97F8090](#) [27L8011RR](#) [97F6535S](#) [97F6948](#) [97F8061](#) [27L1025](#) [97F8257](#) [97F8258](#) [97F8053](#) [97F9895](#) [97F8237RR](#)
[97F8040](#) [97F6606S](#) [97F9833](#) [97F8246](#) [97F8064](#) [PB400E000P370DA](#) [PB400E000S440EA](#) [97F8057](#) [97F9608](#) [97F8065](#) [M295A601632](#)
[97F6621](#) [97F5023](#) [97F9834](#) [97F9039](#) [M279A723524](#) [PB450E000S440DA](#) [97F8063](#) [97F8039](#) [97F9851](#) [97F9642](#) [97F8071](#) [97F9121](#)
[97F9043](#) [97F9037](#) [M279A723522](#) [27L6016](#) [97F8245](#) [M982706531](#) [40L3472](#) [27L6017](#) [PB250E000P440DA](#) [97F5001](#) [27L6018](#)
[M279A723523](#) [PB200E000P370CA](#) [97F8253](#)