

Control stations

Harmony

Your choice *simplified*



Simply Smart!

Leveraging
ingenuity
and intelligence
for **ease of use**

Control stations

Harmony

An extensive offer...

Backed by technological and industrial mastery of control and signalling systems, and our vast experience, the Telemecanique control station offer comprises 3 ranges: Universal - Optimum - Application specific

Robust, ergonomically designed and offering maximum installation *simplicity*, Harmony control stations offer an *extensive* choice providing the ideal solution for any application

⊕ Simplicity and speed of installation

Guaranteed time saving

- Complete pre-assembled products, ready to install
- Easy assembly by the customer using the Harmony ranges of control and signalling units
- Electrical block mounting beneath the head or in the rear of the enclosure
- Refined ergonomics

⊕ An offer unrivalled in content

Guaranteed solutions for any application

- 3 ranges **Universal** **Optimum** **Application specific**
- Plastic and metal ranges
- Maximum flexibility with either complete products or components for customer assembly

Universal range

- High performance and extensive offer
- Suitable for a wide variety of applications



	Stations XALD / XALK plastic range	Stations XAMW metal, elbowed	Stations XAPM / XAPJ die-cast metal	Stations XAPE Front plate and protective rear cover
Degree of protection	IP65 / UL (pending)	IP65 / UL (pending)	IP65 / UL type 3, 4 and 12	IP65
Number of cut-outs	1 to 5	1 to 7	XAPM = 1 to 12 / XAPJ = 1	5
Cable entries	2 (ISO 20)	From rear	Tapped for cable gland	Knock-out cable entries
Legend compatibility	All 30 x 40 mm legends	All 30 x 40 mm legends	All 30 x 40 mm legends	All 30 x 40 mm legends
Material	Polycarbonate	Aluminium alloy	Zinc or aluminium alloy	Front plate: anodised aluminium Protective rear cover: polystyrene
Colour	Light grey RAL 7035 base, Dark grey RAL 7016 lid	Light grey RAL 7035 base, Dark grey RAL 7016 or yellow RAL 1021 lid	XAPM: blue base and lid XAPJ: blue base, yellow lid	Grey
Associated Ø 22 mm range	Harmony XB5 - XB7	Harmony XB4 - XB5	Harmony XB4 - XB5	Harmony XB4 - XB5
Contact block mounting	Beneath head or in back of enclosure	Beneath head	Beneath head	Beneath head

Universal range

*High performance and extensive offer
Suitable for a wide variety of applications*

Modularity

- Wide choice of metal or plastic control stations
- Fully compatible with Harmony metal bezel (XB4) and plastic bezel (XB5 / XB7) ranges
- Perfect suitability for your needs
 - Empty enclosures for customer assembly*
 - Control stations XAL are also available as a complete, ready to use version
- 3 electrical blocks (contact or light) in a 53 mm deep station

Robustness

- Used in conjunction with Harmony XB4 range, our metal control stations in aluminium or zinc alloy, offer an "all metal" solution for unequalled robustness
- Excellent resistance to corrosion and cleaning agents

Optimum range

*Excellent price/performance ratio
Ideal for repetitive applications, small machines & simple equipment*

Economic

- Complete ready to use stations
- Empty enclosures for customer assembly*
- Legend moulded directly on pushbutton head

Simplicity

- Simple and fast installation using monolithic XB7 E control and signalling units
- Easy selection and ordering

Application specific range

Specific solutions for your most demanding applications

XALG : *For applications in severe environments*

Performance and robustness

- Empty enclosures for customer assembly*
- Mineral reinforced polyamide enclosures and stainless steel fixings to provide optimum:
 - Resistance to chemical agents (oil, detergents, chlorine, etc.)
 - High mechanical integrity (IK05)
- Tolerant of high pressure cleaning without leakage

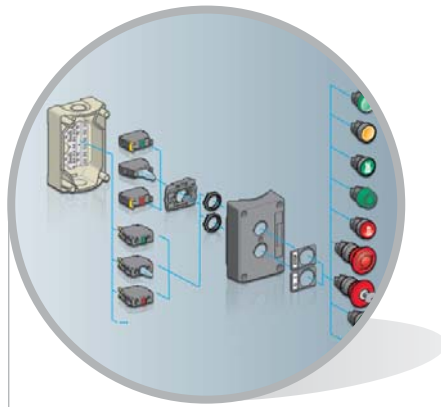
XALF : *Dedicated to lift maintenance*

Performance and safety

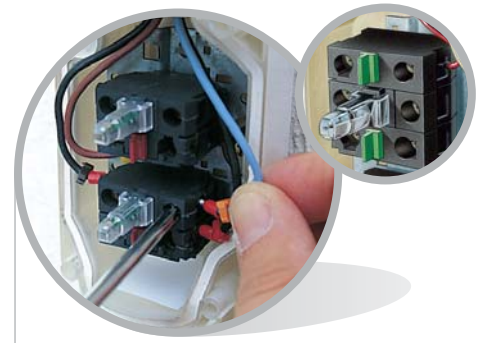
- 3 types of station: Pit switch box, hoist way box, top of car box
- Complete ready to use stations, fitted with control and signalling units from the XB5 or XB7 range
- Empty enclosures for customer assembly*
- Conformity of offer to standards EN 81, EN 418, IEC/EN 60947-1...
- Specific Emergency stops conform to standards EN 81 and EN 418
 - Latching emergency stops with trigger action
 - Signalling light and mechanical indication throughout 360° by green ring
 - Mechanical green/red flag indicator on front face

* Or by Schneider Electric on request





- Installation simplicity
- Perfect modularity
- Ready to use or for customer assembly



- Cabling simplicity
- "Rear of enclosure" mounting:
 - 1 to 3 electrical blocks per head
 - Direct access to the wiring terminal

Robustness and Safety

Guaranteed reliability in any situation

- Meets all industrial application requirements, from the most common to the most extreme
- Conformity to standards: IEC/EN 60947-1, IEC/EN 60947-5-1, IEC/EN 60947-5-4, IEC/EN 60947-5-5, IEC/EN 62208, EN 418
- International certifications: UL, CSA, CCC, GOST
- High quality material and design
- Excellent resistance to mechanical shock and vibration
- Degree of protection IP66, IP69K, UL type 4x

A selection of the most popular products. Discover the complete product range, including complete assemblies and components on www.telemecanique.com

Optimum range

- Excellent price/performance ratio
- For repetitive applications, small machines & simple equipment



Application specific range

- Specific solutions for your most demanding applications
- For applications in severe environments: **XALG**
- For lift applications: **XALF**



Stations XALE plastic range

IP54
1 to 3
4 or 6 (ISO 20)
All 30 x 40 mm legends
ABS
Light grey RAL 7035 base, Light grey RAL 7035 or yellow RAL 1021 lid (XALK)
Harmony XB7 - XB5
Beneath head

Stations XALG severe environments

IP66, IP69K
1 to 5
2 (ISO 20)
Aluminium legends (ZBYD)
Mineral reinforced polyamide
Black RAL 9005 base and lid
Harmony XB4
Beneath head

Stations XALF lift inspection

Up to IP66
1 to 5
2 (ISO 20)
Specific legends
Polycarbonate
Light grey RAL 7035 base, yellow RAL 1021 lid
Harmony XB5 - XB7
Beneath head

Degree of protection
Number of cut-outs
Cable entries
Legend compatibility
Material
Colour
Associated Ø 22 mm range
Contact block mounting

Plastic stations XALD	Empty enclosures*
1 cut-out	XALD01
2 cut-outs	XALD02
3 cut-outs	XALD03
4 cut-outs	XALD04
5 cut-outs	XALD05

Emergency stop stations XALK**	Ø 40 mm push	
Turn to release, N/C	XALK174	-
2 N/C	XALK174F	XALK178F
N/O + N/C	XALK174E	XALK178E
1 N/O + 2 N/C	XALK174G	XALK178G
Key release, N/C	XALK184	-
2 N/C	XALK184F	XALK188F
N/O + N/C	XALK184E	XALK188E
1 N/O + 2 N/C	XALK184G	XALK188G

*To order an **Emergency stop function** empty enclosure (yellow RAL 1021 lid), replace the letter "D" in the reference by the letter "K" (example: XALD01 becomes XALK01)

**Mushroom head Emergency stop buttons conform to standard IEC/EN 60947-5-5. Trigger action mushroom head Emergency stop buttons conform to standard EN 418 and Machinery directive 98/37/EC

Plastic stations XALD	Complete stations
2 Pushbuttons	
1 Flush ● 1 N/O 1 Projecting ● 1 N/C	I O XALD214
1 Flush ● 1 N/O 1 Projecting ● 1 N/C	Start Stop XALD225
1 Flush ○ 1 N/O 1 Projecting ● 1 N/O	↑ ↓ XALD222
3 Pushbuttons	
1 Flush ● 1 N/O 1 Flush ● 1 N/C 1 Pilot light ● 24V AC/DC	I O XALD363B
1 Flush ● 1 N/O 1 Flush ● 1 N/C 1 Pilot light ● 24V AC/DC	I O XALD363M
1 Flush ○ 1 N/O 1 Flush ● 1 N/C 1 Flush ● 1 N/O	↑ ↓ XALD324
1 Flush ○ 1 N/O 1 Mushroom head ● 1 N/C 1 Flush ● 1 N/O	↑ ↓ XALD328



Aluminium stations XAMW	Empty enclosures
1 cut-out	XAMWD01
2 cut-outs	XAMWD02
3 cut-outs	XAMWD03
1 cut-out (yellow lid)	XAMWK01

Die-cast metal stations XAPM and XAPJ	Empty enclosures
1 cut-out	80x80mm XAPM1201
2 cut-outs	80x130mm XAPM2202
3 cut-outs	80x130mm XAPM2203
1 cut-out (yellow lid)	80x80mm XAPJ1201

Aluminium front plate and protective rear cover XAPE	Empty enclosures	
	Front plate	Protective rear cover
1 cut-out, 72x72mm	XAPE301	XAPE901
2 cut-outs, 72x105mm	XAPE302	XAPE902
3 cut-outs, 72x138mm	XAPE303	XAPE903



Plastic stations XALE	Empty enclosures
1 cut-out	XALE1
2 cut-outs	XALE2
3 cut-outs	XALE3

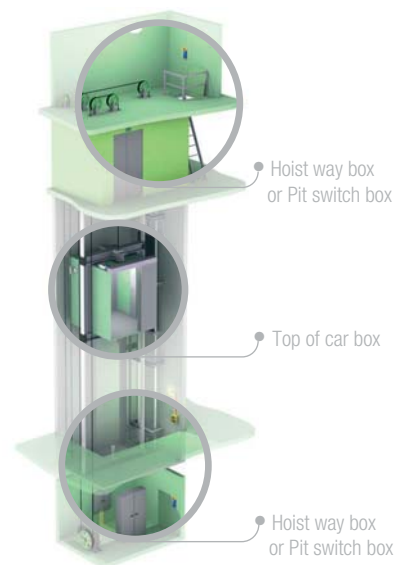
Emergency stop function XALEK	
1 Emergency stop button 1 N/C	XALEK1701



Plastic stations XALE	Complete stations
1 Pushbutton	
1 Flush ● 1 N/O	- XALE1011
1 Flush ● 1 N/C	- XALE1112
2 Pushbuttons	
1 Flush ● 1 N/O 1 Flush ● 1 N/C	Start Stop XALE2151
1 Flush ○ 1 N/O 1 Flush ● 1 N/O	→ ← XALE2231
3 Pushbuttons	
1 Flush ○ 1 N/O 1 Flush ● 1 N/O 1 Flush ● 1 N/C	↑ ↓ XALE3251
1 Flush ● 1 N/O 1 Projecting ● 1 N/C 1 Flush ● 1 N/O	I O XALE3401
1 Flush ○ 1 N/O 1 Projecting ● 1 N/C 1 Flush ● 1 N/O	→ ← XALE3351

Plastic stations, severe environment XALG	Empty enclosures
1 cut-out	XALG01
2 cut-outs	XALG02
3 cut-outs	XALG03
4 cut-outs	XALG04
5 cut-outs	XALG05

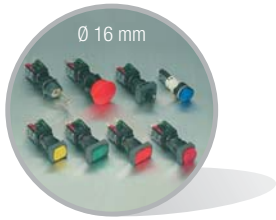
Lift inspection stations XALF	
Pit switch boxes	
1 Emergency stop ⁽¹⁾ ● 1 N/O+1 N/C	XALFKT6445
1 Emergency stop ⁽¹⁾ ● 1 N/O+1 N/C	XALFKT6445*11 ⁽²⁾
1 Flush ● 1 N/O	XALFKA2531
1 Flush ● 1 N/O	XALFKA5511
1 Flush ● 1 N/O	XALFKA2521
Hoist way boxes	
1 Emergency stop ⁽¹⁾ ● 1 N/O+1 N/C 1 Flush ● 1 N/O 1 Flush ● 1 N/O 1 Socket ● 1 N/O	XALFK3010E
Top of car boxes	
1 Emergency stop ⁽¹⁾ ● 1 N/O+1 N/C 1 Flush ● 2 N/O 1 Flush ● 1 N/O 1 Flush ● 2 N/O 1 Flush ● 1 N/O 1 Selector switches ∇ 3 N/O+3 N/C 1 Selector switches ∇ 1 N/O+1 N/C "Door"	XALFP7004E



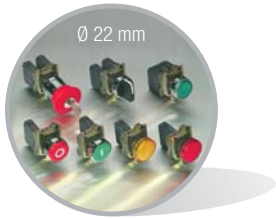
⁽¹⁾ Trigger action, with signalling light (white LED) and mechanical indication of status (EN418, EN81)

⁽²⁾ Replace the ● by the letter "B" for 24V AC/DC, "G" for 110V AC, "M" for 230V AC depending on the required supply voltage (example: XALFKT6445B11 for 24V AC/DC)

Discover the full Harmony range



Plastic bezel range XB6
Range suited to small machines and tertiary control panels



Metal bezel range XB4
Robust range suited to industrial applications



Plastic bezel range XB5
Range resistant to chemical agents and with double insulation



Plastic bezel range XB7
Monolithic offer for simple machines



9001 K & SK range
Range suited to heavy industry

- Harmony it's also a complete range of:
- Beacons and indicator banks
 - Control stations and enclosures
 - Cam switches
 - Foot switches

The efficiency of Telemecanique branded *solutions*

Used in combination, Telemecanique products provide quality solutions, meeting all your **Automation & Control** applications requirements.



A worldwide presence

Constantly available

- More than 5 000 points of sale in 130 countries.
- You can be sure to find the range of products that are right for you and which complies fully with the standards in the country where they are used.

Technical assistance wherever you are

- Our technicians are at your disposal to assist you in finding the optimum solution for your particular needs.
- Schneider Electric provides you with all necessary technical assistance, throughout the world.

www.telemecanique.com



Schneider Electric Industries SAS

Head Office
89, bd Franklin Roosevelt
92506 Rueil-Malmaison Cedex
FRANCE
www.schneider-electric.com

Owing to changes in standards and equipment, the characteristics given in the text and images in this document are not binding until they have been confirmed with us.
Design: www.blueloft.fr
Photos: Schneider Electric
Print:

Simply Smart!

Characteristics

Insulated enclosures XAP A

Material and colour			Glass-reinforced polyester, coloured grey throughout
Product certifications	Special version		CSA ENCLOSURE 4 and 5
Protective treatment	Standard version		"TC" and "TH"
Ambient air temperature	For operation	°C	- 25...+ 70
	For storage	°C	- 40...+ 70
Degree of protection	Conforming to IEC 529		IP 65
	Conforming to NF C 20-010		IP 657
Electric shock protection	Conforming to IEC 536 and NF C 20-030		Class II
Flame resistance			CSTB: M3, NF C 20-455: 850 °C, IEC 92: 960 °C, UL 94: VO
Resistance to chemical agents			Highly resistant to acids, bases, sea water, mineral salts, all solvents, petrol, diesel, oils and greases
Cable entries			Undrilled

Elbowed metal enclosures XAM W

Material and colour			Aluminium alloy XAM WD : dark grey RAL 7016 lid, light grey RAL 7035 base XAM WK01 : yellow RAL 1012 lid, light grey RAL 7035 base
Conformity to standards			IEC/EN 60947-1, IEC/EN 60947-5-1, IEC/EN 60947-5-4
Protective treatment	Standard version		"TC" and "TH"
Ambient air temperature	For operation	°C	- 25...+ 70
	For storage	°C	- 40...+ 70
Degree of protection	Conforming to IEC 529		IP 65
Electric shock protection	Conforming to IEC 536		Class I
Flame resistance			CSTB: M3, NF C 20-455: 850 °C, IEC 92: 960 °C, UL 94: VO
Resistance to chemical agents			Good resistance to organic acids, diluted mineral acids, salts, alcohol, acetone, chloride and fluoride solvents, oils and petrol
Cable entries			Via opening in rear of enclosure

Die-cast metal enclosures XAP M

Material and colour			XAP M1, M2, M3 and M4 : zinc alloy. Blue paint finish XAP M5 : aluminium alloy. Blue paint finish
Product certifications	Special version		CSA ENCLOSURE 4 and 5, UL ENCLOSURE 1, 3, 4 and 12K
Protective treatment	Standard version		"TC"
	Special version		"TH"
Ambient air temperature	For operation	°C	- 25...+ 70
	For storage	°C	- 40...+ 70
Degree of protection	Conforming to IEC 529		IP 65
	Conforming to NF C 20-010		IP 657
Electric shock protection	Conforming to IEC 536 and NF C 20-030		Class I
Resistance to chemical agents			Special treatments on request
Cable entries			Tapped entries for cable gland (see dimensions, page 35050/7)

Characteristics			
Metal enclosures XB2 S			
Material and colour			Aluminium alloy or sheet steel. Blue paint finish
Protective treatment	Standard version		"TC"
	Special version		"TH"
Ambient air temperature	For operation	°C	- 25...+ 70
	For storage	°C	- 40...+ 70
Degree of protection	Conforming to IEC 529		IP 54
	Conforming to NF C 20-010		IP 547
Electric shock protection	Conforming to IEC 536 and NF C 20-030		Class I
Resistance to chemical agents			Special treatments on request
Cable entries	XB2 S in aluminium alloy		Tapped entries for cable gland (see dimensions, page 35050/7)
	XB2 S in sheet steel		Undrilled
Flush mounting enclosures XAP E			
Material and colour			Anodised aluminium front plate. Insulated protective rear cover
Protective treatment	Standard version		"TC" and "TH"
Ambient air temperature	For operation	°C	- 25...+ 70
	For storage	°C	- 40...+ 70
Degree of protection	Conforming to IEC 529		IP 65
	Conforming to NF C 20-010		IP 657
Electric shock protection	Conforming to IEC 536 and NF C 20-030		Class I
Resistance to chemical agents			Good resistance to organic acids, diluted mineral acids, salts, alcohol, acetone, chloride and fluoride solvents, oils and petrol
Cable entries			Through rear cover: knock-out cable entries

Control stations and enclosures

Control station enclosures: insulated, metal and flush mounting

With cut-outs for Ø 22 control and signalling units



XAP A1104



XAP A2108



XAP A3116



XAM WD03



XAM WK01

References

Insulated enclosures, glass-reinforced polyester (usable depth 83 mm)

Description	Front face dimensions mm	Number of cut-outs	Number of rows		Reference	Weight kg
			Vertical	Horizontal		
Without hinges	85 x 146	1	1	1	XAP A1110	0.470
		2	1	2	XAP A1120	0.450
		4	2	2	XAP A1104	0.460
	85 x 226	8	2	4	XAP A2108	0.580
	151 x 241	16	4	4	XAP A3116	0.820
With hinges	151 x 241	16	4	4	XAP A4116	0.850
Earthing plates sheet steel with earth screw		For XAP A1110		XAP Z110	0.080	
		For XAP A1120		XAP Z120	0.070	
		For XAP A1104		XAP Z104	0.070	
		For XAP A2108		XAP Z208	0.110	
		For XAP A3116 and A4116		XAP Z316	0.160	

Elbowed metal enclosures for mounting on vertical support

Description	Colour	Number of cut-outs	Reference	Weight kg
Elbowed enclosures metal	Dark grey lid (RAL 7016) Light grey base (RAL 7035)	1	XAM WD01	0.465
		2	XAM WD02	0.545
		3	XAM WD03	0.725
		4	XAM WD04	0.725
		5	XAM WD05	0.790
		6	XAM WD06	0.990
		7	XAM WD07	0.990
	Yellow lid (RAL 1012) Light grey base (RAL 7035)	1	XAM WK01	0.465

Other versions

Insulated and metal control station enclosures with cut-outs for Ø 30 control and signalling units.
Protective guards and fixing lugs for die-cast metal enclosures.
Insulated and metal control station enclosures pre-fitted with Ø 22 units.
Adjustable floor mounting pedestal (790 mm to 1143 mm) for sheet steel enclosures.
Please consult your Regional Sales Office.

Control stations and enclosures

Control station enclosures: insulated, metal and flush mounting

With cut-outs for Ø 22 control and signalling units

References

Description	Front face dimensions mm	Number of cut-outs	Number of rows		Reference	Weight kg
			Vertical	Horizontal		
Die-cast metal enclosures (blue lid and base)						
Zinc alloy Usable depth 49 mm	80 x 80	1	1	1	XAP M1201	0.455
		2	2	1	XAP M1202	0.450
	80 x 130	2	1	2	XAP M2202	0.610
		3	1	3	XAP M2203	0.605
		4	2	2	XAP M2204	0.600
		6	2	3	XAP M3206	0.870
	80 x 175	3	1	3	XAP M3203	0.870
		4	1	4	XAP M3204	0.880
		6	2	3	XAP M3206	0.870
Zinc alloy Usable depth 74.5 mm	80 x 80	1	1	1	XAP M1501	0.605
		2	2	1	XAP M1502	0.600
	80 x 130	2	1	2	XAP M2502	0.810
		3	1	3	XAP M2503	0.815
		4	2	2	XAP M2504	0.810
		6	2	3	XAP M3506	1.130
	80 x 175	3	1	3	XAP M3503	1.145
		4	1	4	XAP M3504	1.140
		6	2	3	XAP M3506	1.130
	80 x 220	6	1	6	XAP M4506	1.380
		8	2	4	XAP M4508	1.370
Aluminium Usable depth 74.5 mm	85 x 310	8	1	8	XAP M5508	0.810
		12	2	6	XAP M5512	0.790
Aluminium Usable depth 78 mm	150 x 150	6	3	2	XB2 SL32009	0.970
		8	4	2	XB2 SL42009	0.960

Die-cast metal enclosures (yellow lid, blue base)

Zinc alloy Usable depth 49 mm	80 x 80	1	1	1	XAP J1201	0.455
Zinc alloy Usable depth 74.5 mm	80 x 80	1	1	1	XAP J1501	0.605

Sheet steel enclosures

Usable depth 115 mm	200 x 200	8	4	2	XB2 SL42007	3.100
	200 x 260	16	4	4	XB2 SL44007	3.900
	260 x 260	24	6	4	XB2 SL64007	4.700
	260 x 320	30	6	5	XB2 SL65007	5.500
	320 x 320	40	8	5	XB2 SL85007	6.200

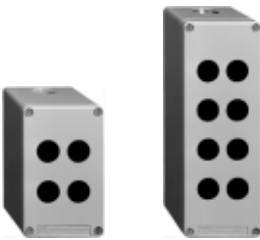
Other versions

Insulated and metal control station enclosures with cut-outs for Ø 30 control and signalling units.
Protective guards and fixing lugs for die-cast metal enclosures.
Insulated and metal control station enclosures pre-fitted with Ø 30 units.
Adjustable floor mounting pedestal (790 mm to 1143 mm) for sheet steel enclosures.
Please consult your Regional Sales Office.



XAP M1202

XAP M2203



XAP M2504

XAP M4508



XB2 SL42007



XB2 SL64007

Control stations and enclosures

Control station enclosures: insulated, metal and flush mounting

Undrilled or with cut-outs for Ø 22 control and signalling units

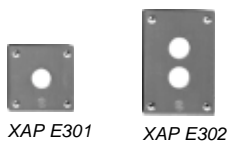


XAP A3100



XAP M11

XAP M31



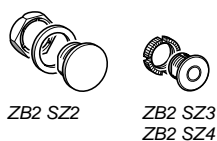
XAP E301

XAP E302



XAP E303

XAP E305



ZB2 SZ2

ZB2 SZ3

ZB2 SZ4

References

Insulated enclosures, undrilled

Description		Front face dimensions (mm)	Reference	Weight kg
Usable depth 83 mm	Without hinges	85 x 146	XAP A1100	0.470
		85 x 226	XAP A2100	0.600
	With hinges	151 x 241	XAP A3100	0.860
		151 x 241	XAP A4100	0.890
Earthing plates with earth screw	For XAP A1100	–	XAP Z100	0.080
	For XAP A2100	–	XAP Z200	0.130
	For XAP A3100 and A4100	–	XAP Z300	0.200

Die-cast metal enclosures, undrilled

Description	Material	Front face dimensions (mm)	Reference	Weight kg
Blue lid and base	Zinc alloy Usable depth 49 mm	80 x 80	XAP M11	0.460
		80 x 130	XAP M21	0.620
		80 x 175	XAP M31	0.900
	Zinc alloy Usable depth 74.5 mm	80 x 80	XAP M14	0.610
		80 x 130	XAP M24	0.830
		80 x 175	XAP M34	1.160
Yellow lid, blue base	Aluminium Usable depth 74.5 mm	80 x 220	XAP M44	1.410
		85 x 310	XAP M54	0.850
	Aluminium Usable depth 78 mm	150 x 150	XB2 SA220095	0.970
		80 x 80	XAP J11	0.460
		80 x 80	XAP J14	0.610
		80 x 175	XAP J34	1.160

Flush mounting enclosures for Ø 22 control and signalling units

Description	Material	Number of cut-outs	Front face dimensions (mm)	Reference	Weight kg
Front plates with fixing screws	Aluminium, anodised	1	72 x 72	XAP E301	0.050
		2	72 x 105	XAP E302	0.075
		3	72 x 138	XAP E303	0.095
		4	72 x 171	XAP E304	0.115
		5	72 x 204	XAP E305	0.135
Protective rear covers	Insulated		For front plate XAP E301	XAP E901	0.040
			For front plate XAP E302	XAP E902	0.050
			For front plate XAP E303	XAP E903	0.060
			For front plate XAP E304	XAP E904	0.070
			For front plate XAP E305	XAP E905	0.080

Separate components

Description		Colour	Unit reference	Weight kg
Blanking plugs with seal and fixing nut for cut-outs Ø 22.3 ^{+0.4} mm	Insulated	Black	ZB2 SZ3	0.005
		Grey	ZB2 SZ4	0.005
		Metal	Blue	ZB2 SZ2
Seal (IP 65 degree of protection) (sold in lots of 7)	For mounting Ø 22 control and signalling units in XAM W enclosures		ZB2 BZ004	0.001

Other versions

Protective guards and fixing lugs for metal enclosures.
Flush mounting enclosures, undrilled or with Ø 30 cut-outs.
Flush mounting enclosures pre-fitted with Ø 22 units.
Please consult your Regional Sales Office.

Control stations and enclosures

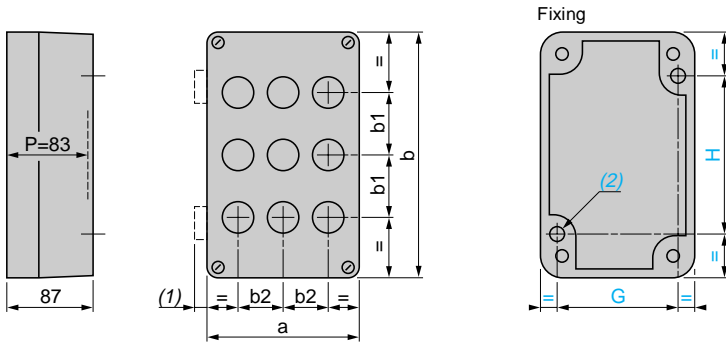
Control station enclosures: insulated, metal and flush mounting

With cut-outs for $\varnothing 22$ control and signalling units

Dimensions

Insulated enclosures with cut-outs

XAP A



XAP	a	b	b1	b2	G	H
A1110	85	146	-	-	70	105
A1120	85	146	40	-	70	105
A1104	85	146	40	30	70	105
A2108	85	226	40	30	70	180
A3116, A4116	151	241	40	30	135	200

Drill cable entries to suit.

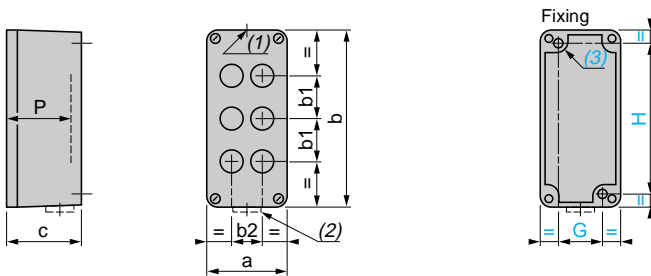
(1) 11 mm for XAP A4... enclosures with hinges.

(2) 2 x $\varnothing 5.6$ holes, depth 12.

P = Usable depth

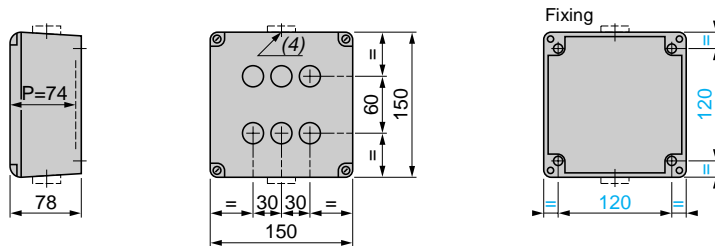
Die-cast metal enclosures with cut-outs

XAP J, XAP M

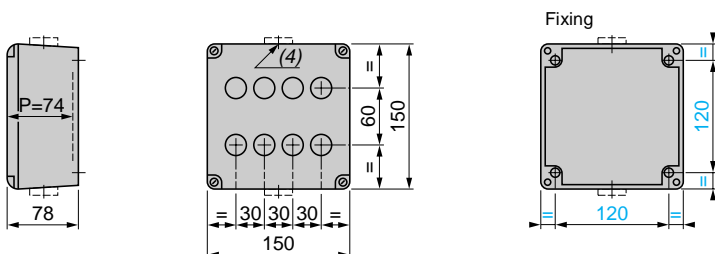


XAP	a	b	b1	b2	c	G	H	P
J1201	80	80	-	-	51.5	50	65	49
J1501	80	80	-	-	77	50	65	74.5
M1201, M1202	80	80	-	-	51.5	50	65	49
M1501	80	80	-	-	77	50	65	74.5
M1502	80	80	-	30	77	50	65	74.5
M2202	80	130	40	-	51.5	50	115	49
M2203	80	130	30	-	51.5	50	115	49
M2204	80	130	40	30	51.5	50	115	49
M2502	80	130	40	-	77	50	115	74.5
M2503	80	130	30	-	77	50	115	74.5
M2504	80	130	40	30	77	50	115	74.5
M3203	80	175	40	-	51.5	50	160	49
M3204	80	175	30	-	51.5	50	160	49
M3206	80	175	40	30	51.5	50	160	49
M3503	80	175	40	-	77	50	160	74.5
M3504	80	175	30	-	77	50	160	74.5
M3506	80	175	40	30	77	50	160	74.5
M4506	80	220	30	-	77	50	205	74.5
M4508	80	220	40	30	77	50	205	74.5
M5508	85	310	30	-	77	55	295	74.5
M5512	85	310	40	30	77	55	295	74.5

XB2 SL32009



XB2 SL42009



(1) 1 hole, without blanking plug, for cable gland with 14 mm maximum clamping capacity, except:

- XAP M3...: maximum capacity 18 mm,
- XAP M5...: maximum capacity 24 mm.

(2) 1 hole, with blanking plug (protrusion 6 mm), for cable gland with 14 mm maximum clamping capacity, except:

- XAP M3...: maximum capacity 18 mm,
- XAP M4... and XAP M5...: undrilled.

(3) 2 x $\varnothing 5.6$ holes, depth 20.

(4) 2 holes, with blanking plugs (protrusion 7.5 mm), for cable glands with 12 mm maximum clamping capacity.

P = Usable depth

Control stations and enclosures

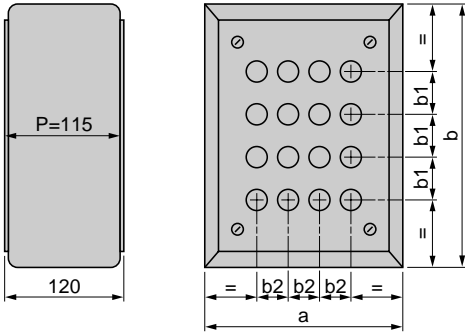
Control station enclosures: insulated, metal and flush mounting

Undrilled or with cut-outs for Ø 22 control and signalling units

Dimensions

Sheet steel enclosures

XB2 SL

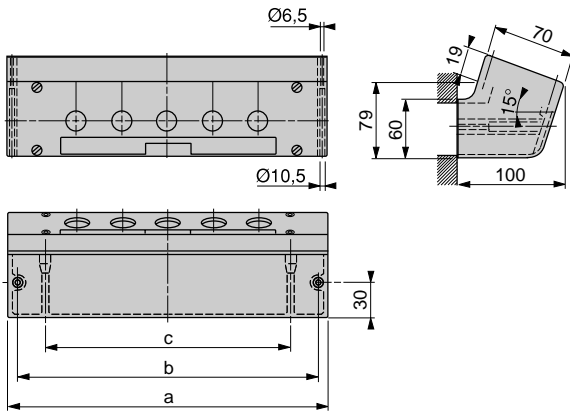


XB2	a	b	b1	b2
SL42007	200	200	40	30
SL44007	200	260	40	30
SL64007	260	260	40	30
SL65007	260	320	40	30
SL85007	320	320	40	30

Enclosures supplied without fixing points or cable entries. In both cases drill to suit. The depth of the enclosures enables all types of Ø 22 units to be mounted. P = Usable depth

Elbowed enclosures

XAM W●

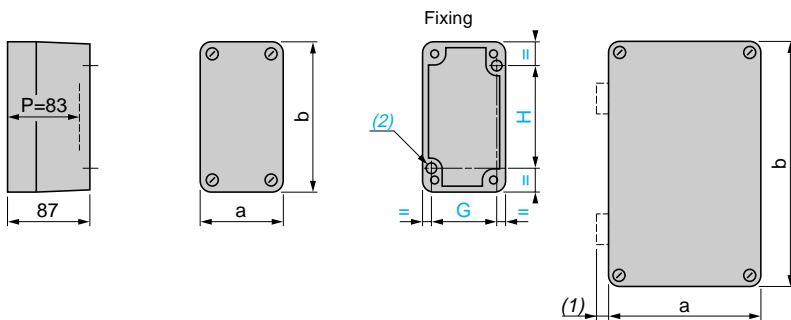


	a	b	c
XAM WD01	90	74	50
XAM WD02	135	119	95
XAM WD03	180	164	140
XAM WD04	180	164	140
XAM WD05	225	209	185
XAM WD06	290	274	230
XAM WD07	290	274	230
XAM WK01	90	74	50

Insulated enclosures, undrilled

XAP A1100, XAP A2100

XAP A3100, XAP A4100



XAP	a	b	G	H
A1110	85	146	70	105
A2100	85	226	70	180
A3100	151	241	135	200
A4100	151	241	135	200

Drill cable entries to suit.

(1) 11 mm for XAP A4●●● enclosures with hinges.

(2) 2 x Ø 5.6 holes, depth 12.

P = Usable depth

Control stations and enclosures

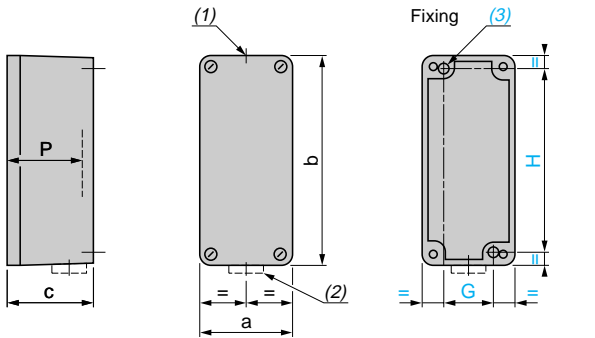
Control station enclosures: insulated, metal and flush mounting

Undrilled or with cut-outs for Ø 22 control and signalling units

Dimensions

Die-cast metal enclosures, undrilled

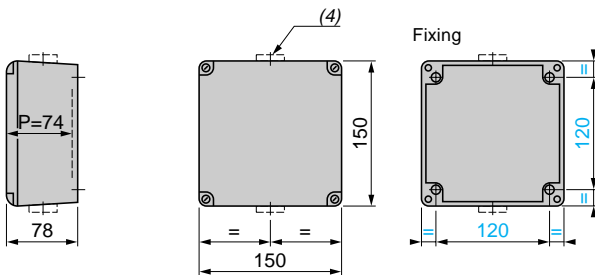
XAP J●●, XAP M●●



XAP	a	b	c	G	H	P
J11	80	80	51.5	50	65	49
J14	80	80	77	50	65	74.5
J34	80	175	77	50	160	74.5
M11	80	80	51.5	50	65	49
M14	80	80	77	50	65	74.5
M21	80	130	51.5	50	115	49
M24	80	130	77	50	115	74.5
M31	80	175	51.5	50	160	49
M34	80	175	77	50	160	74.5
M44	80	220	77	50	205	74.5
M54	85	310	77	55	295	74.5

- (1) 1 hole, without blanking plug, for cable gland with 14 mm maximum clamping capacity, except:
 - XAP J34, M31, M34 and M44: maximum capacity 18 mm,
 - XAP M54: maximum capacity 24 mm.
 - (2) 1 hole, with blanking plug (protrusion 6 mm), for cable gland with 14 mm maximum clamping capacity, except:
 - XAP J34, M31 and M34: maximum capacity 18 mm,
 - XAP M44, M54: undrilled.
 - (3) 2 x Ø 5.6 holes, depth 20.
 - (4) 2 holes, with blanking plug (protrusion 7.5 mm), for cable glands with 12 mm maximum clamping capacity.
- P = Usable depth

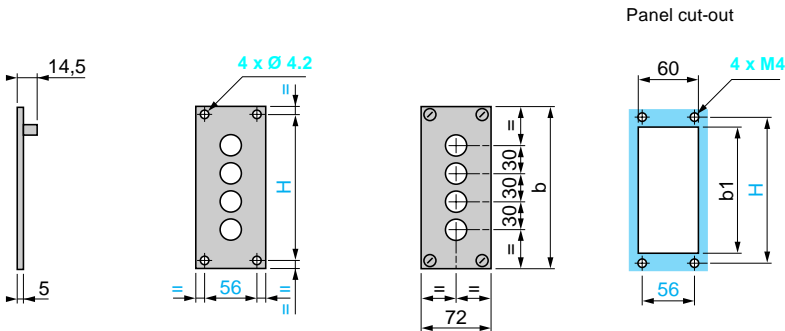
XB2 SA220095



Flush mounting enclosures

XAP E30●

Front plates with cut-outs for Ø 22 control and signalling units

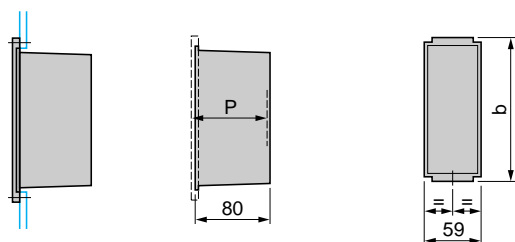


For Ø 22 control and signalling units

Front plate

XAP	b	b1	H
E301	72	44	56
E302	105	77	89
E303	138	110	122
E304	171	143	155
E305	204	176	188

Mounting of front plate and protective rear cover on support panel



Protective rear cover for front plate XAP E30●

XAP	b	P
E901	52	82.5
E902	85	82.5
E903	118	82.5
E904	151	82.5
E905	184	82.5

P = Usable depth

X-ON Electronics

Largest Supplier of Electrical and Electronic Components

Click to view similar products for [schneider](#) manufacturer:

Other Similar products are found below :

[LU9M1](#) [7D](#) [7S](#) [7XA1](#) [FNQR2](#) [8501RS44V24](#) [8501RSD14P14V51](#) [8501XO20V03Y414](#) [9001KXRK](#) [9001SKR9P35RH25](#) [9001SKT35L31](#)
[9003K2C003GA](#) [9007AA1](#) [9007BA1](#) [9007C54D](#) [9007C62A2](#) [9007CA11](#) [9007FA3](#) [9007HA4](#) [9007HA6](#) [9007KA1](#) [9007KB11](#)
[9007MS01S0206](#) [9007MS02S0300](#) [9012GAR4](#) [9012GAW2](#) [9012GBW1](#) [9012GDW5E3](#) [9012GFW1](#) [9012GNG1](#) [9012GNG3](#) [9012GNG6](#)
[9013FHG39J69](#) [9013GHG2J30](#) [9050JCK2F30V14](#) [GV2ME04](#) [GV2ME10](#) [GV2ME14](#) [GV2ME20](#) [GV2ME32](#) [GV2P06](#) [GV2P08](#) [GV2P10](#)
[GV2P16](#) [GV2P20](#) [GV2P21](#) [GV2RT07](#) [GV2RT21](#) [GVAD1001](#) [GVAN11](#)