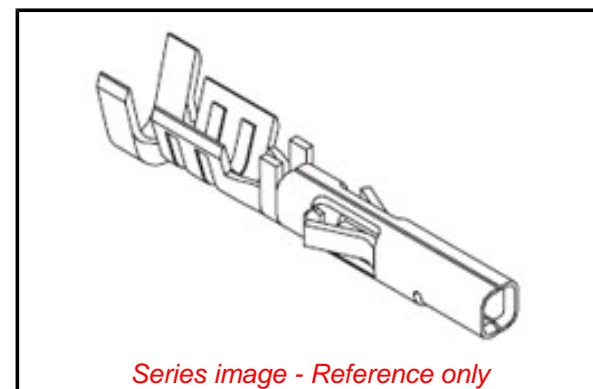


**PLEASE CHECK WWW.MOLEX.COM FOR LATEST PART INFORMATION**

**Part Number:** **0430300006**  
**Status:** **Active**  
**Overview:** Micro-Fit 3.0™ Connectors  
**Description:** Micro-Fit 3.0™ Crimp Terminal, Female, with Select Gold (Au) Plated Phosphor Bronze Contact, 26-30 AWG, Reel

**Documents:**

<a href="#">3D Model</a>	<a href="#">Test Summary TS-43045-002 (PDF)</a>
<a href="#">Drawing (PDF)</a>	<a href="#">RoHS Certificate of Compliance (PDF)</a>
<a href="#">Product Specification PS-43045 (PDF)</a>	<a href="#">Product Literature (PDF)</a>



**General**

Product Family	Crimp Terminals
Series	<u>43030</u>
Application	Power
Crimp Quality Equipment	Yes
Overview	<u>Micro-Fit 3.0™ Connectors</u>
Packaging Alternative	<u>43030-0012 (Loose)</u>
Product Literature Order No	987650-5984
Product Name	Micro-Fit 3.0™
UPC	800754320993

**Physical**

Gender	Female
Material - Metal	Phosphor Bronze
Material - Plating Mating	Gold
Material - Plating Termination	Tin
Net Weight	0.089/g
Packaging Type	Reel
Plating min - Mating	0.762µm
Plating min - Termination	2.540µm
Termination Interface: Style	Crimp or Compression
Wire Insulation Diameter	1.27mm max.
Wire Size AWG	26, 28, 30
Wire Size mm²	N/A

**Electrical**

Current - Maximum per Contact	5.0A
-------------------------------	------

**Solder Process Data**

Lead-free Process Capability	N/A
------------------------------	-----

**Material Info**

**Reference - Drawing Numbers**

Product Specification	PS-43045, RPS-43045-003, RPS-43045-004
Sales Drawing	SD-43030-****
Test Summary	TS-43045-002

**EU ELV**

**Not Relevant**

**EU RoHS**

**Compliant**

**China RoHS**

**REACH SVHC**

Not Contained Per  
-ED/79/2015 (17  
December 2015)

**Halogen-Free**

**Status**

**Low-Halogen**

**Need more information on product environmental compliance?**

Email [productcompliance@molex.com](mailto:productcompliance@molex.com)  
Please visit the [Contact Us](#) section for any non-product compliance questions.

China ROHS  
ELV

Green Image  
Not Relevant

**Search Parts in this Series**

43030 Series

**Mates With**

43031 Micro-Fit 3.0™ Male Crimp Terminals

**Use With**

43025 , 43645 Micro-Fit 3.0™ Receptacle Housings, 44133 Micro-Fit BMI™ Panel Mount Receptacle Housings

**Application Tooling | FAQ**

*Tooling specifications and manuals are found by selecting the products below. Crimp Height Specifications are then contained in the Application Tooling Specification document.*

**Global**

**Description**

**Product #**

Insertion Tool for  
Crimp Terminal

0638120800

Extraction Tool	<u>0011030043</u>
Hand Crimp Tool	<u>0638190000</u>
T2 Terminator™	<u>0639104400</u>

for insulation OD  
1.12-1.27mm - 26-30  
AWG

FineAdjust™	<u>0639001600</u>
-------------	-------------------

Applicator for  
Insulation OD  
0.63-1.10mm, 26-30  
AWG

FineAdjust™	<u>0639004400</u>
-------------	-------------------

Applicator for  
Insulation OD  
1.12-1.27mm, 26-30  
AWG Wire

**Japan**

<b>Description</b>	<b>Product #</b>
--------------------	------------------

Applicator for M21 1A	<u>0572983000</u>
-----------------------	-------------------

Bench Press, 20-30

AWG Wire

This document was generated on 01/28/2016

**PLEASE CHECK [WWW.MOLEX.COM](http://WWW.MOLEX.COM) FOR LATEST PART INFORMATION**

## X-ON Electronics

Largest Supplier of Electrical and Electronic Components

*Click to view similar products for [molex](#) manufacturer:*

Other Similar products are found below :

[1201140065](#) [90814-0008](#) [38210-0105](#) [60506-C-50](#) [69008-0971](#) [73108](#) [79516-1043](#) [72903](#) [1062837003](#) [0533241060](#) [68301-1017](#)  
[03-12-1016](#) [71506-C](#) [90835-0003](#) [02-09-8104](#) [880504](#) [67490-3220](#) [387790039](#) [53254-0710](#) [85071-0017](#) [70984-4008](#) [387204903](#)  
[03-12-2022](#) [783472003](#) [89674-0805](#) [514412093](#) [0026482195](#) [0191310031](#) [503308-4410](#) [02-09-6102](#) [0008650814](#) [0039000218](#) [89762-1403](#)  
[89762-1542](#) [89762-1582](#) [0011404526](#) [00136](#) [0022173102](#) [0026615060](#) [CR4006A30M003](#) [0039532085](#) [58098-0628](#) [0003092041](#)  
[0008520123](#) [0011030025](#) [0011184017](#) [0022162060](#) [0022552102](#) [01312](#) [M15730061](#)