

SHIELDED MODULAR JACK SHOWN WITH PANEL GROUND OPTION 'D' AND FRONT PCB GROUND TABS.

NOTES:

- 1) MATERIAL:  
 HOUSING: NYLON(PA), GLASS FILLED, UL94V-0, COLOR: SEE SHEETS 5 AND 6  
 INSULATOR: NYLON(PA), GLASS FILLED, UL94V-0, COLOR: SEE SHEETS 5 AND 6  
 TERMINALS: PHOSPHOR BRONZE, .012/ 0.30 THICK  
 SHIELD: BRASS, .007/ 0.18 THICK
- 2) FINISH:  
 TERMINALS:  
 A = SELECT GOLD IN CONTACT AREA: 50 MICROINCHES / 1.27 MICROMETERS MIN.,  
 \*SELECT TIN IN PC TAIL AREA: 100 MICROINCHES / 2.54 MICROMETERS MIN.,  
 WITH OVERALL NICKEL UNDERPLATE: 50 MICROINCHES / 1.27 MICROMETERS MIN.  
 B = SELECT GOLD IN CONTACT AREA: 30 MICROINCHES / 0.76 MICROMETERS MIN.,  
 \*SELECT TIN IN PC TAIL AREA: 100 MICROINCHES / 2.54 MICROMETERS MIN.,  
 WITH OVERALL NICKEL UNDERPLATE: 50 MICROINCHES / 1.27 MICROMETERS MIN.  
 \*THE PRIMARY SHIPPING CARTON WILL BE LABELED "COMPLIANT TO RoHS DIRECTIVE 2002/95/EC AND ELV ANNEX II OF DIRECTIVE 2000/53/EC".  
 CARTONS WITHOUT THIS LABEL MAY CONTAIN PRODUCT WITH TIN-LEAD IN THE PC TAILS AND/OR SHIELD.
- SHIELD:  
 100 MICROINCHES / 2.54 MICROMETERS NICKEL OVER 50 MICROINCHES / 1.27 MICROMETERS COPPER UNDERPLATE PCB GROUND TABS DIPPED IN TIN
- 3) PRODUCT SPECIFICATION AND PROCESSING PARAMETERS: PS-43202.
- 4) PACKAGING SPECIFICATION:  
 UNSHIELDED CONNECTOR ASSEMBLIES PACKAGED IN THERMOFORMED TRAYS PER MOLEX PACKAGING SPECIFICATION PK-43202-003.  
 UNSHIELDED CONNECTOR ASSEMBLIES PACKAGED IN TUBES PER MOLEX PACKAGING SPECIFICATION PK-43202-005.  
 SHIELDED CONNECTOR ASSEMBLIES PACKAGED IN THERMOFORMED TRAYS PER MOLEX PACKAGING SPECIFICATION PK-43202-004.
- 5) SEE SHEETS 7 - 9 FOR P.C. BOARD LAYOUTS.
- 6) CONFORMS TO FCC REGULATION PART 68.5 FOR MODULAR JACKS.
- 7) THIS PART CONFORMS TO CLASS B REQUIREMENTS OF COSMETIC SPECIFICATION PS-45499-002.

|    |     |
|----|-----|
| 9  | L2  |
| 8  | L2  |
| 7  | L2  |
| 6  | L4  |
| 5  | L   |
| 4  | K2  |
| 3  | L1  |
| 2  | L1  |
| 1  | L4  |
| SH | REV |

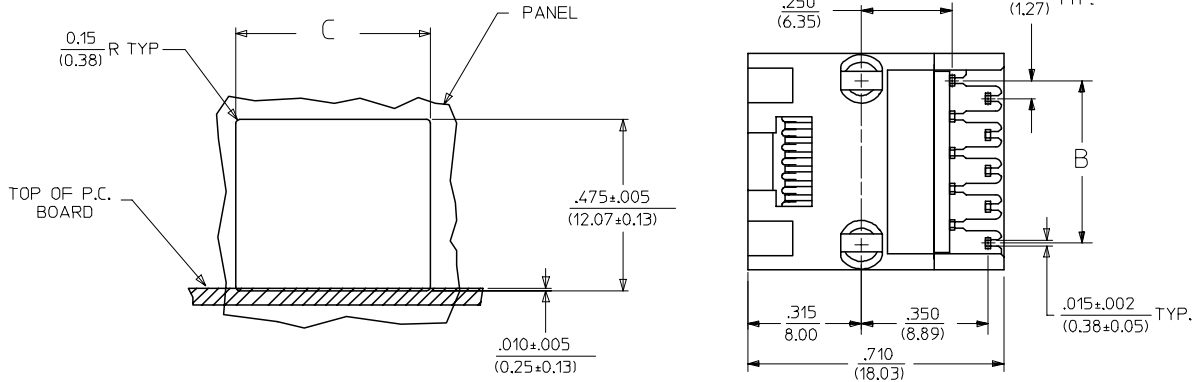
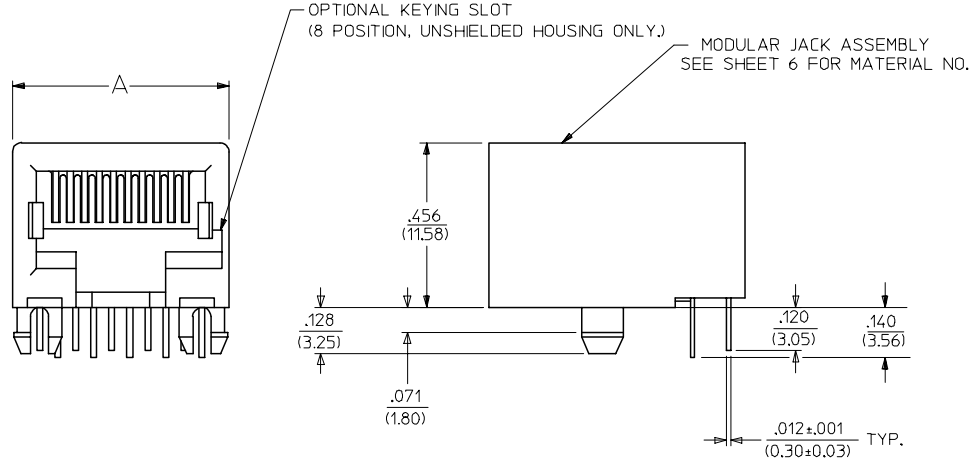
DRAWING LEGEND

- SHEET 1- NOTES, DRAWING LEGEND
- SHEET 2- SHIELDED MODULAR JACK W/ BOTTOM GROUND TABS
- SHEET 3- SHIELDED MODULAR JACK W/O BOTTOM GROUND TABS
- SHEET 4- UNSHIELDED MODULAR JACK
- SHEET 5- PART NUMBER CHARTS
- SHEET 6- PART NUMBER CHARTS
- SHEET 7- FOOTPRINT LAYOUT FOR 4 POSITION HOUSING
- SHEET 8- FOOTPRINT LAYOUT FOR 6 POSITION HOUSING
- SHEET 9- FOOTPRINT LAYOUT FOR 8 POSITION HOUSING

|   |  |   |                                   |  |                     |                        |  |
|---|--|---|-----------------------------------|--|---------------------|------------------------|--|
| OBS COLORED JACKS<br>EC NO: UCP2008-1189<br>DRAWN:JBELL 2007/11/30<br>CHKD:LSCHMIDT 2008/02/20<br>APPR:FSM/TH 2008/03/04      | QUALITY SYMBOLS                                      | GENERAL TOLERANCES (UNLESS SPECIFIED)   | DIMENSION STYLE                   | SCALE  | DESIGN UNITS        | THIRD ANGLE PROJECTION |  |
|   | ▼=0<br>▽=0   | mm INCH   | IN/MM                             | 4:1  | INCH                |                        |  |
|   |  | 4 PLACES ±--- ±---<br>3 PLACES ±--- ±.010<br>2 PLACES ±0.25 ±.014<br>1 PLACE ±0.36 ±--- | DRAWN BY DATE<br>JTR 1993/03/31   | TITLE<br>ULTRA LOW PROFILE<br>RIGHT ANGLE MODULAR JACK<br>ASSEMBLY |                     |                        |  |
|   |  | ANGULAR ±1/2°   | CHECKED BY DATE<br>JTR 1993/03/31 | MOLEX MOLEX INCORPORATED   |                     |                        |  |
|   | DRAFT WHERE APPLICABLE MUST REMAIN WITHIN DIMENSIONS | APPROVED BY DATE<br>RAS 1993/03/31  | MATERIAL NO.                      | DOCUMENT NO.   | SHEET NO.<br>1 OF 9 |                        |  |
| L4  | REV  | SEE SHTS 5&6 SDA-43202  |                                   |  |                     |                        |  |
| THIS DRAWING CONTAINS INFORMATION THAT IS PROPRIETARY TO MOLEX INCORPORATED AND SHOULD NOT BE USED WITHOUT WRITTEN PERMISSION |  |   |                                   |  |                     |                        |  |

# UNSHIELDED MODULAR JACKS

SIZE 8, LOADED 10 SHOWN



PANEL CUT-OUT (UNSHIELDED)

| HOUSING SIZE | LOADED CIRCUITS | A               | B                         | C                         |
|--------------|-----------------|-----------------|---------------------------|---------------------------|
| C            | 4               | .440<br>(11.18) | .150±.005<br>(3.81±0.13)  | .460±.005<br>(11.68±0.13) |
|              | 2               | .440<br>(11.18) | .050±.005<br>(1.27±0.13)  | .460±.005<br>(11.68±0.13) |
|              | 6               | .520<br>(13.21) | .250±.005<br>(6.35±0.13)  | .540±.005<br>(13.72±0.13) |
| B            | 6               | .520<br>(13.21) | .150±.005<br>(3.81±0.13)  | .540±.005<br>(13.72±0.13) |
|              | 2               | .520<br>(13.21) | .050±.005<br>(1.27±0.13)  | .540±.005<br>(13.72±0.13) |
|              | 8               | .600<br>(15.24) | .450±.005<br>(11.43±0.13) | .620±.005<br>(15.75±0.13) |
| A            | 8               | .600<br>(15.24) | .350±.005<br>(8.89±0.13)  | .620±.005<br>(15.75±0.13) |
|              | 6               | .600<br>(15.24) | .250±.005<br>(6.35±0.13)  | .620±.005<br>(15.75±0.13) |
|              | 4               | .600<br>(15.24) | .150±.005<br>(3.81±0.13)  | .620±.005<br>(15.75±0.13) |
|              | 2               | .600<br>(15.24) | .050±.005<br>(1.27±0.13)  | .620±.005<br>(15.75±0.13) |


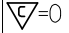

|  |                                   |   |   |  |
|--|-----------------------------------|---|---|--|
| SEE SHEET ONE<br>EC NO: UCP2004-1194<br>DRWN: SCHMIDT 2004/01/02<br>CHKD: SCHMIDT 2004/01/05<br>APPR: F SMITH 2004/01/09<br>K2 | QUALITY SYMBOLS<br>▽ - 0<br>∇ - 0 | GENERAL TOLERANCES (UNLESS SPECIFIED)<br>mm INCH<br>4 PLACES ± --- ± ---<br>3 PLACES ± --- ± .010<br>2 PLACES ± 0.25 ± .014<br>1 PLACE ± 0.36 ± ---<br>ANGULAR ± 1/2° | SCALE 4:1<br>DESIGN UNITS INCH<br>DIMENSION STYLE IN/MM   | THIRD ANGLE PROJECTION<br>REVISE ON CAD ONLY                       |
|  |                                   | DRAFT WHERE APPLICABLE<br>MUST REMAIN WITHIN DIMENSIONS   | DRAWN BY JTR DATE 1993/03/31<br>CHECKED BY JTR DATE 1993/03/31<br>APPROVED BY RAS DATE 1993/03/31 | TITLE<br>ULTRA LOW PROFILE<br>RIGHT ANGLE MODULAR JACK<br>ASSEMBLY |
|  |                                   | THIS DRAWING CONTAINS INFORMATION THAT IS PROPRIETARY TO MOLEX INCORPORATED AND SHOULD NOT BE USED WITHOUT WRITTEN PERMISSION   | MATERIAL NO. SEE SHT 6<br>DOCUMENT NO. SDA-43202<br>SHEET NO. 4 OF 9                              | MOLEX INCORPORATED   |
|  |                                   |   |   |  |

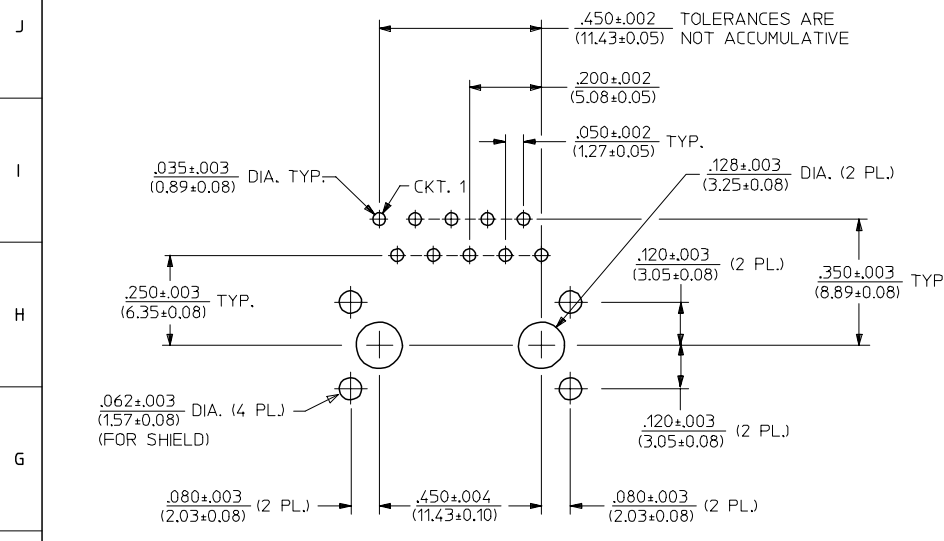
SHIELDED MODULAR JACKS W/O BOTTOM GROUND TABS (SHEET 3)

UNSHIELDED MODULAR JACKS- (SHEET 4)

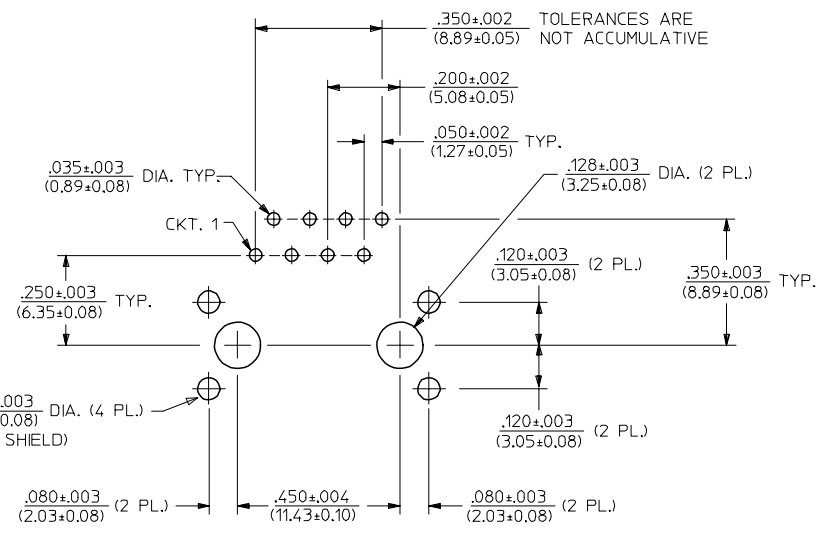
| ASSEMBLY MATERIAL NUMBER | CONNECTOR SIZE | NUMBER OF CIRCUITS | SIDE/TOP PANEL GROUND TAB OPTION | PCB GROUND TAB OPTION | TERMINAL PLATING OPTION | PACKAGING | HOUSING COLOR |
|--------------------------|----------------|--------------------|----------------------------------|-----------------------|-------------------------|-----------|---------------|
| 43202-8800               | 8              | 10                 | E                                | FRONT POSITION        | A                       | TRAY      | BLACK         |
| 43202-8801               | 8              | 10                 | F                                | FRONT POSITION        | A                       | TRAY      |               |
| 43202-8802               | 8              | 10                 | G                                | FRONT POSITION        | A                       | TRAY      |               |
| 43202-8803               | 8              | 10                 | H                                | FRONT POSITION        | A                       | TRAY      |               |
| 43202-8808               | 8              | 10                 | E                                | REAR POSITION         | A                       | TRAY      |               |
| 43202-8809               | 8              | 10                 | F                                | REAR POSITION         | A                       | TRAY      |               |
| 43202-8810               | 8              | 10                 | G                                | REAR POSITION         | A                       | TRAY      |               |
| 43202-8811               | 8              | 10                 | H                                | REAR POSITION         | A                       | TRAY      |               |
| 43202-8816               | 8              | 8                  | E                                | FRONT POSITION        | A                       | TRAY      |               |
| 43202-8817               | 8              | 8                  | F                                | FRONT POSITION        | A                       | TRAY      |               |
| 43202-8818               | 8              | 8                  | G                                | FRONT POSITION        | A                       | TRAY      |               |
| 43202-8819               | 8              | 8                  | H                                | FRONT POSITION        | A                       | TRAY      |               |
| 43202-8824               | 8              | 8                  | E                                | REAR POSITION         | A                       | TRAY      |               |
| 43202-8825               | 8              | 8                  | F                                | REAR POSITION         | A                       | TRAY      |               |
| 43202-8826               | 8              | 8                  | G                                | REAR POSITION         | A                       | TRAY      |               |
| 43202-8827               | 8              | 8                  | H                                | REAR POSITION         | A                       | TRAY      |               |

| ASSEMBLY MATERIAL NUMBER | CONNECTOR SIZE | NUMBER OF CIRCUITS | TERMINAL PLATING OPTION | KEYING OPTION | PACKAGING OPTION | HOUSING COLOR |
|--------------------------|----------------|--------------------|-------------------------|---------------|------------------|---------------|
| 43202-4101               | 4              | 4                  | A                       | NO            | TRAY             | BLACK         |
| 43202-4104               | 4              | 2                  | A                       | NO            | TRAY             |               |
| 43202-6101               | 6              | 6                  | A                       | NO            | TRAY             |               |
| 43202-6102               | 6              | 6                  | B                       | NO            | TRAY             |               |
| 43202-6104               | 6              | 4                  | A                       | NO            | TRAY             |               |
| 43202-6105               | 6              | 4                  | B                       | NO            | TRAY             |               |
| 43202-6107               | 6              | 2                  | A                       | NO            | TRAY             |               |
| 43202-6110               | 6              | 6                  | B                       | NO            | TUBE             |               |
| 43202-8101               | 8              | 10                 | A                       | NO            | TRAY             |               |
| 43202-8104               | 8              | 8                  | A                       | NO            | TRAY             |               |
| 43202-8105               | 8              | 8                  | B                       | NO            | TRAY             |               |
| 43202-8113               | 8              | 8                  | A                       | YES           | TRAY             |               |
| 43202-8116               | 8              | 6                  | A                       | NO            | TRAY             |               |
| 43202-8119               | 8              | 4                  | A                       | NO            | TRAY             |               |
| 43202-8122               | 8              | 2                  | A                       | NO            | TRAY             |               |
| 43202-8504               | 8              | 8                  | A                       | NO            | TUBE             |               |
| 43202-8513               | 8              | 8                  | A                       | YES           | TUBE             |               |

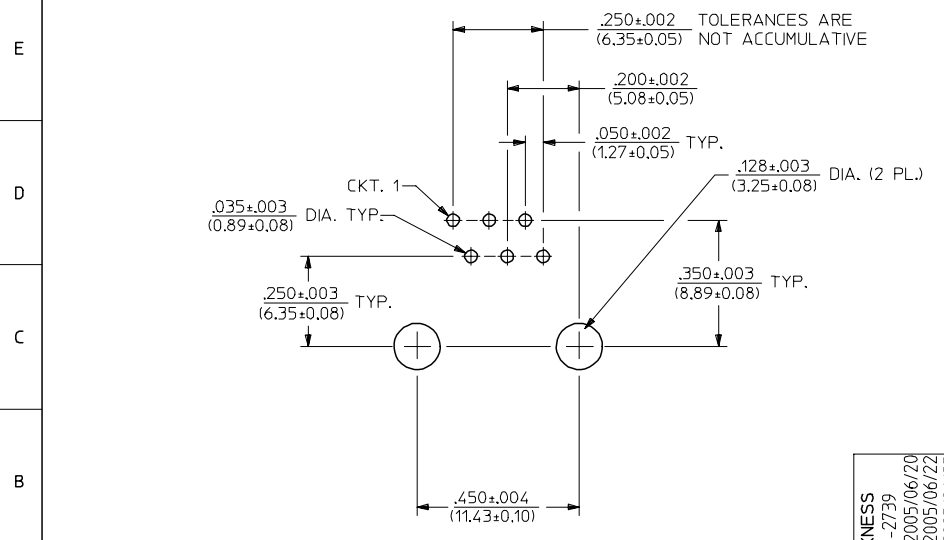
|  |   |  |                       |  |                      |                           |                      |  |  |                     |
|--|---|--|-----------------------|--|----------------------|---------------------------|----------------------|--|--|---------------------|
| <b>OBS COLORED JACKS</b><br>EC NO: UCP2008-1189<br>DRWN:JBELL 2007/11/30<br>CHKD:LSCHMIDT 2008/02/20<br>APPR:FSM1TH 2008/03/04 | QUALITY SYMBOLS<br> = 0<br> = 0.010 | GENERAL TOLERANCES (UNLESS SPECIFIED)                      |                       | DIMENSION STYLE<br>IN/MM   |                      | SCALE<br>4:1              | DESIGN UNITS<br>INCH |  THIRD ANGLE PROJECTION |  |                     |
|  |   | 4 PLACES ± --- ± ---                                       | 3 PLACES ± --- ± .010 | 2 PLACES ± 0.25 ± .014   | 1 PLACE ± 0.36 ± --- | ANGULAR ± 1/2°            | DRAWN BY<br>JBS      | DATE<br>2000/10/03   | TITLE<br>ULTRA LOW PROFILE<br>RIGHT ANGLE MODULAR JACK<br>ASSEMBLY |                     |
|  |   | APPROVED BY<br>BW  |                       | DATE<br>2000/10/03   |                      | MATERIAL NO.<br>SEE CHART |                      | DOCUMENT NO.<br>SDA-43202  |  | SHEET NO.<br>6 OF 9 |
|  |   | DRAFT WHERE APPLICABLE<br>MUST REMAIN<br>WITHIN DIMENSIONS |                       | THIS DRAWING CONTAINS INFORMATION THAT IS PROPRIETARY TO MOLEX<br>INCORPORATED AND SHOULD NOT BE USED WITHOUT WRITTEN PERMISSION |                      |                           |                      |  |  |                     |



PC BOARD LAYOUT FOR 8 POSITION HOUSING  
(10 CIRCUIT FOOTPRINT SHOWN)  
(COMPONENT SIDE OF BOARD)



PC BOARD LAYOUT FOR 8 POSITION HOUSING  
(8 CIRCUIT FOOTPRINT SHOWN)  
(COMPONENT SIDE OF BOARD)



PC BOARD LAYOUT FOR 8 POSITION HOUSING  
(6 CIRCUIT FOOTPRINT SHOWN)  
(COMPONENT SIDE OF BOARD)

NOTES:  
1. RECOMMENDED PCB THICKNESS: .062±.005/(1.57±.013)

|  |   |   |                                      |                      |   |                    |
|--|---|---|--------------------------------------|----------------------|---|--------------------|
| ADD PCB THICKNESS<br>EC NO: UCP2005-2739<br>DRAWN:LSCHMIDT 2005/06/20<br>CHKD:ELHAG 2005/06/22<br>APPR:FSMITH 2005/06/23 | QUALITY SYMBOLS   | GENERAL TOLERANCES (UNLESS SPECIFIED)   | SCALE<br>4:1                         | DESIGN UNITS<br>INCH | THIRD ANGLE PROJECTION                                    | REVISE ON CAD ONLY |
|  | -0<br>C=0   | 4 PLACES ± --- ± ---<br>3 PLACES ± --- ± .010<br>2 PLACES ± 0.25 ± .014<br>1 PLACE ± 0.36 ± ---<br>ANGULAR ±1/2°              | DIMENSION STYLE<br>IN/MM             |                      | TITLE   |                    |
|  |   |   | DRAWN BY DATE<br>L.E.LENZ 1995/03/09 |                      | ULTRA LOW PROFILE<br>RIGHT ANGLE MODULAR JACK<br>ASSEMBLY |                    |
|  |   |   | CHECKED BY DATE<br>JTR 1995/03/09    |                      | MATERIAL NO. DOCUMENT NO.<br>SEE SHTS 5&6 SDA-43202       |                    |
| L2   | DRAFT WHERE APPLICABLE<br>MUST REMAIN WITHIN DIMENSIONS | APPROVED BY DATE<br>RAS 1995/03/09  | SHEET NO.<br>9 OF 9                  |                      | MOLEX INCORPORATED  |                    |
|  |   | THIS DRAWING CONTAINS INFORMATION THAT IS PROPRIETARY TO MOLEX INCORPORATED AND SHOULD NOT BE USED WITHOUT WRITTEN PERMISSION |                                      |                      |   |                    |

## X-ON Electronics

Largest Supplier of Electrical and Electronic Components

*Click to view similar products for [Modular Connectors / Ethernet Connectors](#) category:*

*Click to view products by [Molex](#) manufacturer:*

Other Similar products are found below :

[RJE231881317T](#) [MP1010RX-1000](#) [MP44RX-1000](#) [GAX-3-66](#) [GAX-8-62](#) [93606-0253](#) [GD-A-44](#) [GDCX-PA-66-50](#) [GDCX-PN-64](#) [GDCX-PN-66](#) [GDCX-PN-66-50](#) [GDLX-A-66](#) [GDLX-A-88](#) [GDLX-N-66](#) [GDLX-S-88K](#) [GDTX-S-88-50](#) [GDX-PA-1010](#) [GLX-N-1010M-BLK](#) [GLX-N-44M](#) [GLX-S-88M-BLK](#) [GMX-N-1010](#) [GMX-S-1010](#) [GMX-S-66](#) [GMX-SMT2-N-1010](#) [GMX-SMT2-N-64-50](#) [GMX-SMT2-S6-88](#) [GMX-SMT4-N-88](#) [GPX-2-64](#) [GRT1-BT1-5](#) [GSGX-N-2-88](#) [GSX-NS2-88-3.05](#) [GSX-NS2-88-3.05-50](#) [GSX-NS-88-3.05-30](#) [GSX-NS-88-3.05-50](#) [GSX-NS-88-3.68](#) [1-1775629-2](#) [GWLX-S-88-GR](#) [GWLX-S9-88-YG](#) [1300500326](#) [1300500227](#) [1300530003](#) [1300570002](#) [1324640-4](#) [RJ11FTVC2G](#) [RJ11FTVC2N](#) [RJFTVX2SA1G](#) [132764-001](#) [1400000](#) [1413176](#) [1413235](#)