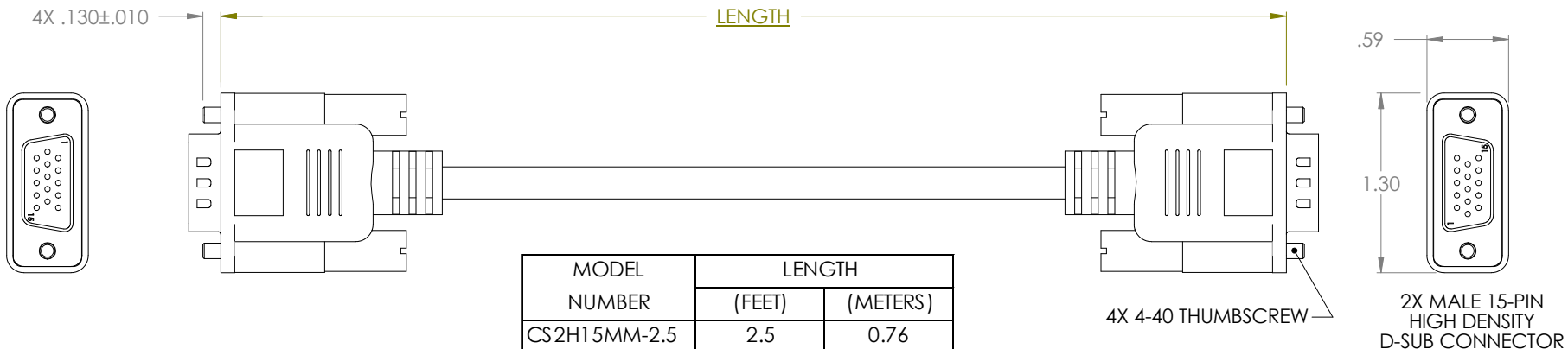


THE INFORMATION CONTAINED IN THIS DRAWING IS THE SOLE PROPERTY OF L-COM, INC. ANY REPRODUCTION IN PART OR WHOLE WITHOUT THE WRITTEN PERMISSION OF L-COM, INC. IS PROHIBITED.

REVISIONS			
REV	DESCRIPTION	DATE	APPROVED
A	RELEASED FOR PRODUCTION	10/4/01	TJC
B	REVISED DRAWING FORMAT, ADDED DIMENSIONS (ECN# 1261)	2/25/03	T CLARK
C	CHANGED COLOR OF CONNECTOR INSULATORS TO BLACK (ECN# 1334)	3/19/03	T CLARK
D	ECN# 2194: CHANGED INSTRUCTION SHEET AND CABLE SPECIFICATION	9/7/05	J. KIEZULAS



MODEL NUMBER	LENGTH	
	(FEET)	(METERS)
CS2H15MM-2.5	2.5	0.76
CS2H15MM-5	5.0	1.52
CS2H15MM-6	6.0	1.83
CS2H15MM-10	10.0	3.05
CS2H15MM-12	12.0	3.66
CS2H15MM-15	15.0	4.57
CS2H15MM-25	25.0	7.62
CS2H15MM-50	50.0	15.24

SPECIFICATIONS:

WIRING: STRAIGHT THROUGH, PIN TO PIN, ALL PINS.

SHIELD: DRAIN WIRE TIED TO CONNECTOR SHELLS

ELECTRICAL:

VOLTAGE RATING: 30V
DIELECTRIC STRENGTH: 1500V

MATERIALS:

CONNECTORS:

INSULATORS: THERMOPLASTIC, UL 94V-0, BLACK
CONTACTS: COPPER ALLOY, GOLD OVER NICKEL
SHELLS: STEEL, TIN PLATED

HOOD MOLDINGS: PVC, LIGHT GRAY

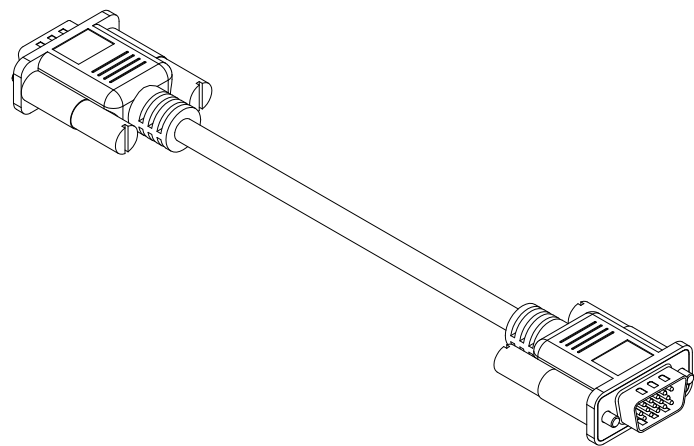
INTERNAL SHIELD: (360°) STEEL BOX SHIELD OVER PRE-MOLD
SOLDERED TO D-SUB SHELL

CABLE: U.L. STYLE 2919 15 CONDUCTORS 26 AWG STRANDED TINNED COPPER
OVERALL SHIELD: ALUMINIZED POLYESTER WITH DRAIN WIRE (100%) PLUS
TINNED COPPER BRAID SHIELD

JACKET: PVC, LIGHT GRAY

HARDWARE: 4-40 THREAD, STEEL OR BRASS, NICKEL PLATED

[\[REFERENCE L-COM CABLE SPECIFICATION CS2N-LCS\]](#)



UNLESS OTHERWISE SPECIFIED,
DIMENSIONS ARE IN INCHES
TOLERANCES ARE:
X ±.1
XX ±.05
XXX ±.005
CABLE LENGTH TOLERANCE
≤300" ±5% >300" ±2%

APPROVALS	DATE
DRAWN BY TJC	9/28/01
CHECKED BY DFP	9/28/01
APPROVED BY RC	10/3/01

CONFIGURATION DETAILS OF
UNDIMENSIONED FEATURES
MAY VARY

L-com
CONNECTIVITY PRODUCTS
45 BEECHWOOD DRIVE
NORTH ANDOVER, MA
01845

PRODUCT DESCRIPTION PREMIUM DATA CABLE			
DRAWING TITLE OUTLINE DRAWING			
SIZE A	FSCM NO. 43321	DWG. NO. CS2H15MM-2.5-OD1	REV. D
SCALE: NONE	CAD FILE: CS2H15MM-2.5-OD1.SLDRW	SHEET 1 OF 1	

X-ON Electronics

Largest Supplier of Electrical and Electronic Components

Click to view similar products for [USB Cables / IEEE 1394 Cables](#) category:

Click to view products by [L-Com](#) manufacturer:

Other Similar products are found below :

[68768-0173](#) [FNY-W6003-01](#) [88764-0800](#) [13805532](#) [148700-1](#) [17-200621](#) [17-250051P](#) [954](#) [AC102012-2](#) [IP-USB1\(C10\)S-RW](#)
[CABLE/RTP/USB/DT](#) [10115240-12200LF](#) [RS232-GTD](#) [USBFTVX2SA2N03A](#) [USBFTV2SA2N03A](#) [1689404-1](#) [FTP-629Y401](#) [FTP-](#)
[628Y402](#) [943301-001](#) [FNY-W6022](#) [FNY-W6003-03](#) [1310-1015-05](#) [1310-1018-04](#) [1310-1019-04](#) [0887283402](#) [UA-30AMFM-SL7B02](#) [UA-](#)
[30AMFM-SL7B01](#) [UA-30AFM-LD7B03](#) [UA-30AMFM-SL7B03](#) [USBAPSCC7202A](#) [UES-1001A160](#) [UES-1003A160](#)
[USBFTVX7SA2N20A](#) [USBFTVX2SA2N20A](#) [USBFTV2PEMSA2N10A](#) [FTP-629Y602](#) [USBCAMCM100](#) [USB A/F*2 to 2.54 2*5P-SH](#)
[L=400mm](#) [EP-CBUSB10P2FLT](#) [1310-1033-01](#) [1310-1037-04](#) [ASR-USB](#) [68784-0075](#) [17-241361](#) [17-230471](#) [217B-BC02](#) [USB-29](#) [19800-](#)
[010500-200-RS](#) [USB+MINI DIN 6P WITH BKT](#) [088738-8100](#)