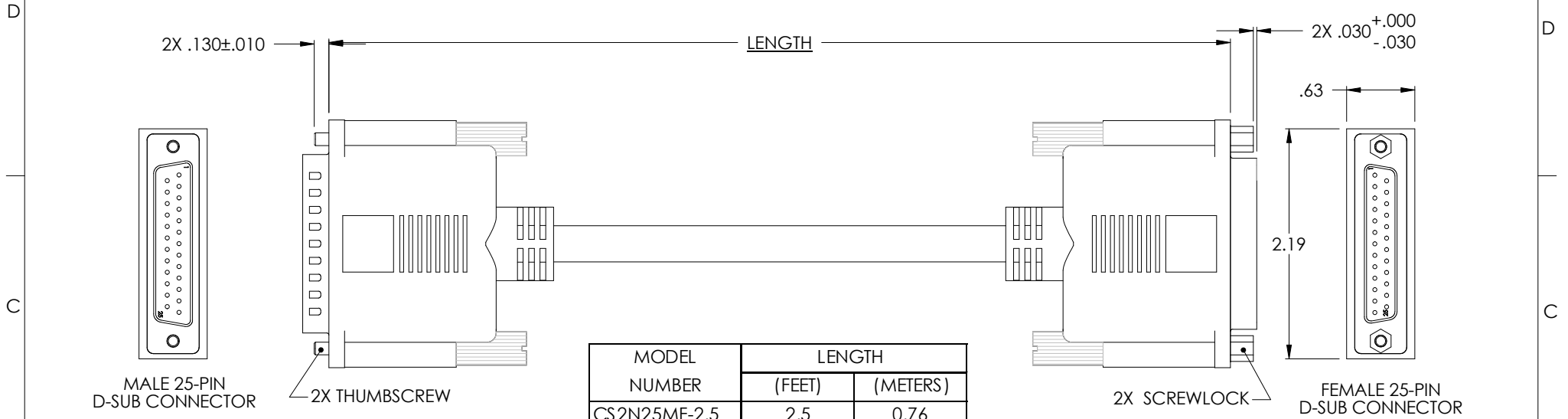


THE INFORMATION CONTAINED IN THIS DRAWING IS THE SOLE PROPERTY OF L-COM, INC. ANY REPRODUCTION IN PART OR WHOLE WITHOUT THE WRITTEN PERMISSION OF L-COM, INC. IS PROHIBITED.

REVISIONS			
REV	DESCRIPTION	DATE	APPROVED
C	CHANGED COLOR OF CONNECTOR INSULATORS TO BLACK (ECN# 1334)	3/21/03	T CLARK
D	ECN1966: 500 VAC WAS 1500VAC	2/3/05	DFF
E	ECN 2116: ADDED (2) ADDITIONAL THUMBSCREWS	6/30/05	J. KIEZULAS
F	ECN# 2194: CHANGED INSTRUCTION SHEET AND CABLE SPECIFICATION	7/9/05	J. KIEZULAS



MODEL NUMBER	LENGTH	
	(FEET)	(METERS)
CS2N25MF-2.5	2.5	0.76
CS2N25MF-5	5.0	1.52
CS2N25MF-6	6.0	1.83
CS2N25MF-10	10.0	3.05
CS2N25MF-12	12.0	3.66
CS2N25MF-15	15.0	4.57
CS2N25MF-25	25.0	7.62
CS2N25MF-50	50.0	15.24

**SPECIFICATIONS:**

WIRING: STRAIGHT THROUGH, PIN TO PIN, ALL PINS.

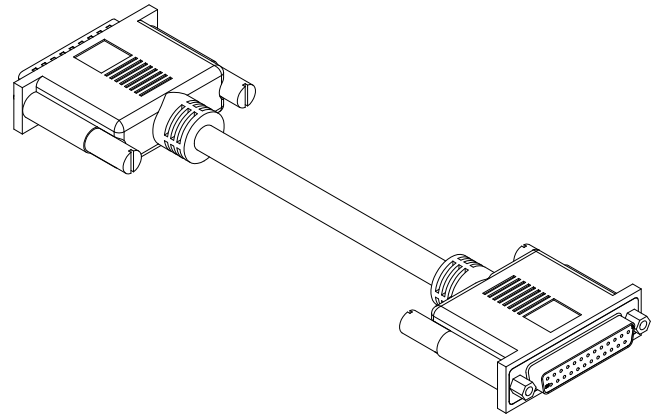
SHIELD: DRAIN WIRE TIED TO CONNECTOR SHELLS

ELECTRICAL:  
 VOLTAGE RATING: 30V  
 DIELECTRIC STRENGTH: 500VAC

MATERIALS:  
 CONNECTORS:  
 INSULATORS: THERMOPLASTIC, UL 94V-0, BLACK  
 CONTACTS: COPPER ALLOY, GOLD OVER NICKEL  
 SHELLS: STEEL, TIN PLATED  
 HOOD MOLDINGS: PVC, LIGHT GRAY  
 INTERNAL SHIELD: (360°) STEEL BOX SHIELD OVER PRE-MOLD SOLDERED TO D-SUB SHELL  
 CABLE: U.L. STYLE 2919 25 CONDUCTORS 26 AWG STRANDED TINNED COPPER  
 OVERALL SHIELD: ALUMINIZED POLYESTER WITH DRAIN WIRE (100%) PLUS TINNED COPPER BRAID SHIELD  
 JACKET: PVC, LIGHT GRAY  
 HARDWARE: 4-40 THREAD, STEEL OR BRASS, NICKEL PLATED

CABLE CONTAINS TWO ADDITIONAL MALE THUMBSCREWS PACKAGED IN A SEPARATE BAG AND INSTRUCTION SHEET **CS2N-INS**

[\(REFERENCE L-COM CABLE SPECIFICATION CS2N-LCS\)](#)



UNLESS OTHERWISE SPECIFIED, DIMENSIONS ARE IN INCHES. TOLERANCES ARE:  
 X ±.1  
 XX ±.05  
 XXX ±.005  
 CABLE LENGTH TOLERANCE  
 ≤300" ±5% >300" ±2%

APPROVALS	DATE
DRAWN BY TJC	9/27/01
CHECKED BY DFF	9/28/01
APPROVED BY RC	10/4/01

CONFIGURATION DETAILS OF UNDIMENSIONED FEATURES MAY VARY

**L-com**  
 CONNECTIVITY PRODUCTS

45 BEECHWOOD DRIVE  
 NORTH ANDOVER, MA  
 01845

PRODUCT DESCRIPTION  
**PREMIUM DATA CABLE ASSEMBLY**

DRAWING TITLE  
**OUTLINE DRAWING**

SIZE <b>A</b>	FSCM NO. <b>43321</b>	DWG. NO. <b>CS2N25MF-2.5-OD1</b>	REV. <b>F</b>
------------------	--------------------------	-------------------------------------	------------------

SCALE: NONE | CAD FILE: CS2N25MF-2.5-OD1.SLDDRW | SHEET 1 OF 1

## X-ON Electronics

Largest Supplier of Electrical and Electronic Components

*Click to view similar products for [USB Cables / IEEE 1394 Cables](#) category:*

*Click to view products by [L-Com](#) manufacturer:*

Other Similar products are found below :

[68768-0173](#) [FNY-W6003-01](#) [88764-0800](#) [13805532](#) [148700-1](#) [17-200621](#) [17-250051P](#) [954](#) [AC102012-2](#) [IP-USB1\(C10\)S-RW](#)  
[CABLE/RTP/USB/DT](#) [10115240-12200LF](#) [RS232-GTD](#) [USBFTVX2SA2N03A](#) [USBFTV2SA2N03A](#) [1689404-1](#) [FTP-629Y401](#) [FTP-](#)  
[628Y402](#) [943301-001](#) [FNY-W6022](#) [FNY-W6003-03](#) [1310-1015-05](#) [1310-1018-04](#) [1310-1019-04](#) [0887283402](#) [UA-30AMFM-SL7B02](#) [UA-](#)  
[30AMFM-SL7B01](#) [UA-30AFM-LD7B03](#) [UA-30AMFM-SL7B03](#) [USBAPSCC7202A](#) [UES-1001A160](#) [UES-1003A160](#)  
[USBFTVX7SA2N20A](#) [USBFTVX2SA2N20A](#) [USBFTV2PEMSA2N10A](#) [FTP-629Y602](#) [USBCAMCM100](#) [USB A/F\\*2 to 2.54 2\\*5P-SH](#)  
[L=400mm](#) [EP-CBUSB10P2FLT](#) [1310-1033-01](#) [1310-1037-04](#) [ASR-USB](#) [68784-0075](#) [17-241361](#) [17-230471](#) [217B-BC02](#) [USB-29](#) [19800-](#)  
[010500-200-RS](#) [USB+MINI DIN 6P WITH BKT](#) [088738-8100](#)