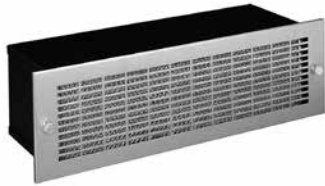


RACK-MOUNTABLE FAN PACKAGE



INDUSTRY STANDARDS

UL Component Recognized; File No. E61997

EIA RS-310-D
 CSA certified
 (blower motor only)

APPLICATION

For enclosure or 19-in. rack applications, the Blower Fan Package provides the maximum amount of cooling air in the least amount of space by utilizing 115 volt AC, 60/50 hertz, single-phase input power. Engineered for 20,000 hours of continuous operation when properly powered.

FEATURES

- Intake grille is easily removed with two captive thumbnuts
- Washable aluminum filter
- Single phase motor powers the statically balanced blower
- Motor is thermally protected and cooled by incoming forced air
- Direct drive induction motor contains permanently lubricated ball bearings
- Lubricant protects from -20 F to 298 F (-29 C to 148 C)

- Rotating components are suspended on neoprene shock-mounts
- Three-conductor power cord (five feet long)
- The unit is self-supporting with 16 gauge steel flanges notched per EIA RS-310-D.
- An exhaust grille and filter package (catalog number AEXGR275) is required and must be ordered separately

SPECIFICATIONS

- 16 gauge steel housing

FINISH

- Blower housing is black enamel.
- Grille is brushed stainless steel.

ACCESSORIES

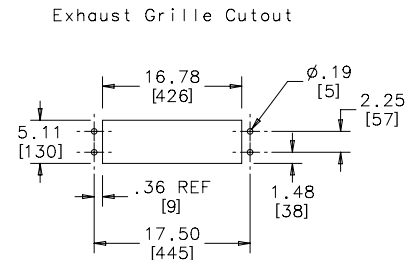
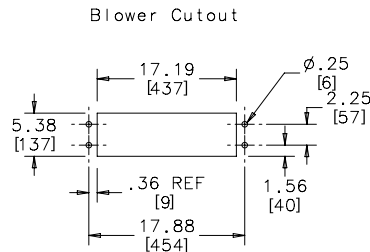
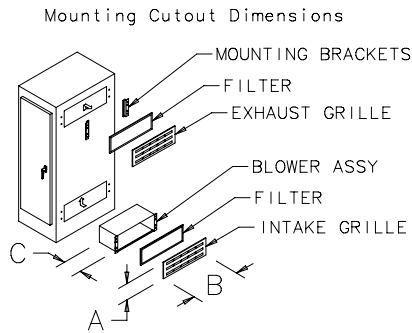
Exhaust Grille and Filter
 Filter Adhesive
 Temperature Control Switch

Performance Data **Rack-Mountable Fan Package**

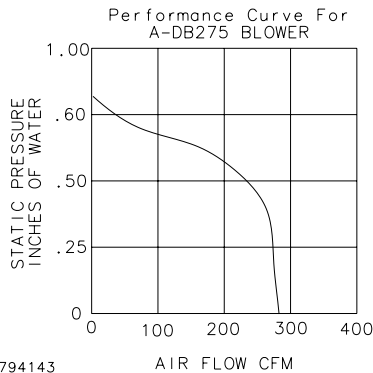
CATALOG NUMBERS	
	ADB275
ELECTRICAL DATA	
Rated Voltage	115
Frequency	50/60
Free Airflow (CFM)	230/275
RPM	2580/3100
Nominal Current Maximum (Amps)	1.2
Power Consumption (Watts)	84
SOUND LEVEL	
Sound Pressure (dBA)	56
UNIT CONSTRUCTION	
Weight (lb./kg)	15/7
EXHAUST GRILLE CATALOG NUMBERS	
Catalog Number	AEXGR275*

* Exhaust grille sold separately

Rack-Mountable Fan Package

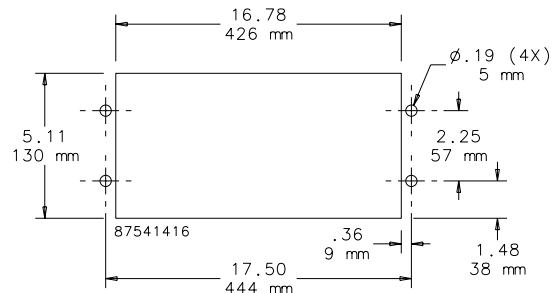


87541398



87794143

EXHAUST GRILLES AND REPLACEMENT FILTERS



CUTOUT DIMENSIONS

Located at air discharge side of an enclosure using Blower Package ADB275. Polished stainless steel grille is 65 percent open and offers low resistance to airflow. Expanded aluminum filter (included with each grille) is easily removed for cleaning from outside the enclosure. Mounting hardware is furnished.

Performance Data Exhaust Grilles and Replacement Filters for Rack-Mountable Fan Package

CATALOG NUMBERS	
UNIT CONSTRUCTION	AEXGR275
Dimensions H x W (in./mm)	5.75/146 x 19.00/483
Filter Size (in./mm)	4.98/126 x 16.56/421
ACCESSORIES	
Replacement Filters:	
Catalog Number	AFLTR275AL
Description	Aluminum Filter Replacement [5 per package]

X-ON Electronics

Largest Supplier of Electrical and Electronic Components

Click to view similar products for [hoffman manufacturer](#):

Other Similar products are found below :

[A-1412CHQR](#) [CSD201610](#) [CSD20168SS](#) [CSD20206](#) [CSD20208SS](#) [CSD24168](#) [CSD36248](#) [PCU7](#) [PDS76R](#) [PRA197TP](#) [PT126](#)
[A1008CHNFSS](#) [A10106CH](#) [A10106CHFL](#) [A10106PHCW](#) [A1066JFGQRR](#) [A1210CHNF](#) [A1212SC](#) [A1412CHNFSS](#) [A161208LP](#)
[A161410CH](#) [A16H12ALP](#) [A16P14](#) [A16P16G](#) [A18P16AL](#) [A20H16BLP](#) [A20P16](#) [A24H2408SSLP](#) [Q13138PCE](#) [A404CH](#) [A606CHNF](#)
[A606NF](#) [A806SC](#) [A845JFGR](#) [A864CHQRFGW](#) [A90P36F1](#) [HJ1412HWPL2LG](#) [HJ1816HWPL2LG](#) [RHJ1210HWPL2LG](#) [AS125SS](#)
[ASE10X10X4](#) [ASE12X12X4](#) [E1PBG](#) [E2PBG](#) [E3PB](#) [LED24V15](#) [LF230VD](#) [A10106PHC](#) [A10P8SS](#) [A1210CHEMC](#)