

High temperature solder exemption - In accordance with RoHS 2002/95/EC Annex 7

Standard Specifications

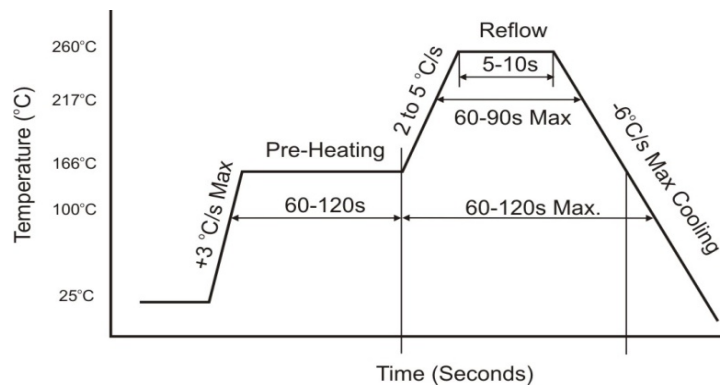
Parameter	Symbol	Specification	Remarks
Frequency Range	f_0	3.50 to 70.00 MHz	
Frequency Tolerance	$\Delta f/f$	± 30 PPM	at 25°C with 100 μ W
Frequency Stability	Over OTR	± 50 PPM (Standard)	
Operating Temperature Range	T_{OPR}	-40°C to +85°C	See Table
Storage Temperature Range	T_{STG}	-55°C to +125°C	
Load Capacity	C_L	30pF (Std value)	Please specify
Drive-Level	D_L	100.0 μ W Typ.	0.5mW Max
Shunt Capacitance	C_0	7.0pF Typ.	
Dynamic Capacitance	C_1	20.0fF Typ.	
Ageing	Fa	± 5.0 PPM	at 25°C $\pm 3^\circ$ C 1st Year

Additional Specifications

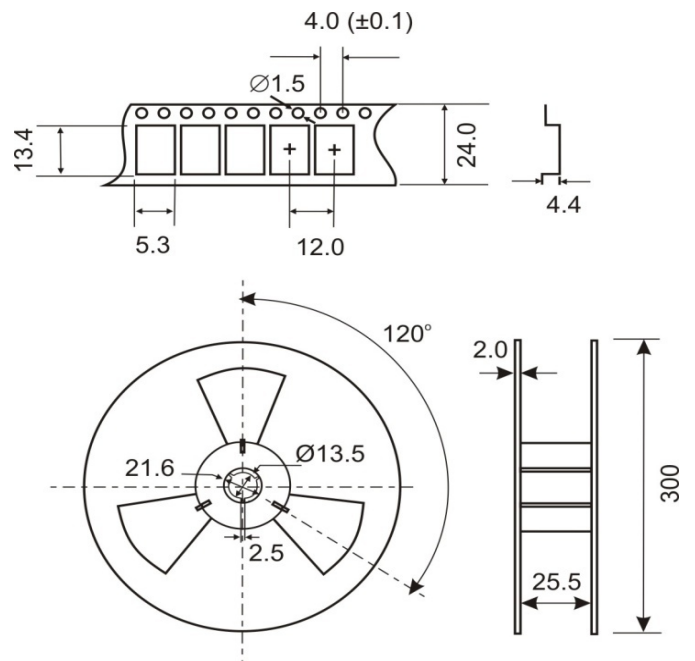
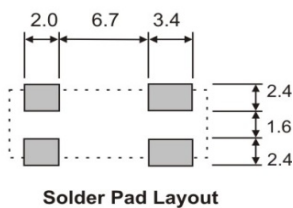
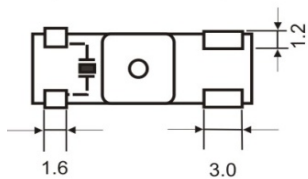
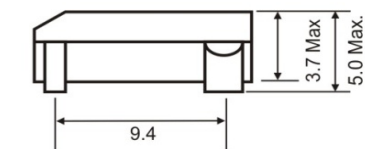
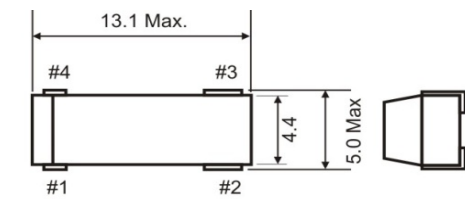
Freq Range	Mode	ESR
3.50 to 3.99 MHz	Fundamental	200 Ω
4.00 to 5.99 MHz	Fundamental	150 Ω
6.00 to 9.99 MHz	Fundamental	100 Ω
10.00 to 30.00 MHz	Fundamental	50 Ω
30.00 to 35.99 MHz	3rd Overtone	100 Ω
36.00 to 70.00 MHz	3rd Overtone	80 Ω

Note: Do not connect pins #2 and #3 externally
Suitable for automotive & AV applications

Reflow Solder Condition



Dimensions (mm)



X-ON Electronics

Largest Supplier of Electrical and Electronic Components

Click to view similar products for [ael manufacturer](#):

Other Similar products are found below :

[O16M000000L021](#) [X9M830400L035](#) [O25M000000L684](#) [O100M000000L010](#) [O20M000000L046](#) [O64M000000L153](#)
[E3SB16.0000F09G11AE](#) [O25M000000L063](#) [X14M000000L001](#) [O3M686400L120](#) [O25M000000L059](#) [X5M000000L001](#) [X9M830400L152](#)
[O40M000000L125](#) [X4M194304L056](#) [X50M000000L001](#) [X12M000000L188](#) [X4M608000L075](#) [O32M000000L097](#) [O40M000000L126](#)
[X15M000000L002](#) [O4M000000L134](#) [O8M000000L166](#) [O20M000000L676](#) [X32K768S021](#) [X307K200L001](#) [X40M000000L104](#)
[O8M000000L642](#) [C8M000000L004](#) [X1M843200L010](#) [C4M000000L001](#) [X19M660800L307](#) [X20M000000L010](#) [X32K768S019](#)
[X7M372800L027](#) [O10M000000S023](#) [X32K768L009](#) [C8M000000S014](#) [C16M000000L003](#) [X32K768L104](#)